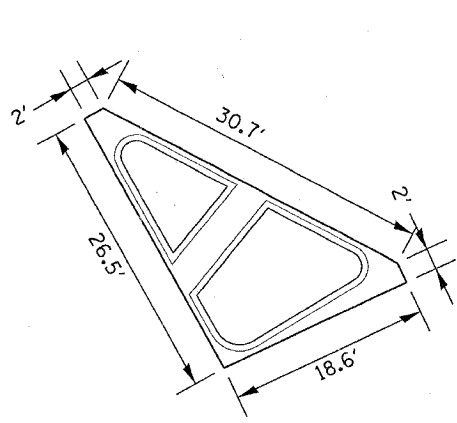
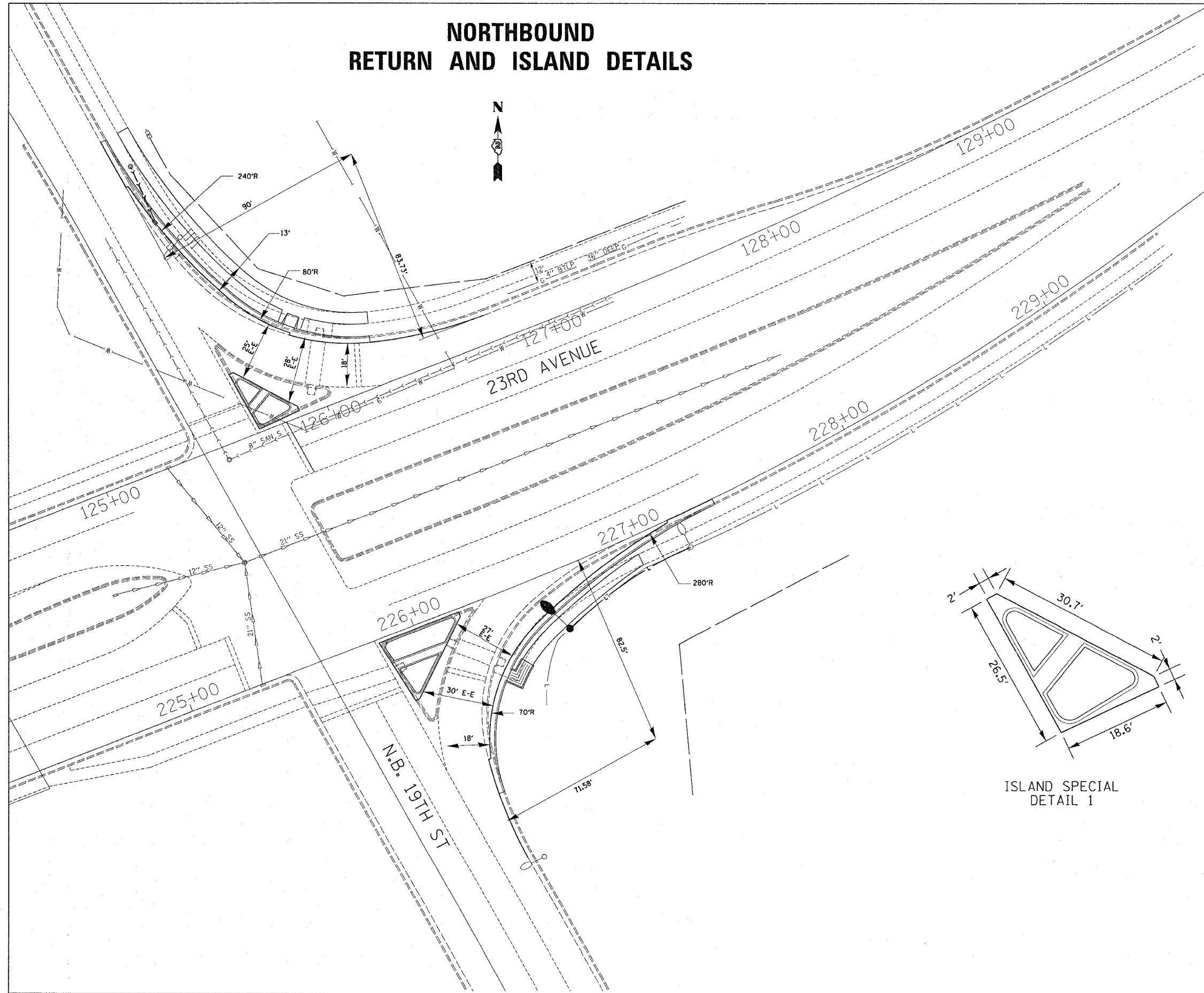
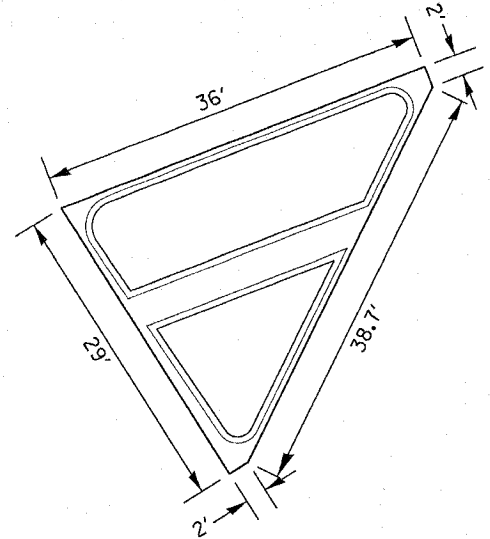


# NORTHBOUND RETURN AND ISLAND DETAILS

F.A.I. RTE.	SECTION	COUNTY	TOTAL SHEETS	SHEET NO.
74	81-ITS-1	ROCK ISLAND	16	8
STA.		TO STA.		
FED. ROAD DIST. NO.		ILLINOIS	FED. AID PROJECT	
CONTRACT NO. 64A39				



ISLAND SPECIAL  
DETAIL 1



ISLAND SPECIAL  
DETAIL 2

PLOT DATE = Thu Feb 18 13:08:47 2005  
 FILE NAME = c:\p\proj\mca\228\94\c8894.dgn  
 PLOT SCALE = 28.0000' / 1" IN.  
 REFERENCE = #REF#

**BUTT JOINT**