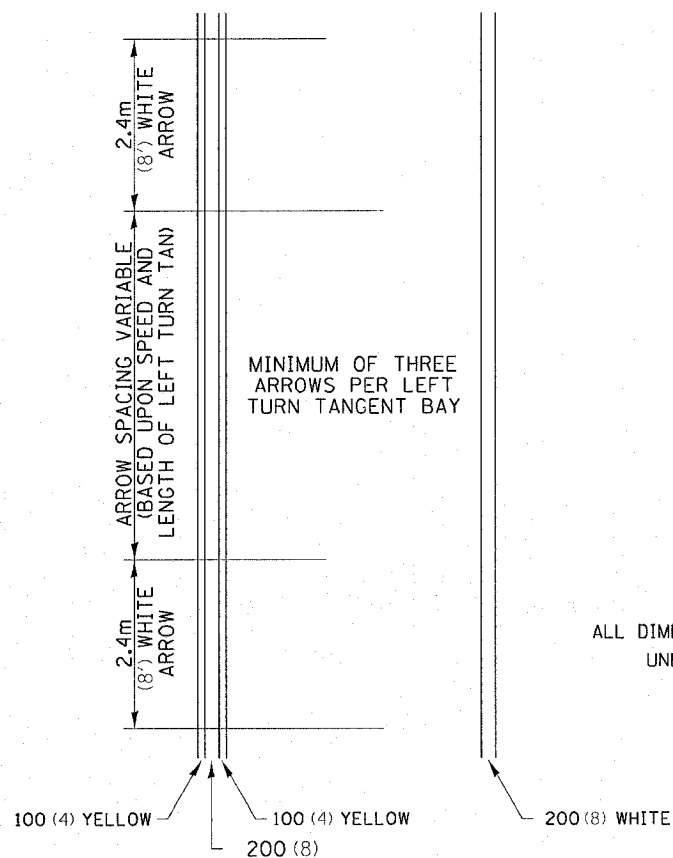


F.A.I. RTE.	SECTION	COUNTY	TOTAL SHEETS	SHEET NO.
74	BI-ITS-1	ROCK ISLAND	16	16
STA. TO STA.				
FED. ROAD DIST. NO.			ILLINOIS FED. AID PROJECT	

TYPICAL PAVEMENT MARKINGS

ARROW LAYOUT



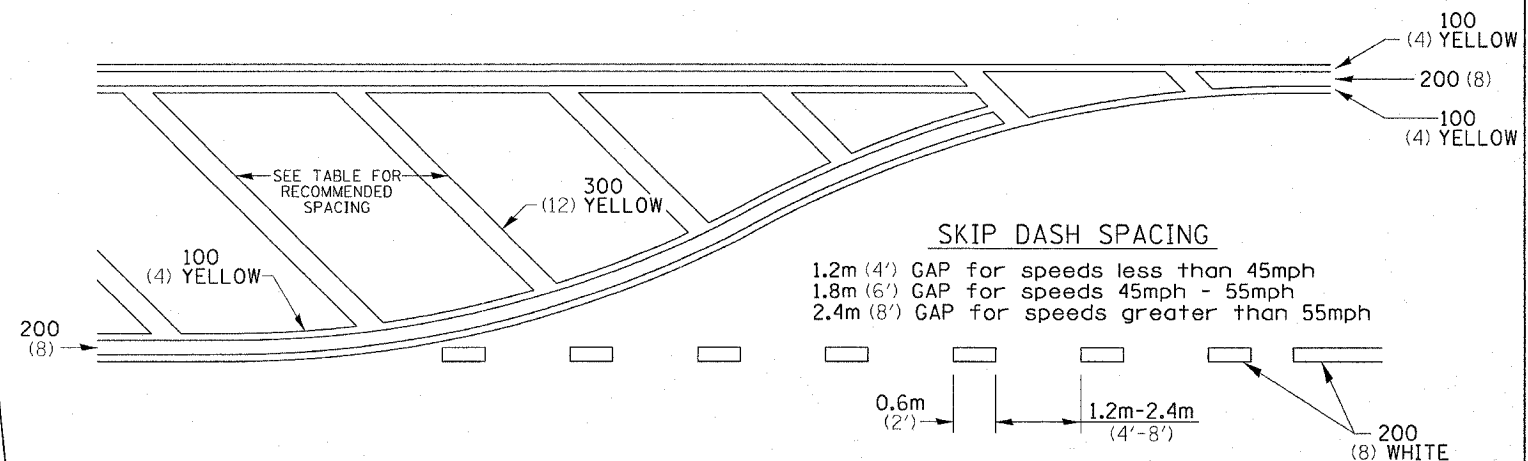
- ▲ ONE-WAY AMBER MARKER
- △ ONE-WAY CRYSTAL MARKER
- ◆ TWO-WAY AMBER MARKER

ALL DIMENSIONS ARE IN MILLIMETERS (INCHES) UNLESS OTHERWISE NOTED.

12.2m
6 at (40') O.C.
APPROACH SIDE ONLY

See Typical Drawing at right

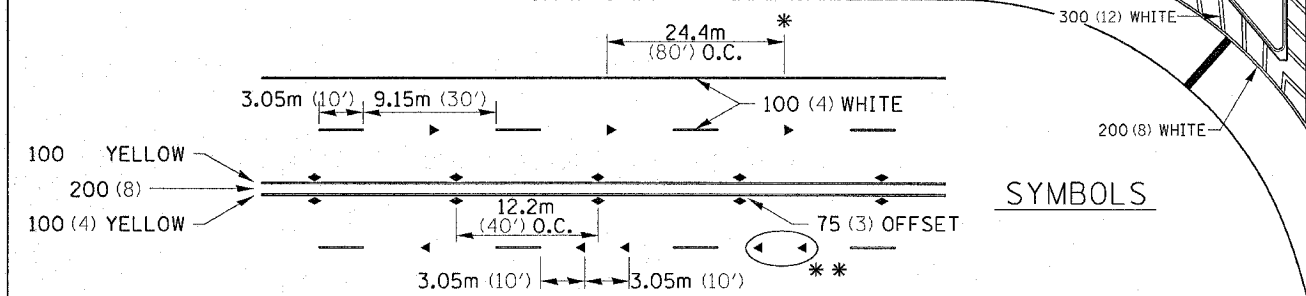
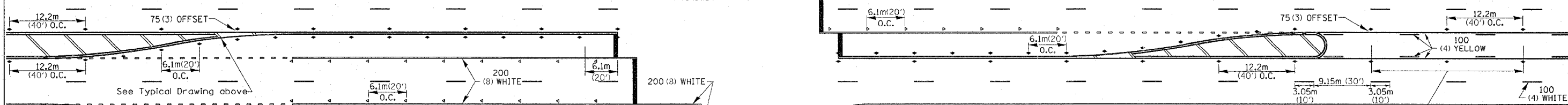
TYPICAL PAVEMENT MARKING FOR FLUSH MEDIAN



RECOMMENDED SPACING BETWEEN DIAGONALS (IN FEET)

Speed Limit Range	Continuous Median Area	Intersection Channelization	Objects (Islands)
less than 50km/H (30MPH)	15.3m (50')	4.53m (15')	3.05m (10')
50-60km/H (30-40MPH)	22.9m (75')	6.1m (20')	4.53m (15')
70km/H (45MPH) & over	22.9m (75')	9.05m (30')	6.1m (20')

NOTE: if the spacing recommended in the Table does not permit at least five diagonal lines in the area being marked, the spacing from the next lowest speed range should be used. The recommended spacing is measured parallel to the pavement center line.



- * REDUCE TO 12.2m (40') O.C. ON CURVES WHERE ADVISORY SPEEDS ARE 15km/H (10MPH) LOWER THAN POSTED SPEEDS.
- ** USE DOUBLE MARKERS WHEN ADT ≥ 25,000

MULTI-LANE / UNDIVIDED

SYMBOLS

See Typical Drawing above

12.2m
6 at (40') O.C.
APPROACH SIDE ONLY

TYPICAL PAVEMENT MARKING FOR TWO LANE SECTION - NO PASSING ZONES

