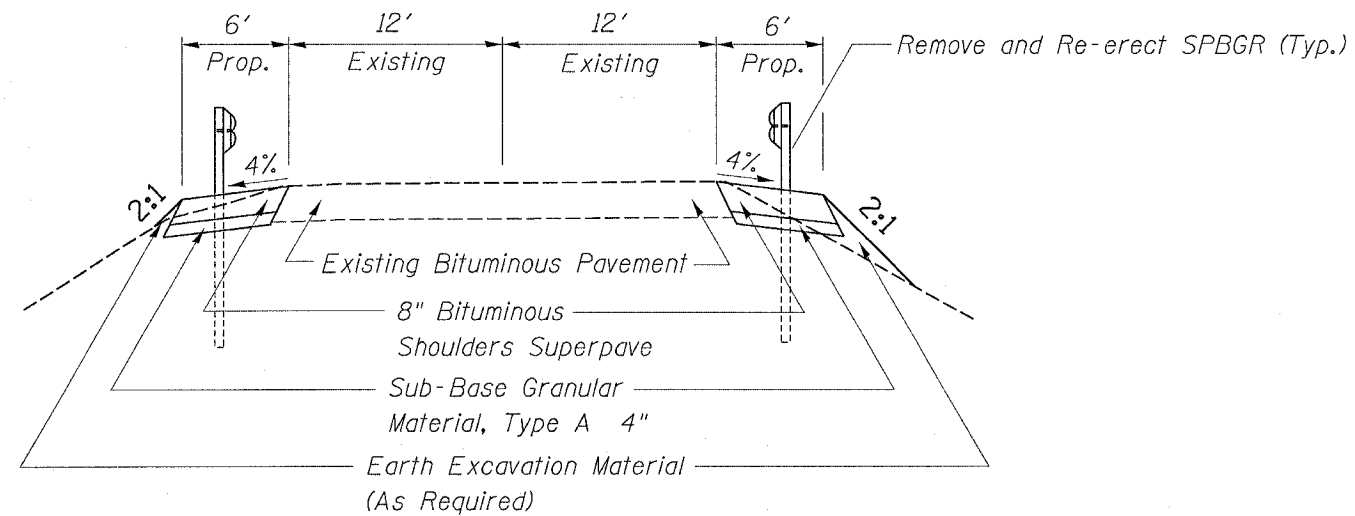


CONTRACT NO. 64A85				
F.A.S. RTE.	SECTION	COUNTY	TOTAL SHEETS	SHEET NO.
2079	16BR-M	OGLE	14	3
STA.		TO STA.		
FED. ROAD DIST. NO.		ILLINOIS FED. AID PROJECT		

# TYPICAL SECTIONS

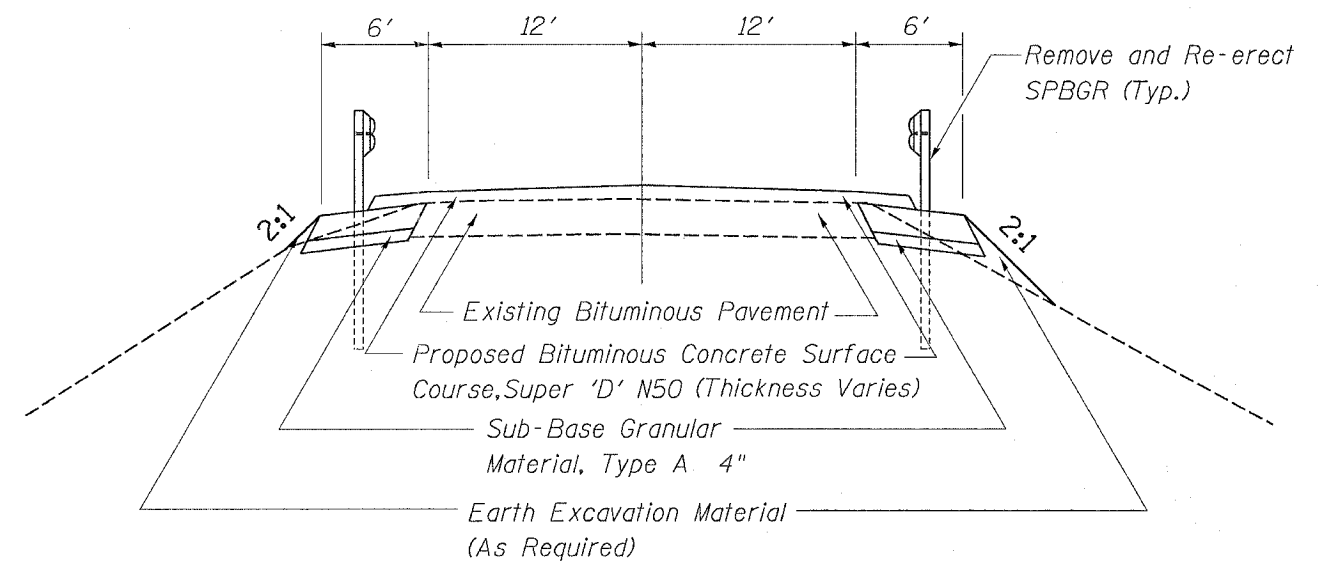
Sta. 969+35 to 969+87

Sta. 973+12 to 973+70



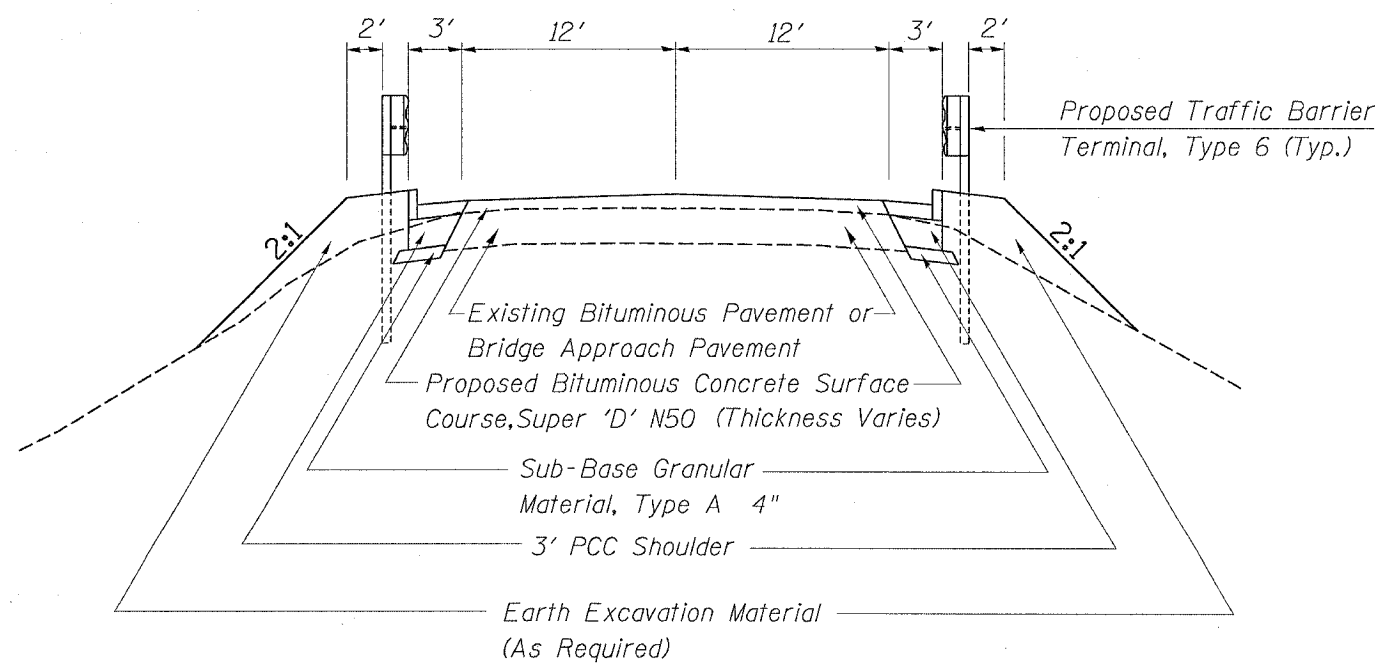
Sta. 969+87 to 970+52

Sta. 972+48 to 973+12



Sta. 970+52 to 970+87

Sta. 972+13 to 972+48



TYPICAL SECTIONS  
 US 52 OVER ELKHORN CREEK  
 FAS ROUTE 2079 (US 52)  
 SECTION 16BR-M  
 OGLE COUNTY  
 STRUCTURE NUMBER 071-0070

PLOT DATE = 11/15/08 08:05:25 2008  
 FILE NAME = C:\WORK\0811\08110710070.dgn  
 PLOT SCALE = 50.0000 / IN.  
 REFERENCE = REF#