

F.A.S. RTE.	SECTION	COUNTY	TOTAL SHEETS	SHEET NO.
2079	16BR-M	OGLE	14	6
STA.		TO STA.		
FED. ROAD DIST. NO.	ILLINOIS	FED. AID PROJECT		

General Notes

Plan dimensions and details relative to existing structure have been taken from existing plans and are subject to nominal construction variations. It shall be the Contractor's responsibility to verify such dimensions and details in the field and make necessary approved adjustments prior to construction or ordering of materials. Such variations shall not be cause for additional compensation for a change in the scope of the work, however, the Contractor will be paid for the quantity actually furnished at the unit price bid for the work.

All structural steel shall be AASHTO M 270 Grade 36, unless otherwise noted.

Reinforcement bars shall conform to the requirements of AASHTO M31, or M322 Grade 60.

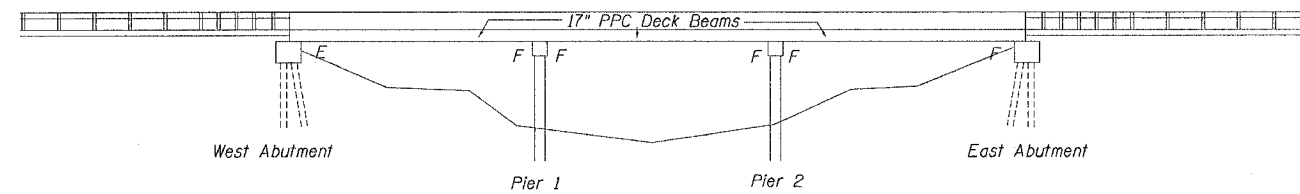
Existing reinforcement bars extending into the removal area shall be cleaned, straightened and incorporated into the new construction. Any reinforcement bars that are damaged during concrete removal shall be replaced with an approved bar splicer or anchorage system. Cost included with Concrete Removal.

Joint openings shall be adjusted according to Article 503.10(c) of the Standard Specifications when the deck is poured at an ambient temperature other than 50° F.

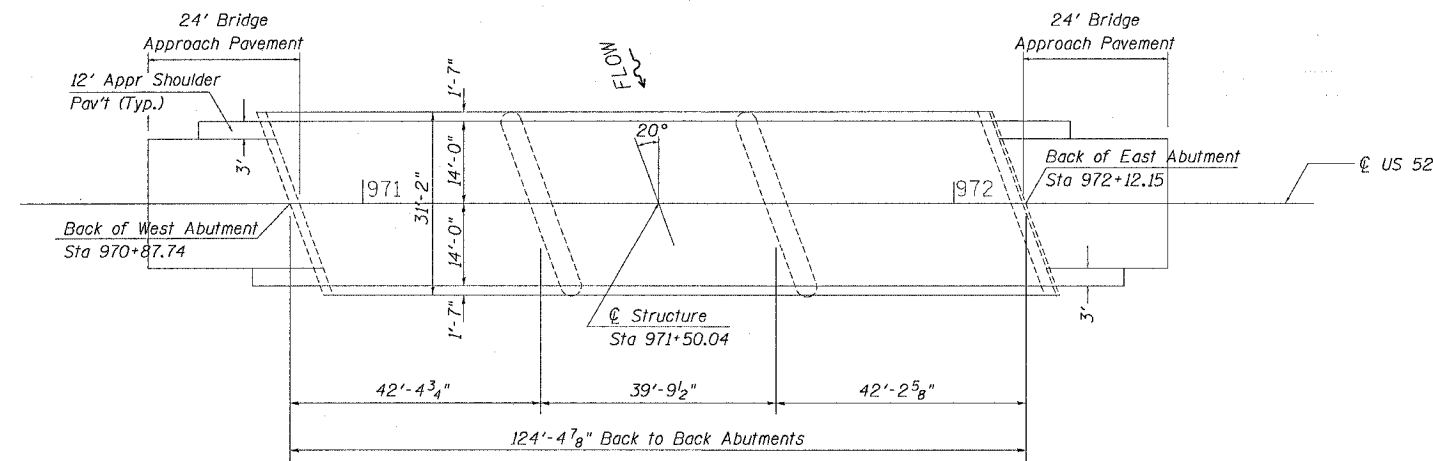
All structural steel shall be shop painted with the inorganic zinc rich primer per AASHTO M 300, Type 1. Cost included with Furnishing and Erecting Structural Steel.

Total Bill of Materials

ITEM	UNIT	QUANTITY
BAR SPLICERS	EA	130
BIT CONC SURF REMOVAL COMPLETE	SQ YD	379
CONC WEARING SURF 4"	SQ YD	372
BR DECK GROOVING	SQ YD	345
CONC SUPERSTRUCTURE	CU YD	3.3
CONC REMOVAL	CU YD	2.9
F&E STRUCT STEEL	POUND	418
REINF BARS, EPOXY CTD	POUND	5176
KEYWAY REPAIR	FOOT	960
DOWEL REPAIR	EA	90
BEARING PAD ADJUSTMENT	EA	78
BRIDGE JOINT SYSTEM (EXPANSION), 1 ⁵ / ₈ "	FOOT	31
PROTECTIVE COAT	SQ YD	372
FLOOR DRAIN EXTENSION	EA	12



Elevation



Plan

GENERAL PLAN AND ELEVATION
 US 52 OVER ELKHORN CREEK
 FAS ROUTE 2079 (US 52)
 SECTION 16BR-M
 OGLE COUNTY
 STRUCTURE NUMBER 071-0070