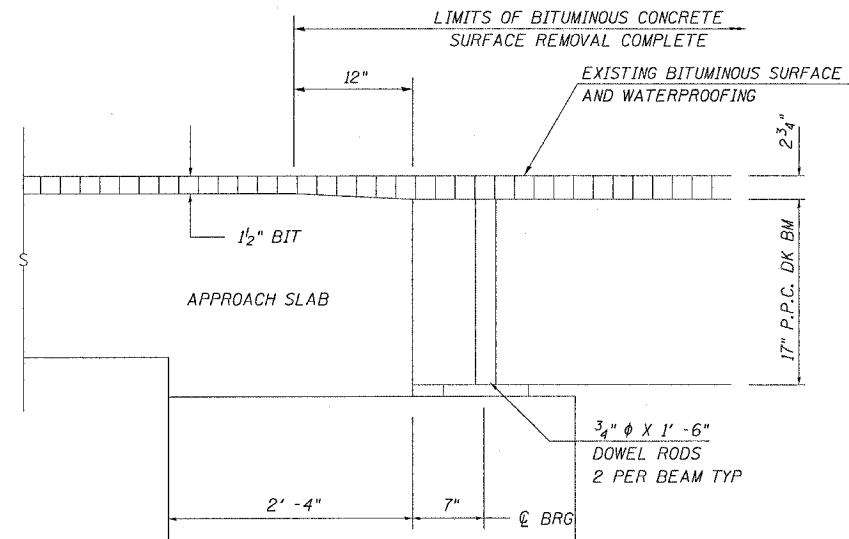
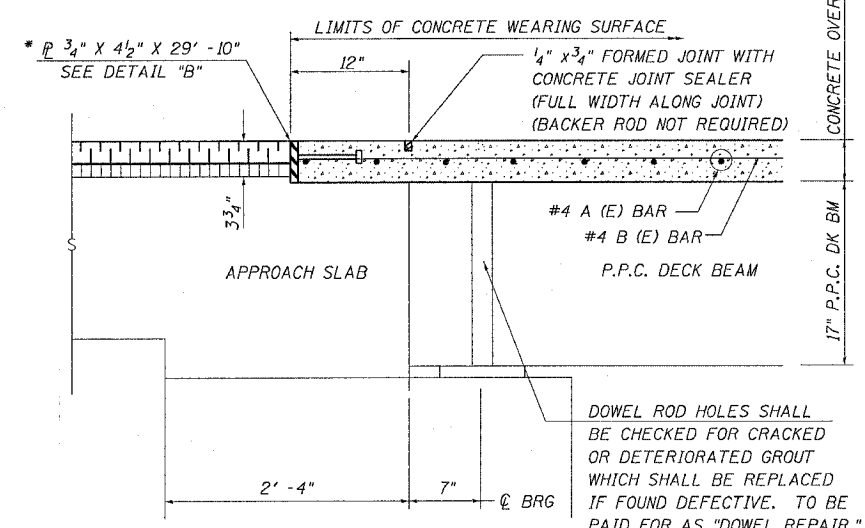


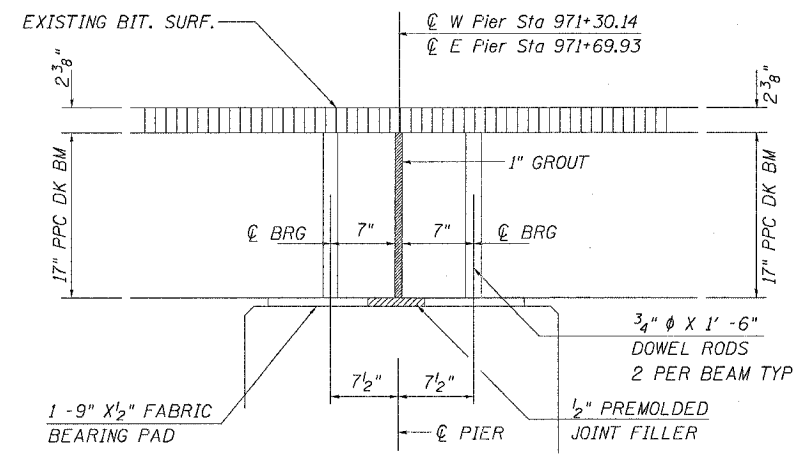
| F.A.S. RTE. | SECTION | COUNTY | TOTAL SHEETS | SHEET NO. |
|---------------------|---------|---------------------------|--------------|-----------|
| 2079 | 16BR-M | OGLE | 14 | 8 |
| STA. | | TO STA. | | |
| FED. ROAD DIST. NO. | | ILLINOIS FED. AID PROJECT | | |



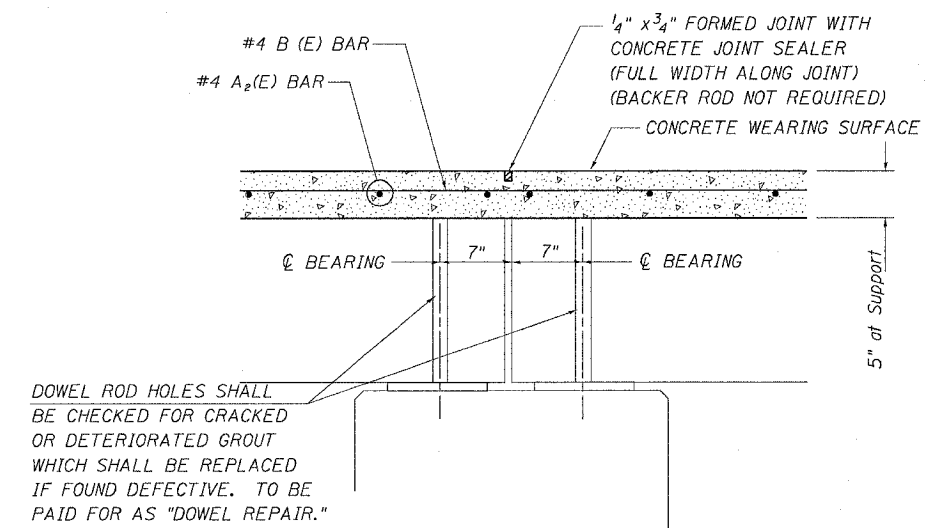
EXISTING SECTION THRU EAST ABUTMENT



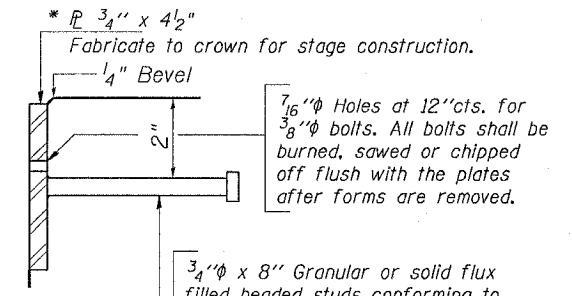
PROPOSED SECTION THRU EAST ABUTMENT



EXISTING SECTION THRU PIER

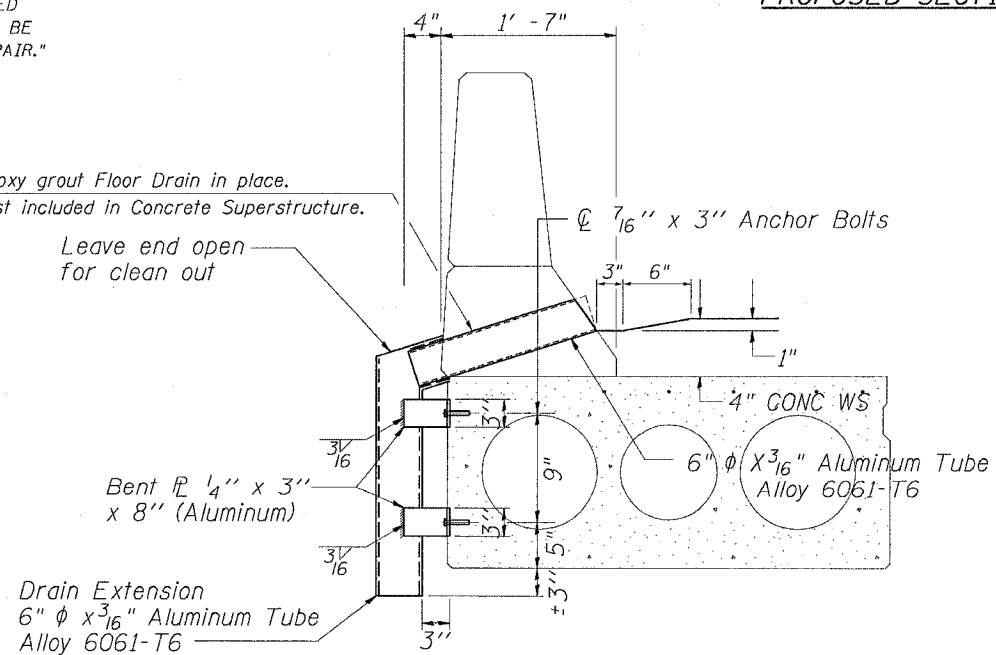


PROPOSED SECTION THRU PIER

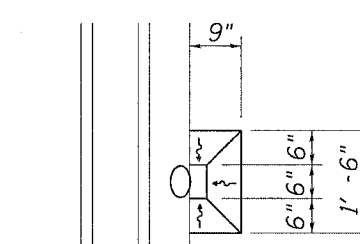


DETAIL "B"

Epoxy grout Floor Drain in place.
Cost included in Concrete Superstructure.
Leave end open for clean out



SECTION AT FLOORDRAIN



PLAN VIEW AT DRAIN

NOTE: EXISTING REINFORCEMENT BARS & COIL LOOP ANCHOR DEVICES EXTENDING INTO THE REMOVAL AREAS SHALL BE CLEANED, STRAIGHTENED AND INCORPORATED INTO THE NEW CONSTRUCTION. ANY REINFORCEMENT BARS OR COIL LOOPS THAT ARE DAMAGED DURING CONCRETE REMOVAL SHALL BE REPLACED WITH APPROVED BAR SPLICER OR ANCHORAGE SYSTEM. COST INCLUDED WITH CONCRETE REMOVAL.

FIXED JOINT AND FLOORDRAIN DETAILS
US 52 OVER ELKHORN CREEK
FAS ROUTE 2079 (US 52)
SECTION 16BR-M
OGLE COUNTY
STRUCTURE NUMBER 071-0070