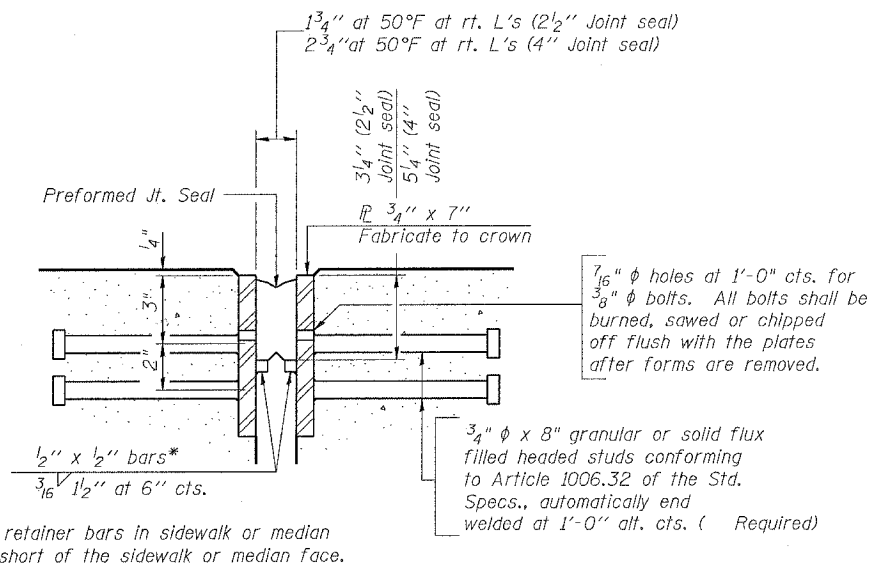


STATE OF ILLINOIS
DEPARTMENT OF TRANSPORTATION

FAS	SECTION	COUNTY	TOTAL SHEETS	SHEET NO.	SHEET NO. 5 7 SHEETS
2079	**	OGLE	14	10	
FED. ROAD DIST. NO. 7		ILLINOIS		FED. AID PROJECT	

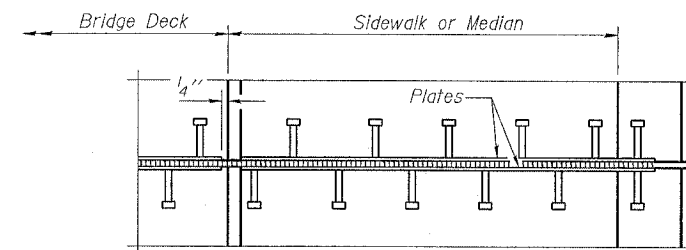
** 16BR-M



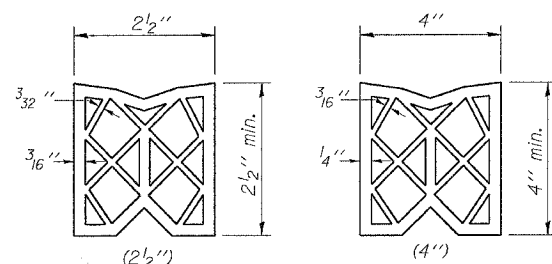
SECTION THRU EXPANSION JOINT
(2 1/2" and 4" joint seals)

Design Movement	Required Preformed Joint Seal Size	Required Strip Seal Rated movement
1"	2 1/2"	1"
1 5/8"	4"	2"

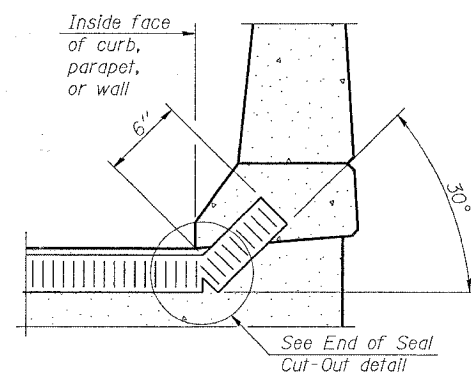
GENERAL NOTES
Furnish steel plates in segments of 20 feet maximum length. Maximum space between installed segments shall be 3/16". Seal space with silicone sealant suitable for structural steel.



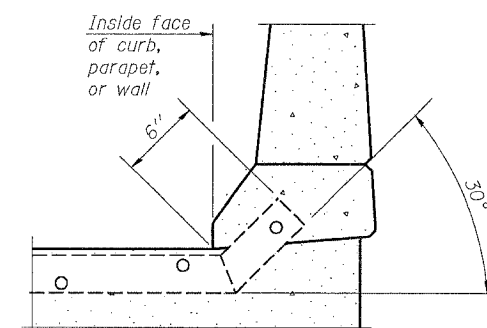
PLAN AT SIDEWALK OR MEDIAN



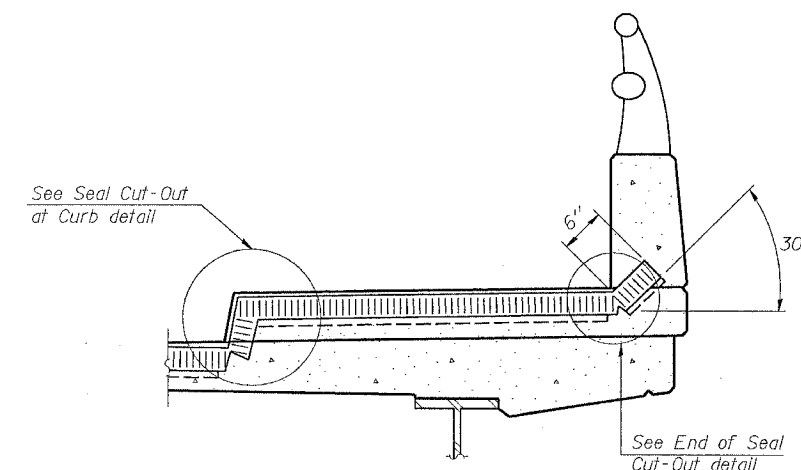
PREFORMED JOINT SEAL



AT CURB, PARAPET, OR WALL
(Showing seal)



AT CURB, PARAPET, OR WALL
(Showing plate)



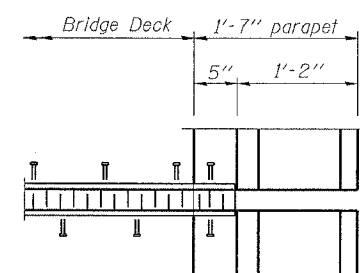
AT SIDEWALK OR MEDIAN*
(Showing plate and seal)

* Shorter plates with a single row of studs at 12" centers may be necessary on medians which are shallower than 9". See manufacturer's recommendation.

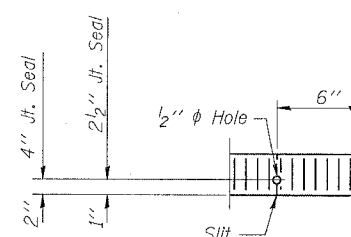
TYPICAL END TREATMENTS

BILL OF MATERIAL

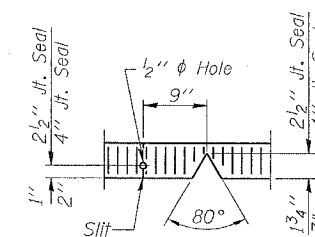
Item	Unit	Total
Bridge Joint System (Expansion) 1 5/8"	foot	31



PLAN AT PARAPET



END OF SEAL CUT-OUT



SEAL CUT-OUT AT CURB

DESIGNED -	200
CHECKED -	EXAMINED
DRAWN -	PASSED
CHECKED -	ENGINEER OF BRIDGES AND STRUCTURES

EJ-BJS 10-22-04

(Sheet 1 of 2)
BRIDGE JOINT SYSTEM - EXPANSION
(PREFORMED JOINT SEAL)
US 52 OVER ELKHORN CREEK
FAS ROUTE 2079 (US 52)
SECTION 16BR-M
OGLE COUNTY
STRUCTURE NUMBER 071-0070