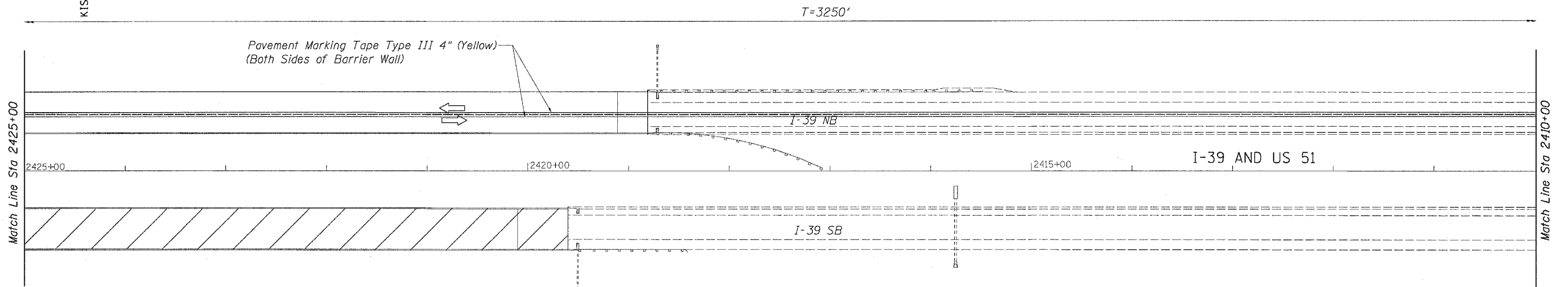
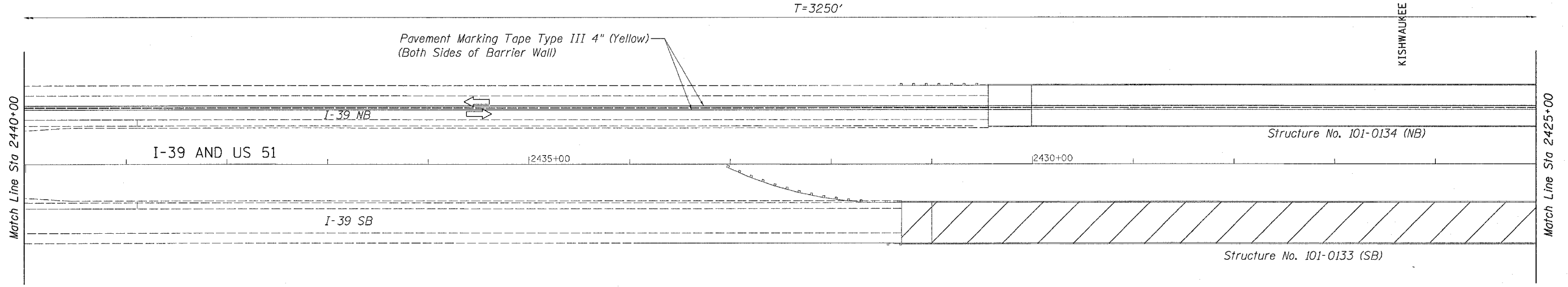


F.A.I. RTE.	SECTION	COUNTY	TOTAL SHEETS	SHEET NO.
-39-	-201-1B-M-2-	WINNEBAGO	-13-	-4-
STA. _____		TO STA. _____		
FED. ROAD DIST. NO. _____		ILLINOIS FED. AID PROJECT _____		

# TRAFFIC CONTROL PLAN

Refer to Standard 701400 & 701416 for additional signing and marking requirements.



PLOT DATE = Fri Jan 07 08:06:52 2005  
 FILE NAME = D:\RVA\ena\winnebago County\1010133.dgn  
 PLOT SCALE = 1/8" = 1'-0"  
 REFERENCE = AREA

REVISIONS	
NAME	DATE

ILLINOIS DEPARTMENT OF TRANSPORTATION

SCALE: VERT. \_\_\_\_\_  
 HORIZ. \_\_\_\_\_

DATE \_\_\_\_\_ DRAWN BY \_\_\_\_\_  
 CHECKED BY \_\_\_\_\_