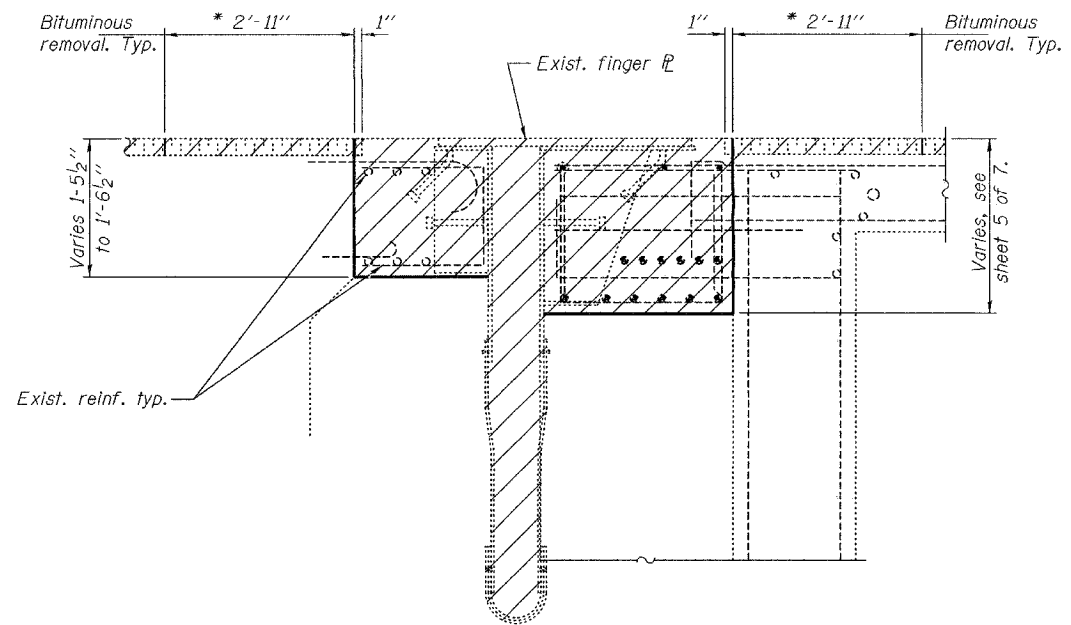
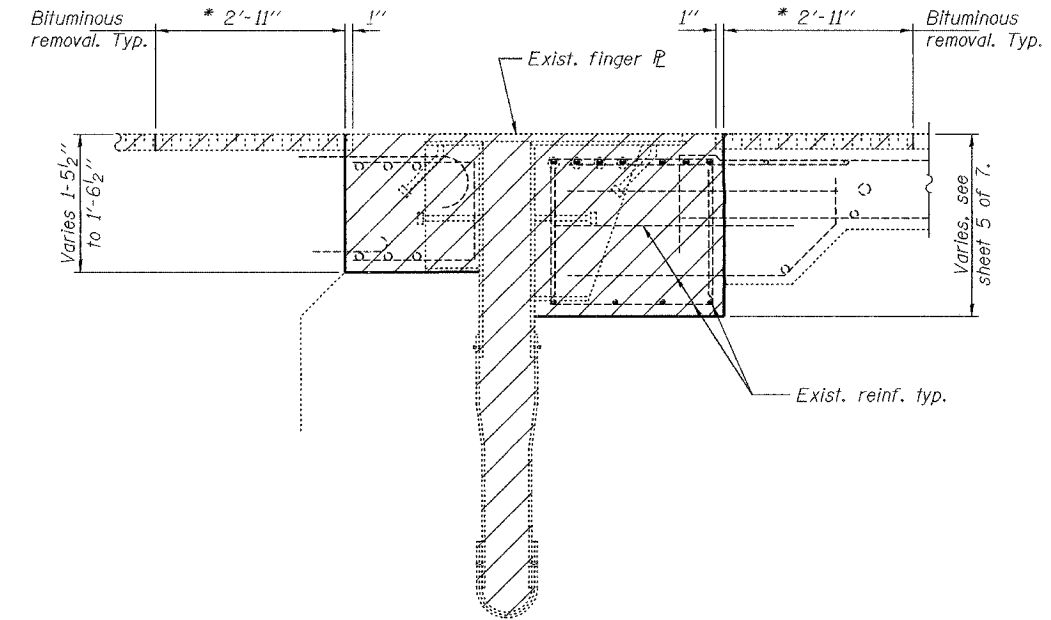
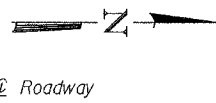
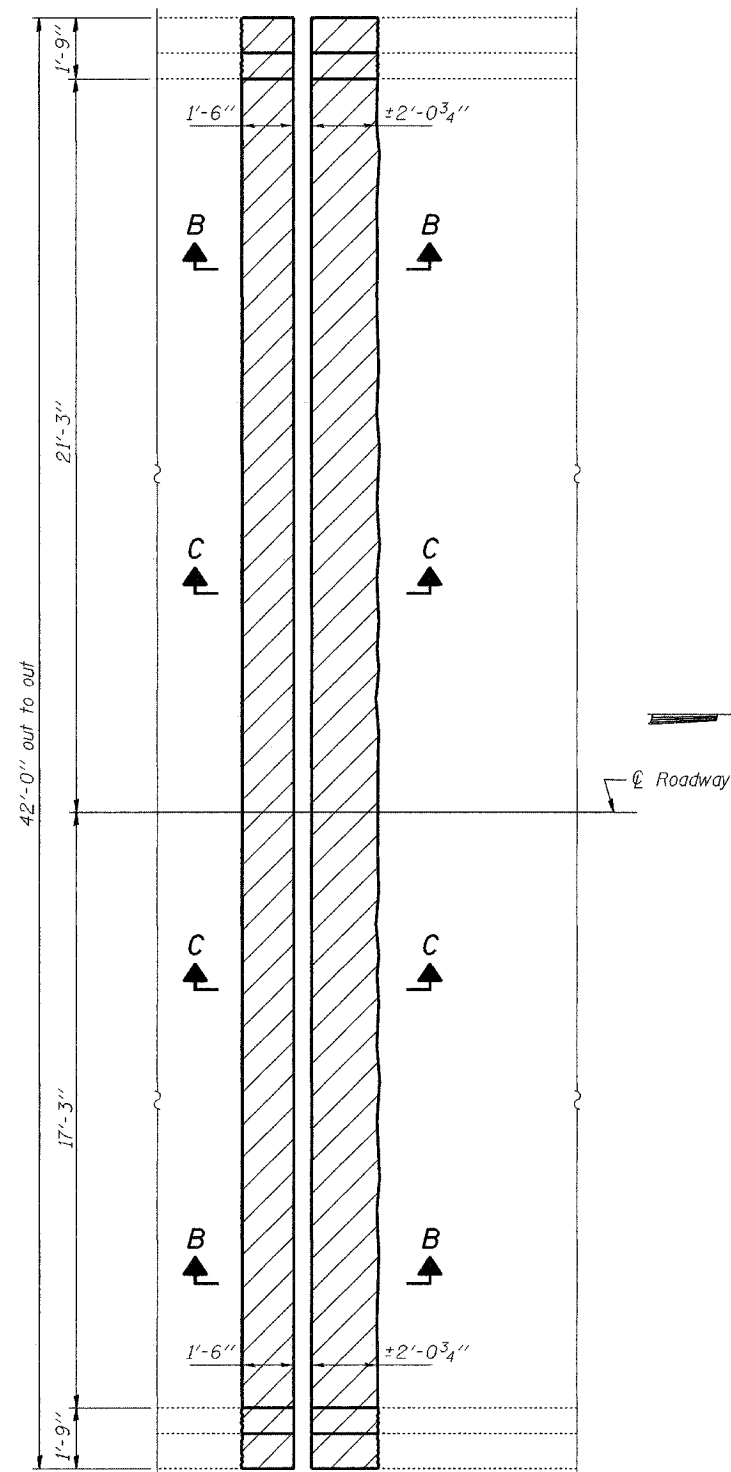


STATE OF ILLINOIS  
DEPARTMENT OF TRANSPORTATION

ROUTE NO.	SECTION	COUNTY	TOTAL SHEETS	SHEET NO.
1-39		WINNEBAGO	8	2
FED. ROAD DIST. NO. 7	ILLINOIS	FED. AID PROJECT	CONTRACT NO. 64A86	

SHEET NO. 2  
7 SHEETS



Notes:  
 Hatched areas indicate removal.  
 Longitudinal reinforcement extending into removed area shall be cleaned, straightened and incorporated into the new construction.  
 Perimeters of concrete & bituminous removal shall be saw cut <sup>3</sup>/<sub>4</sub>" prior to the removal of the concrete.  
 \* Waterproofing membrane system in this area shall not be damaged in order to provide a suitable lap for the new waterproofing membrane.  
 The bituminous concrete surface removal shall be included in Concrete Removal.

DESIGNED	DAB
CHECKED	PSJ
DRAWN	ballva
CHECKED	DAB PSJ

MARCH 7, 2005  
 EXAMINED *John A. Morris*  
 ENGINEER OF STRUCTURAL SERVICES  
 PASSED *Ralph E. Anderson*  
 ENGINEER OF BRIDGES AND STRUCTURES

**BRIDGE REPAIRS**  
**I-39 OVER KISHWAUKEE RIVER**  
**WINNEBAGO COUNTY**  
**STA. 2425+00**  
**SN 101-0133(SB)**