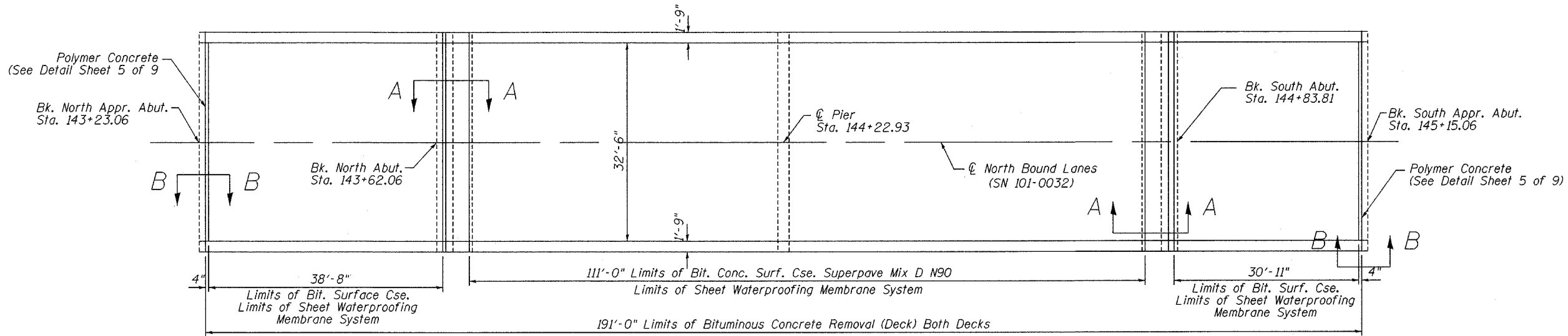


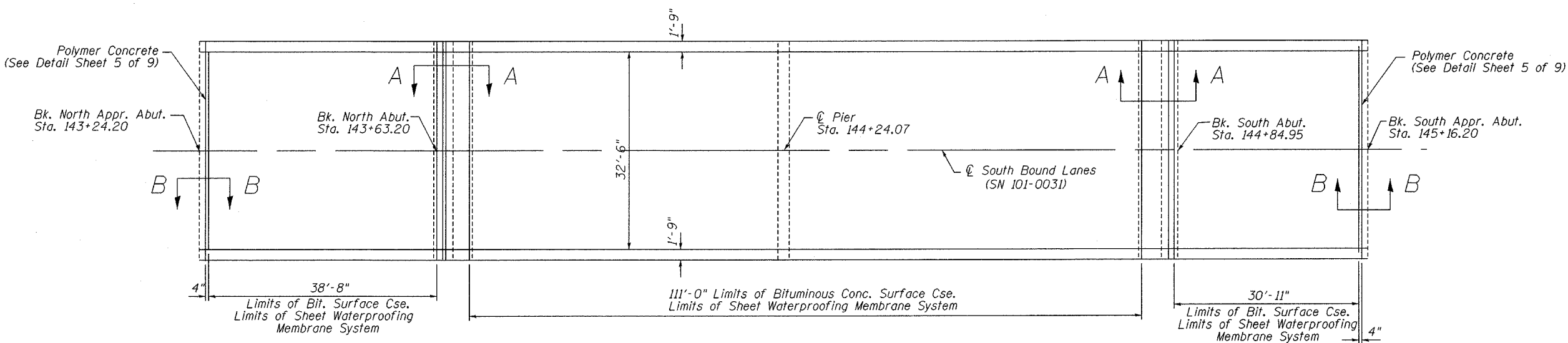
STATE OF ILLINOIS
DEPARTMENT OF TRANSPORTATION

ROUTE NO.	SECTION	COUNTY	TOTAL SHEETS	SHEET	SHEET NO. 3
	*	Winnebago	36	20	9 SHEETS
FED. ROAD DIST. NO. 7	ILLINOIS	FED. AID PROJECT			

*(5VB, 5HB, 1-2HB)M CONTRACT #64A88



PLAN - SN 101-0032



PLAN - SN 101-0031

BILL OF MATERIAL - 2 BRIDGES

Bar	No.	Size	Length	Shape	Item	Unit	Quantity
a(E)	80	#7	17'-8"	—	Reinforcement Bars, Epoxy Coated	Pound	7660
a ₁ (E)	16	#6	17'-8"	—	Concrete Superstructure	Cu. Yd.	44.4
a ₂ (E)	80	#6	6'-6"	—	Concrete Removal	Cu. Yd.	40
a ₃ (E)	24	#5	17'-8"	—	Bituminous Concrete Removal (Deck)	Sq. Yd.	1380
d(E)	64	#6	3'-4"	—	Sheet Waterproofing Membrane System	Sq. Yd.	1304
d ₁ (E)	64	#4	2'-6"	—	Bit. Conc. Surf. Cse., Superpave, Mix. "D", N90	Ton	150
c(E)	72	#4	4'-6"	—	Protective Shield	Sq. Yd.	480
x(E)	208	#6	7'-11"	—	Polymer Concrete	Cu. Ft.	15.2
					Silicone Joint Sealer	Foot	72
					Remove and Re-erect Existing Bridge Rail	Foot	768

Reinforcement bars designated (E) shall be epoxy coated.
For bar placement, see sheet 5 of 9.

DESIGNED	SB, DP
CHECKED	SB
DRAWN	BH, BS
CHECKED	SB

DECK PLAN
F.A.P. Route 303 & F.A.P. Route 738
(IL 251) OVER Rockton Road
SECTION (5VB, 5HB, 1-2HB)M
WINNEBAGO COUNTY
SN 101-0031 & 101-0032