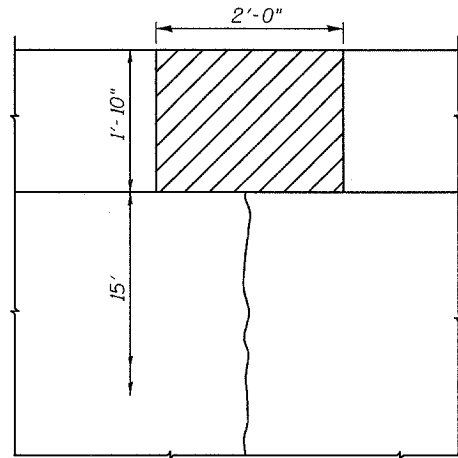


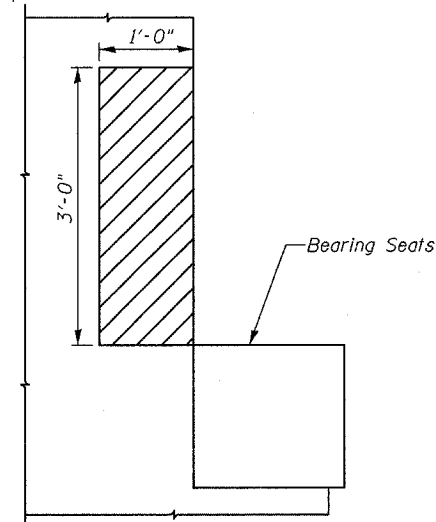
STATE OF ILLINOIS
DEPARTMENT OF TRANSPORTATION

ROUTE NO.	SECTION	COUNTY	TOTAL SHEETS	SHEET NO.	SHEET NO. 6
S.B.L.	*	Winnebago	36	23	2 SHEETS
F.A.L.					
FED. ROAD DIST. NO. 7	ILLINOIS	FED. AID PROJECT			

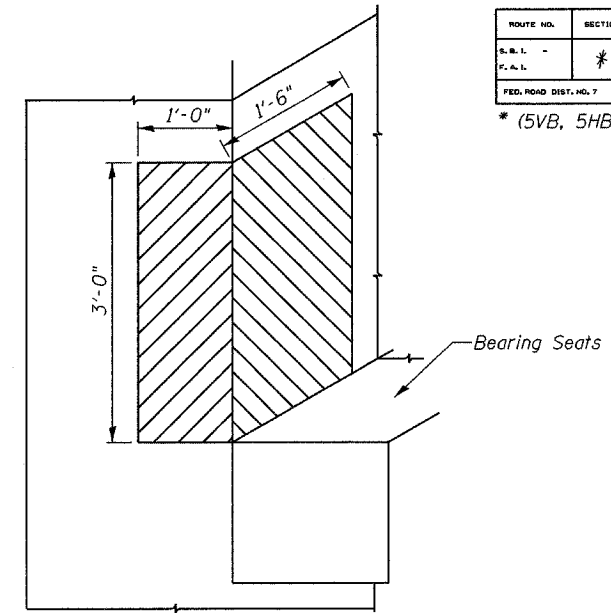
*(5VB, 5HB, 1-2HB)M CONTRACT #64A88



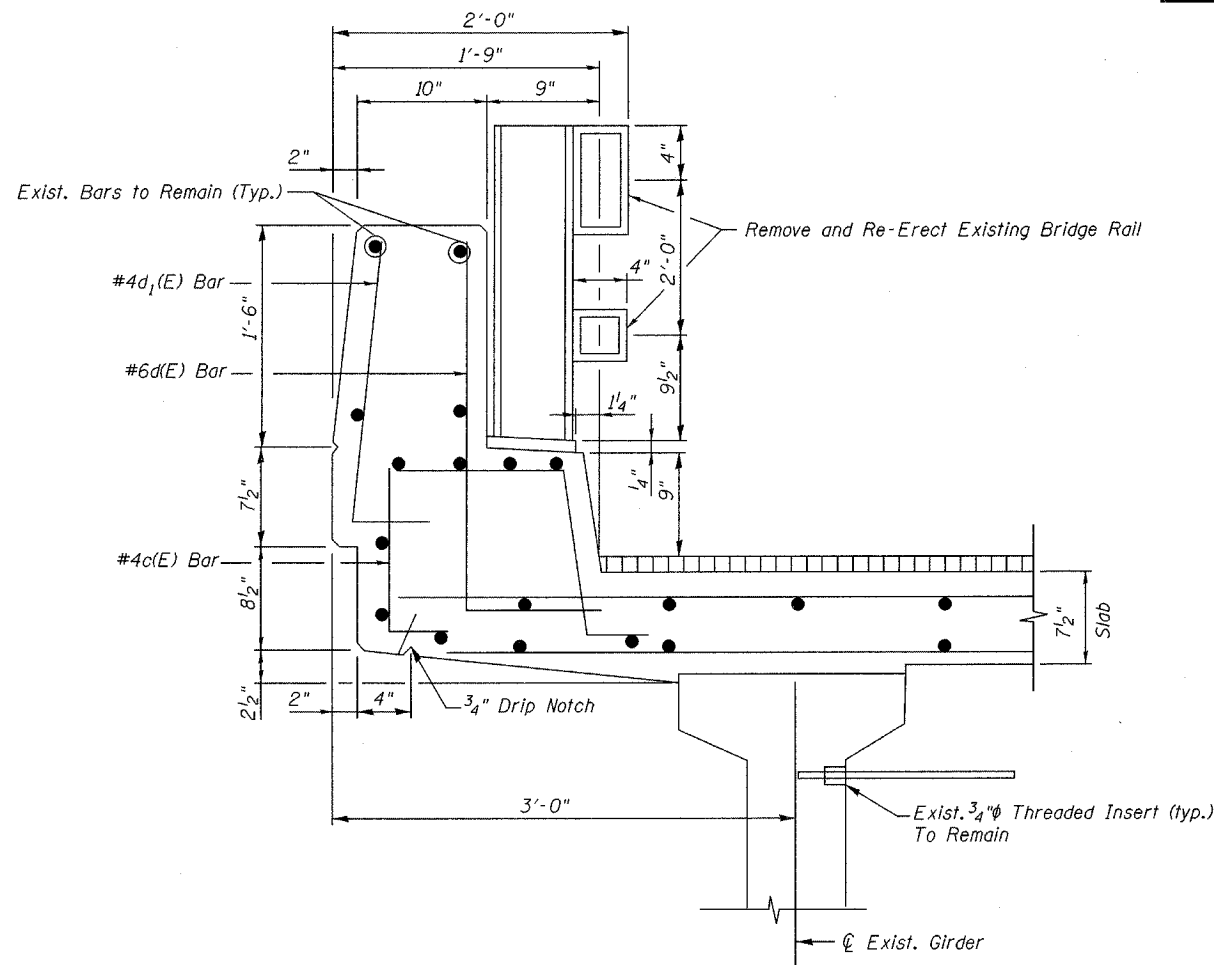
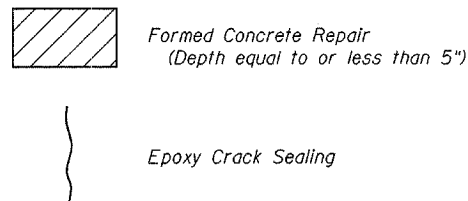
ELEVATION - SOUTH ABUTMENT
S.N. 101-0031



EAST WALL SOUTH ABUTMENT
S.N. 101-0032



WEST WALL NORTH ABUTMENT
S.N. 101-0032



TYP. SECTION THRU EXIST. PARAPET

SHOWING STEEL RETROFIT RAIL
(For Information Only)

Note: Contractor must ensure that rails are properly marked before removal to ensure proper placement during re-erection.

BILL OF MATERIAL

DESIGNED	SB, DP
CHECKED	SB
DRAWN	BH, BS
CHECKED	SB

ITEM	UNIT	TOTAL
Formed Concrete Repair (Depth Equal to or Less Than 5")	Sq. Ft.	15
Epoxy Crack Sealing	Foot	15

ABUTMENT REPAIRS
F.A.P. Route 303 & F.A.P. Route 738
(IL 251) OVER Rockton Road
SECTION (5VB, 5HB, 1-2HB)M
WINNEBAGO COUNTY
SN 101-0031 & 101-0032