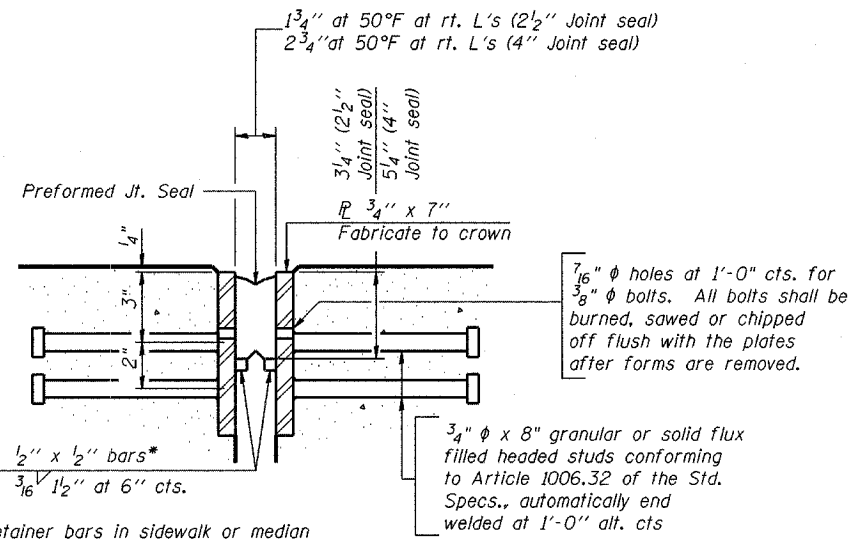


STATE OF ILLINOIS
DEPARTMENT OF TRANSPORTATION

ROUTE NO.	SECTION	COUNTY	TOTAL SHEETS	SHEET NO.	SHEET NO. 8
F.A.P.	*	Winnebago	36	25	9 SHEETS
FED. ROAD DIST. NO. 7	ILLINOIS	FED. AID PROJECT			

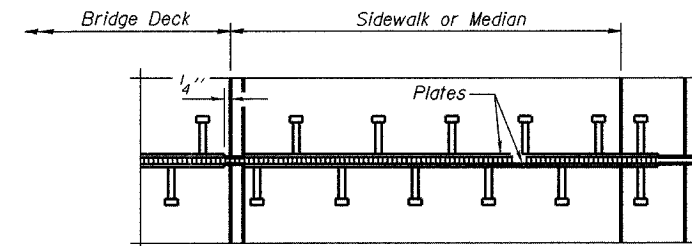
*(5VB, 5HB, 1-2HB)M CONTRACT #64A88



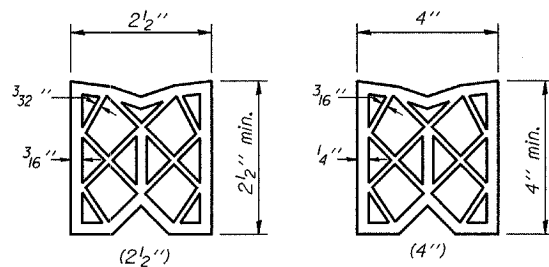
SECTION THRU EXPANSION JOINT
(2 1/2 inch and 4 inch joint seals)

Bridge Joint System (Expansion)		
Design Movement	Required Preformed Joint Seal Size	Required Strip Seal Rated movement
1 inch	2 1/2 inch	1 inch
1 5/8 inch	4 inch	2 inch

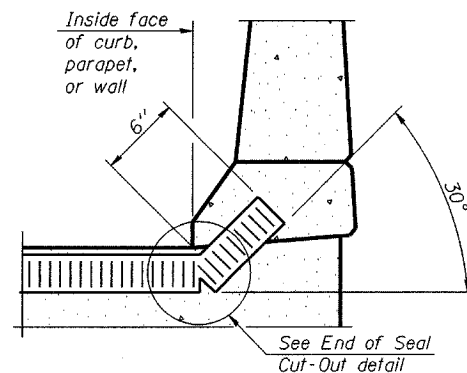
GENERAL NOTES
Furnish steel plates in segments of 20 feet maximum length. Maximum space between installed segments shall be 3/16 inch. Seal space with silicone sealant suitable for structural steel.



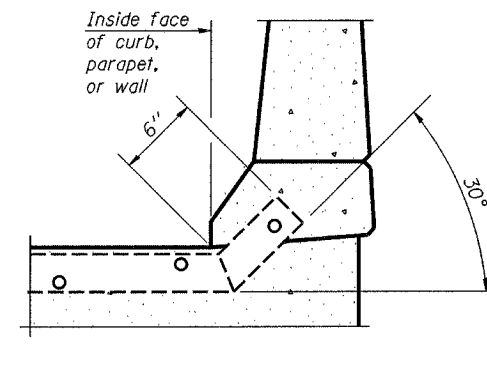
PLAN AT SIDEWALK OR MEDIAN



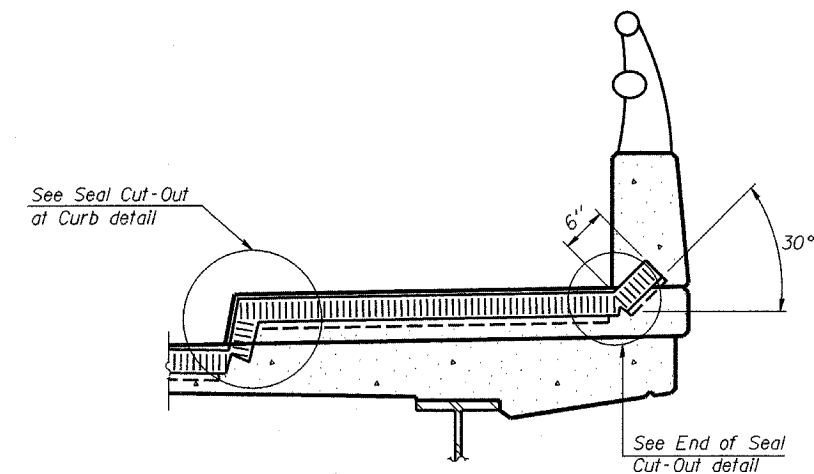
PREFORMED JOINT SEAL



AT CURB, PARAPET, OR WALL
(Showing seal)



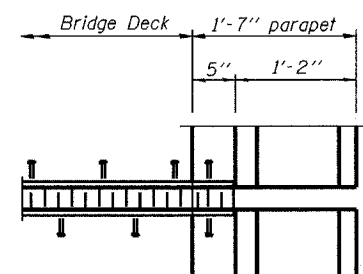
AT CURB, PARAPET, OR WALL
(Showing plate)



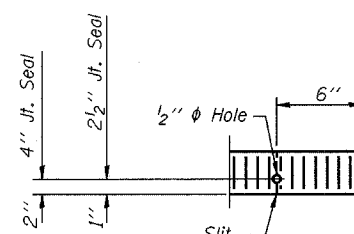
AT SIDEWALK OR MEDIAN*
(Showing plate and seal)

* Shorter plates with a single row of studs at 12 inch centers may be necessary on medians which are shallower than 9 inch. See manufacturer's recommendation.

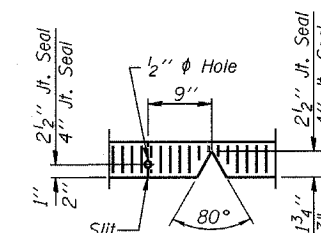
TYPICAL END TREATMENTS



PLAN AT PARAPET



END OF SEAL CUT-OUT



SEAL CUT-OUT AT CURB

BILL OF MATERIAL

Item	Unit	Total
Bridge Joint System Expansion 1 inch	Foot	134

BRIDGE JOINT SYSTEM - EXPANSION (PREFORMED JOINT SEAL)
F.A.P. Route 303 & F.A.P. Route 738 (IL 251) OVER Rockton Road SECTION (5VB, 5HB, 1-2HB)M WINNEBAGO COUNTY SN 101-0031 & 101-0032

DESIGNED	SB, DP
CHECKED	SB
DRAWN	BH, BS
CHECKED	SB