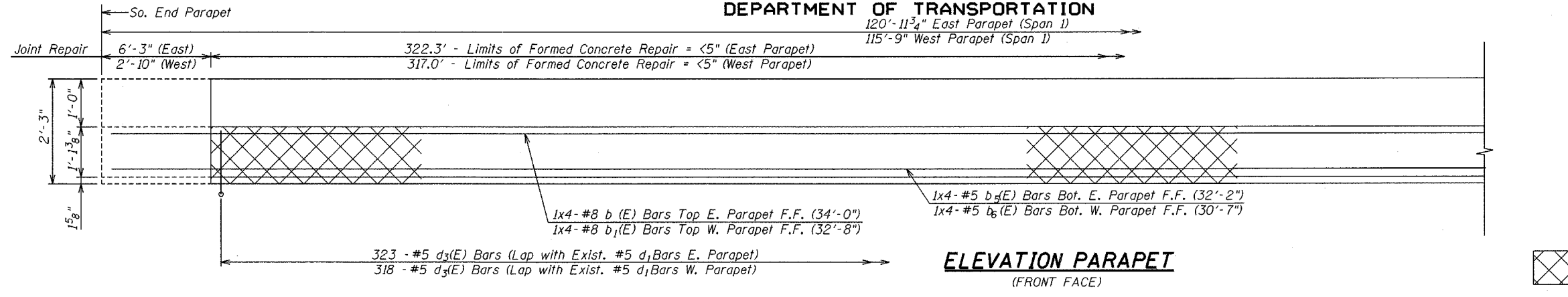


STATE OF ILLINOIS
DEPARTMENT OF TRANSPORTATION

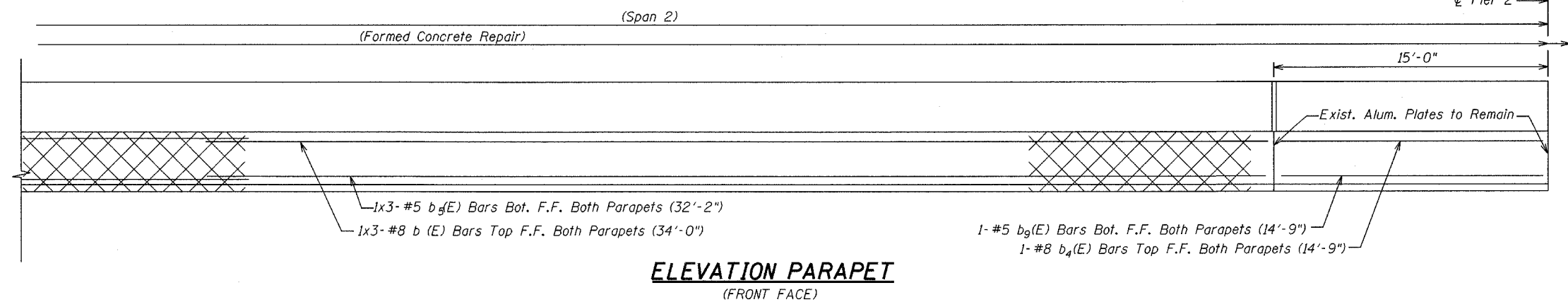
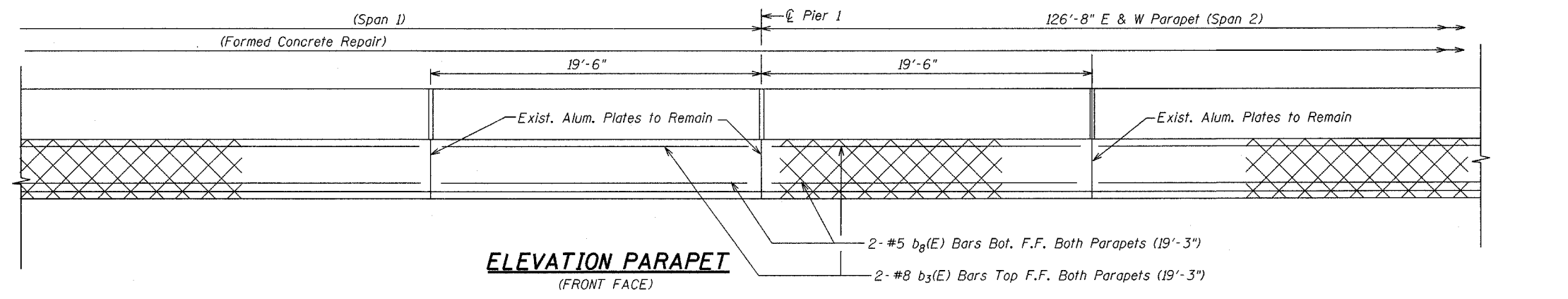
ROUTE NO.	SECTION	COUNTY	SHEETS	SHEET NO.
	*	Winnebago	36	32
SHEET NO. 6 8 SHEETS				

* Section (5VB,5HB,1-2HB)M Contract #64A88



Formed Concrete Repair Depth less than 5"

Note:
See sheet 3 of 8 for typical section thru parapet.



DESIGNED	SB, DP
CHECKED	SB
DRAWN	BH, BS
CHECKED	SB

PARAPET DETAILS
Forest Hills Road Ramp Over
F.A.P. 303 & F.A.P. 738 (IL 251)
SECTION (5VB,5HB,1-2HB)M
WINNEBAGO COUNTY
SN 101-0123