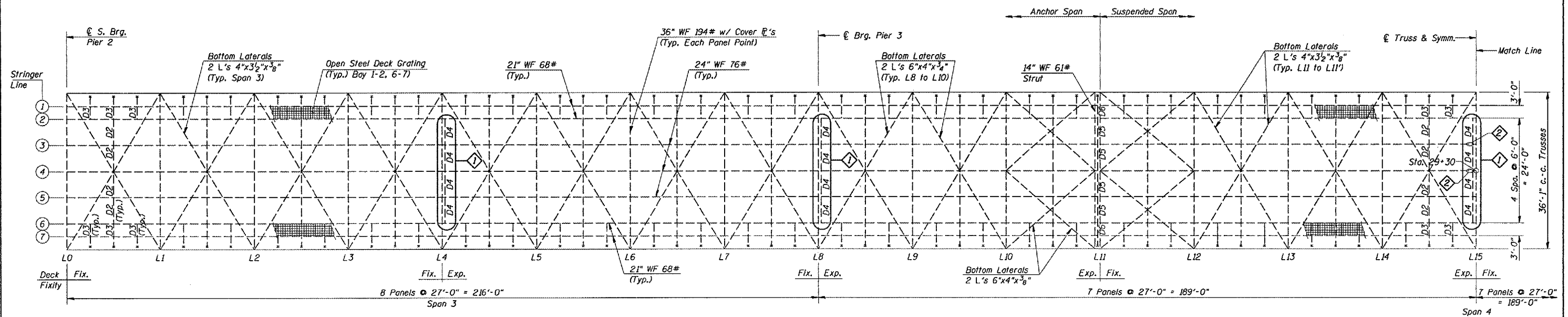
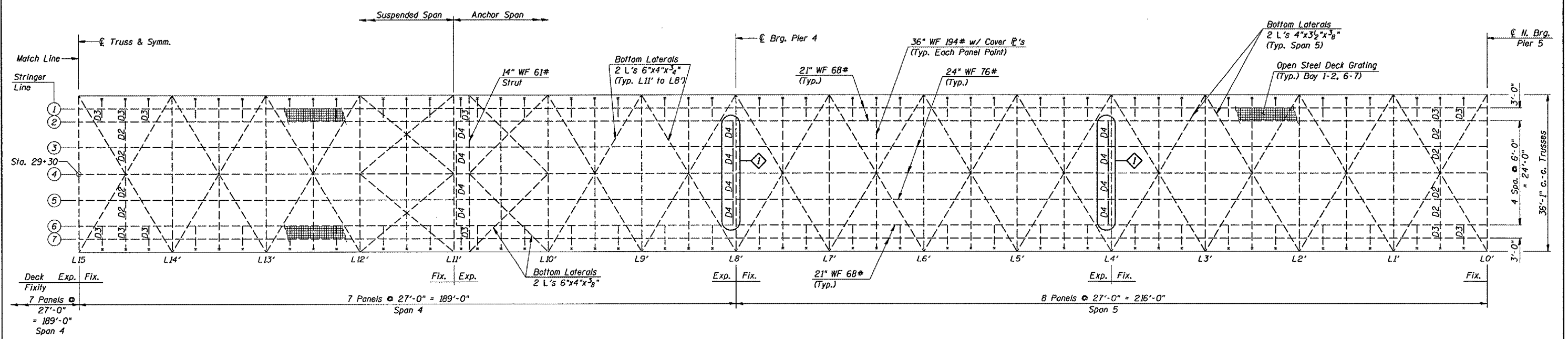


F.A.S. RTE.	SECTION	COUNTY	TOTAL SHEETS	SHEET NO.
1279	10,E,F,P11-3	LASALLE	19	6
STA. 23+51	TO STA. 35+09			
FED. ROAD DIST. NO.	ILLINOIS	NON-FED. AID PROJECT		



TRUSS FLOOR FRAMING PLAN
(North Half)

See Sheets 97 & 98 for End Diaphragm Replacement (1) and Stringer Web Repair Details (2).



TRUSS FLOOR FRAMING PLAN
(South Half)

Note: Diaphragm designations shown match original design plan designations.

REPAIR LEGEND

- End Diaphragm Replacement - D4
- Stringer Web Repair

REVISIONS	
NAME	DATE

ILLINOIS DEPARTMENT OF TRANSPORTATION
TRUSS FLOOR FRAMING REPAIRS LOCATION PLAN
 EXISTING S.N. 050-0088
 IL 178 OVER ILLINOIS RIVER
 STATION 29+30
 SCALE: VERT. 1"=10'-0"
 HORIZ. 1"=40'-0"
 DATE 12/08/04
 DRAWN BY RLW
 CHECKED BY

cmair05/cm326/details.dgn