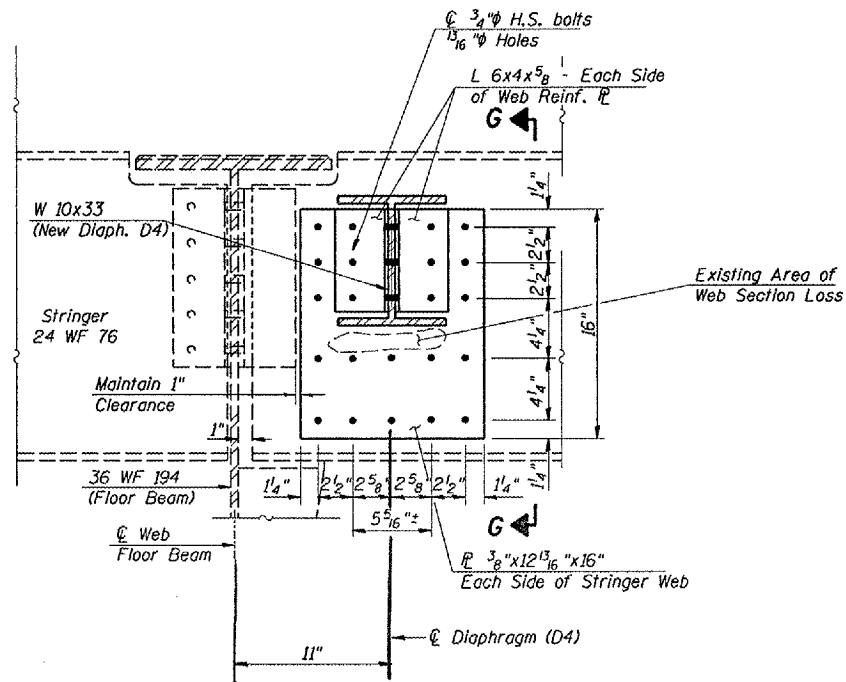
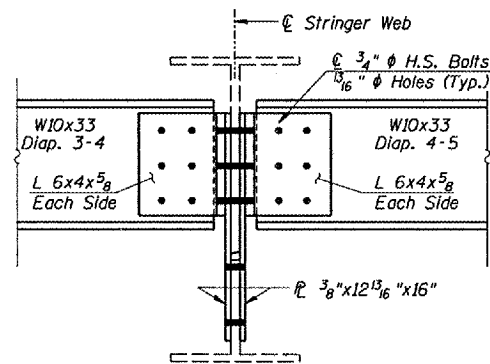


F.A.S. RTE.	SECTION	COUNTY	TOTAL SHEETS	SHEET NO.
1279	1(D,E,F,P)I-3	LASALLE	19	7
STA. 23+51		TO STA. 35+09		
FED. ROAD DIST. NO. -		ILLINOIS	NON-FED. AID PROJECT	



**2 - STRINGER WEB REPAIR**

Looking West @ Panel Pt. L15 - Stringer Lines 3 & 4



3 or 4

**SECTION G-G**

Looking South

**STAGE 1 CONSTRUCTION SEQUENCE**

WORK SEQUENCE FOR STRINGER-4 WEB REINFORCEMENT (L15) & DIAPHRAGM D4 (BAY 4-5) REPLACEMENTS

1. REMOVE DECK TO LIMITS SHOWN ABOVE STRINGER-4 AND DIAPHRAGM CONNECTIONS.
2. INSTALL SHORING BENEATH DIAPHRAGM 3-4 CONNECTION ON EAST SIDE OF STRINGER 4.
3. REMOVE DIAPHRAGM 4-5 AND FRAMING ANGLES AT BOTH SIDES STRINGER-4.
4. DRILL NEW WEB HOLES IN STRINGER-4 WEB, FROM WEST SIDE, FOR WEB REINFORCEMENT PLATES. USE EXISTING STRINGER-4 WEB FRAMING ANGLE HOLES FOR ALIGNMENT OF DRILL TEMPLATE.
5. CLEAN APPROPRIATE SURFACES OF STRINGER-4 WEB'S WEST SIDE.
6. INSTALL WEB REINFORCEMENT PLATE ON WEST SIDE OF STRINGER-4 WITH TEMPORARY H.S. BOLTS. INSTALL NEW DIAPHRAGM 4-5 WITH FRAMING ANGLES ON NEW WEB PLATE AT STRINGER-4. TEMPORARY BOLTS SHALL BE INSTALLED TO "SNUG TIGHT" CONDITION WITH NUTS ON THE EAST SIDE OF STRINGER-4 WEB.
7. FORM DECK FOR STAGE 1, PLACE REINFORCEMENT BARS & BAR SPLICERS
8. POUR STAGE 1 DECK PATCH TO MATCH EXISTING CIRCULAR CROWN.
9. INSTALL SILICONE JOINT SEAL.

NOTE: FOR DIAPHRAGM 4-5 REPLACEMENT, AT LOCATIONS NOT REQUIRING WEB REINFORCEMENT AT STRINGER 4, OMIT STEP 4 AND PLATE INSTALLATION WORK IN STEP 6 IN THE ABOVE SEQUENCE.

**STAGE 2 CONSTRUCTION SEQUENCE**

WORK SEQUENCE FOR STRINGER-4 WEB REINFORCEMENT (L15) & DIAPHRAGM D4 (BAY 3-4) REPLACEMENTS

1. REMOVE REMAINING DECK CONCRETE TO LIMITS SHOWN.
2. REMOVE DIAPHRAGM 3-4 AND FRAMING ANGLES AT STRINGER-3.
3. CLEAN APPROPRIATE AREAS OF STRINGER-3 AND STRINGER-4 WEBS.
4. DRILL NEW WEB HOLES IN STRINGER-3 WEB FOR WEB REINFORCEMENT PLATES. USE EXISTING STRINGER-3 WEB FRAMING ANGLE HOLES FOR ALIGNMENT OF DRILL TEMPLATE.
5. INSTALL WEB REINFORCEMENT PLATES ON EACH SIDE OF STRINGER-3
6. PLACE TEMPORARY SHORING BENEATH DIAPHRAGM 4-5 ON WEST SIDE OF STRINGER-4.
7. LOOSEN AND REMOVE NUTS ON TEMPORARY BOLTS AT STRINGER-4'S WEB. INSTALL WEB REINFORCEMENT PLATE OVER TEMPORARY BOLTS AT STRINGER-4. REPLACE REINFORCEMENT PLATE TEMPORARY BOLTS WITH NEW H.S. BOLTS AND TIGHTEN AT STRINGER-4.
8. INSTALL NEW DIAPHRAGMS (2-3, 3-4) WITH NEW FRAMING ANGLES OVER NEW REINFORCEMENT PLATES @ STRINGER'S 3 & 4.
9. FORM DECK FOR STAGE 2; PLACE REINFORCEMENT BARS.
10. POUR STAGE 2 DECK PATCH TO MATCH EXISTING CIRCULAR CROWN.
11. INSTALL SILICONE JOINT SEAL.

NOTE: FOR DIAPHRAGM 3-4 REPLACEMENT, AT LOCATIONS NOT REQUIRING WEB REINFORCEMENT AT STRINGER'S 3 & 4, OMIT STRINGER WEB HOLE DRILLING AND PLATE INSTALLATION WORK IN THE APPROPRIATE STEPS ABOVE.

REVISIONS	
NAME	DATE

ILLINOIS DEPARTMENT OF TRANSPORTATION  
**DIAPHRAGM & STRINGER REPAIR DETAILS**  
EXISTING S.N. 050-0088  
IL 178 OVER ILLINOIS RIVER  
STATION 29+30  
VERT. SCALE: HORIZ. DATE: 12/08/04  
DRAWN BY: RLW  
CHECKED BY: