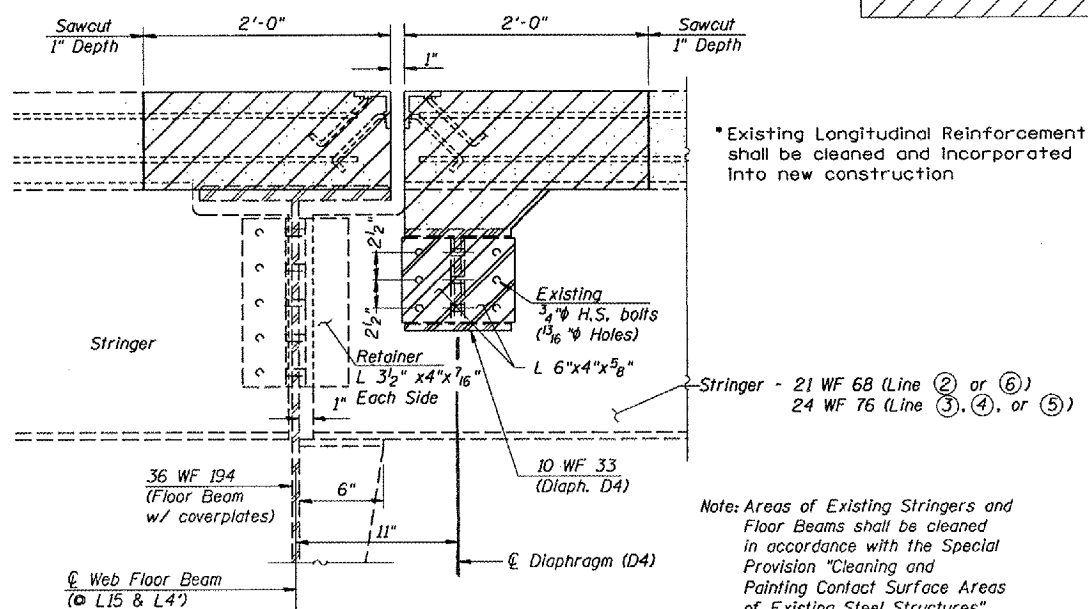
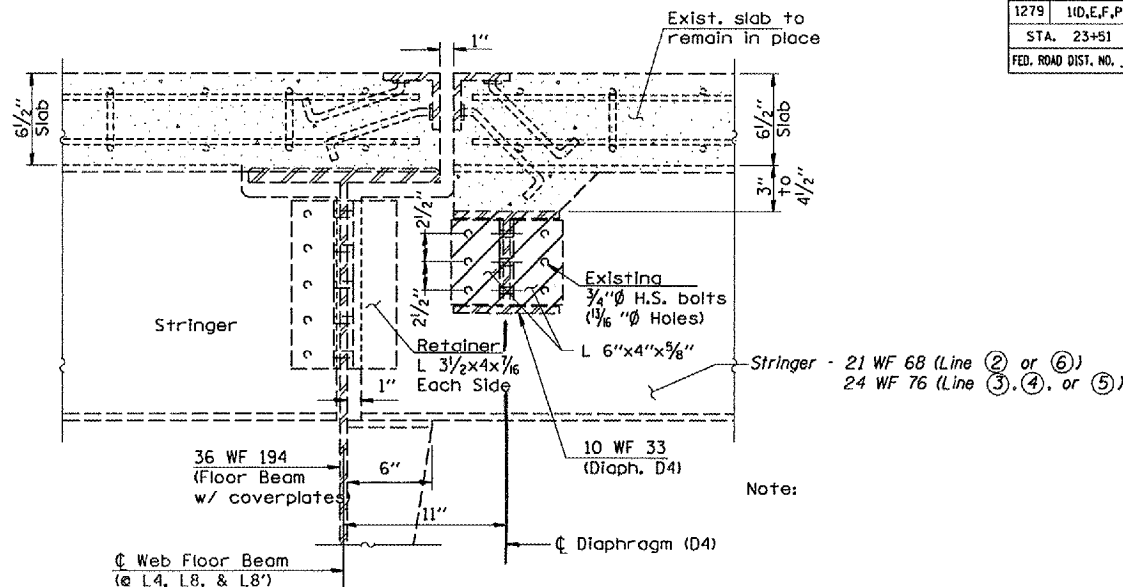


F.A.S. RTE.	SECTION	COUNTY	TOTAL SHEETS	SHEET NO.
1279	1(D,E,F,P)1-3	LASALLE	19	9
STA. 23+51		TO STA. 35+09		
FED. ROAD DIST. NO. -		ILLINOIS NON-FED. AID PROJECT		

HATCHED AREAS INDICATE REMOVAL

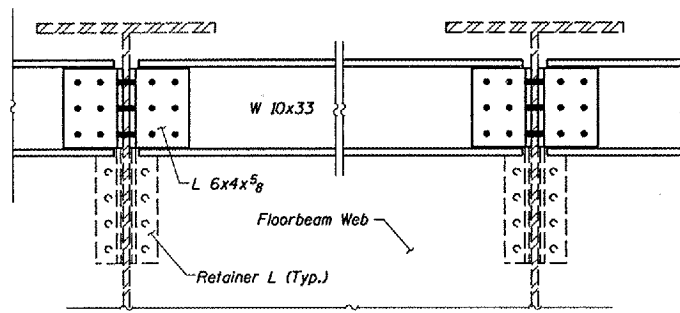


**EXISTING 1" OPEN JOINT**  
**SECTION A-A**  
Looking West @ L15 & L4'

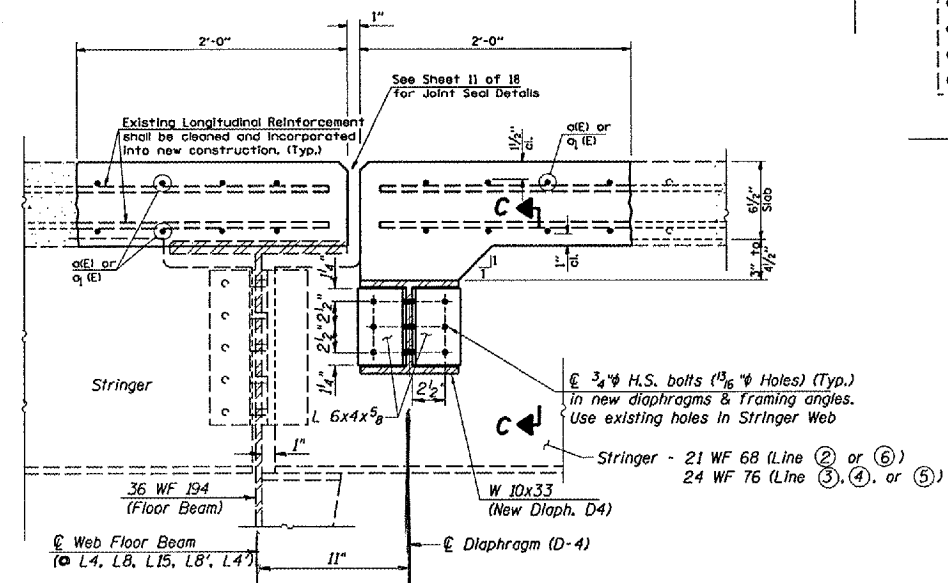


**EXISTING JOINT**  
**SECTION B-B**

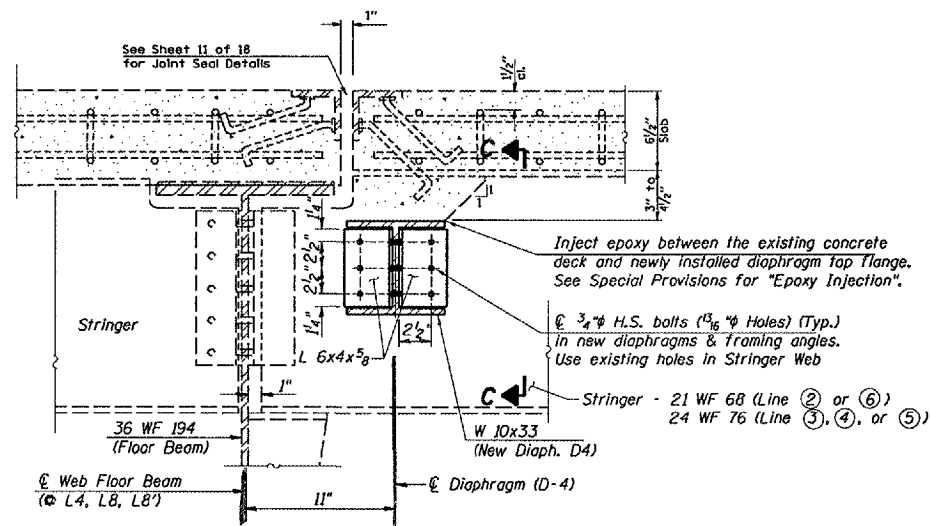
Looking East @ L4 & L8  
Looking West @ L8'



**SECTION C-C**



**PROPOSED SECTION A-A**  
Looking West @ L15 & L4'



**PROPOSED JOINT**  
**SECTION B-B**

Looking East @ L4 & L8  
Looking West @ L8'

Note: Areas of Existing Stringers and Floor Beams shall be cleaned in accordance with the Special Provision "Cleaning and Painting Contact Surface Areas of Existing Steel Structures".

SEE SHEET 7 FOR REPAIRS TO STRINGERS ③ & ④

REVISIONS	
NAME	DATE

ILLINOIS DEPARTMENT OF TRANSPORTATION  
**SECTIONS A & B**  
EXISTING S.N. 050-0088  
IL 178 OVER ILLINOIS RIVER  
STATION 29+30

SCALE: VERT. \_\_\_\_\_  
HORIZ. \_\_\_\_\_  
DATE 12/08/04  
DRAWN BY RLW  
CHECKED BY \_\_\_\_\_

cncin05/cm326/details.dgn