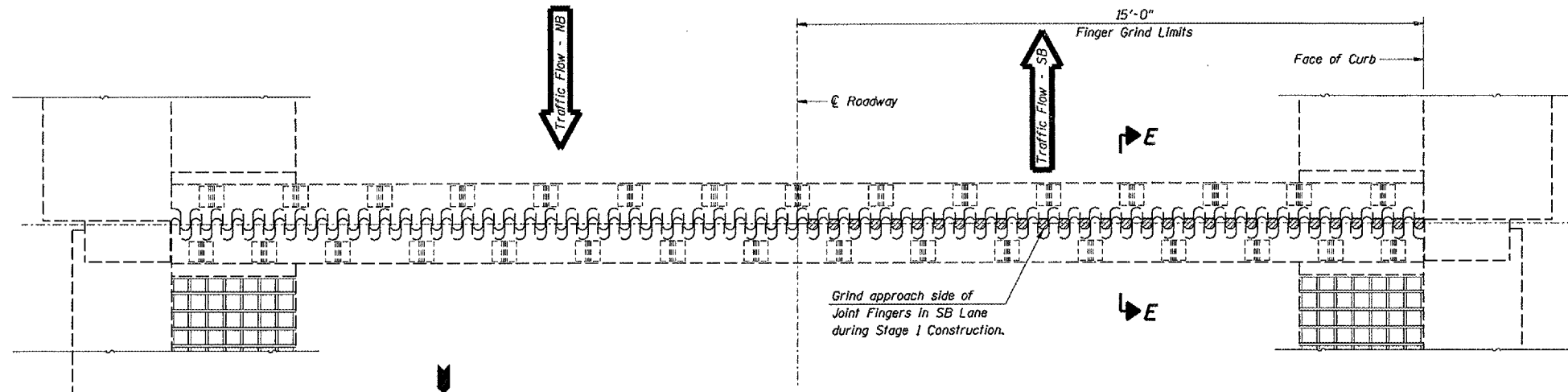
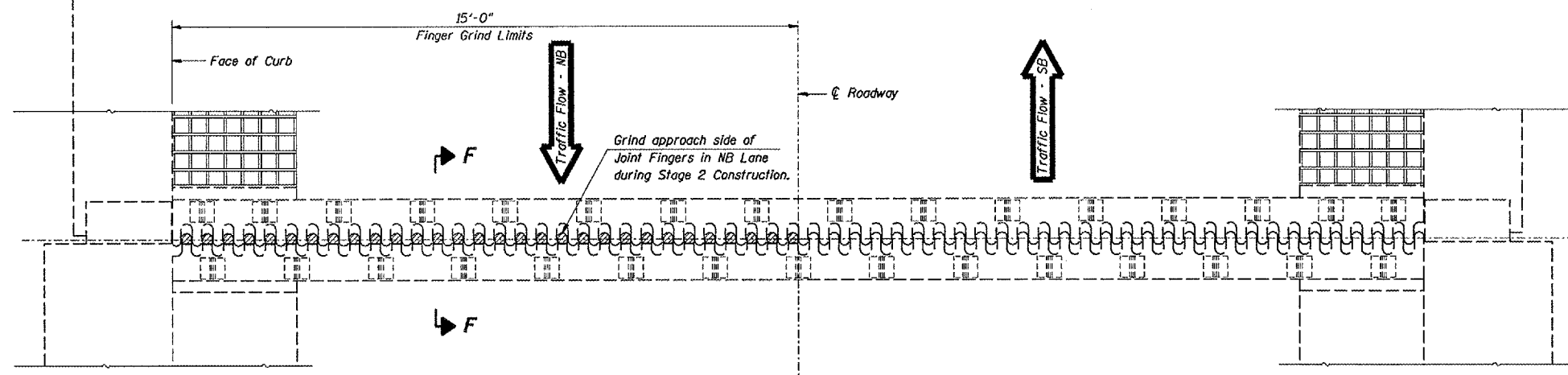


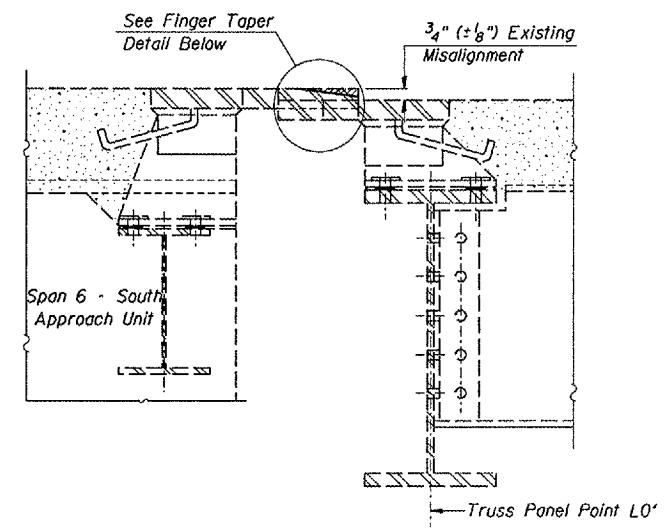
F.A.S. RTE.	SECTION	COUNTY	TOTAL SHEETS	SHEET NO.
1279	1(D,E,F,P)1-3	LASALLE	19	12
STA. 23+51		TO STA. 35+09		
FED. ROAD DIST. NO.		ILLINOIS NON-FED. AID PROJECT		



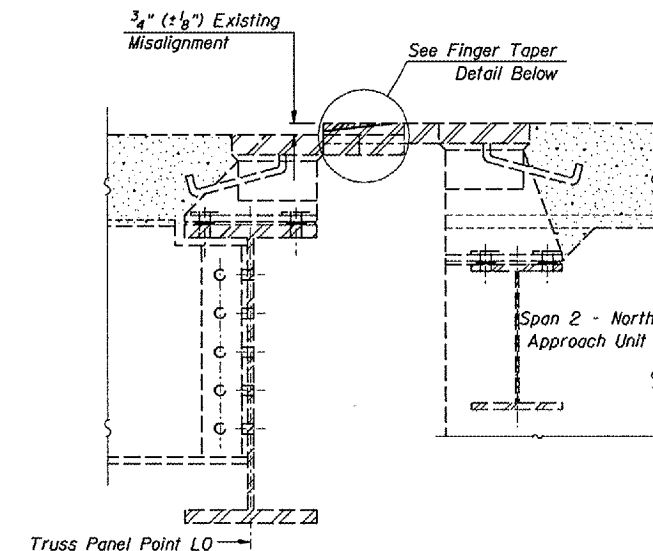
**FINGER PLATE EXPANSION JOINT - PIER 5**



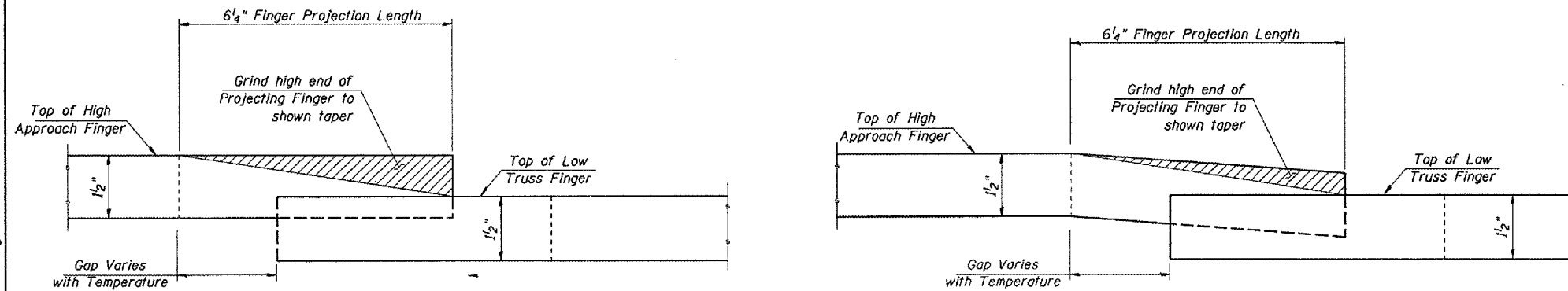
**FINGER PLATE EXPANSION JOINT - PIER 2**



**CROSS SECTION E-E**



**CROSS SECTION F-F**



**FINGER TAPER DETAIL**

**BILL OF MATERIAL**

ITEM	UNIT	TOTAL
Finger Plate Adjustment	Foot	30

REVISIONS	
NAME	DATE

ILLINOIS DEPARTMENT OF TRANSPORTATION  
**FINGER JOINT REPAIR  
 DETAILS @ PIER 2 & PIER 5**  
 EXISTING S.N. 050-0088  
 IL 178 OVER ILLINOIS RIVER  
 STATION 29+30  
 SCALE: VERT. \_\_\_\_\_  
 HORIZ. \_\_\_\_\_  
 DATE 12/08/04  
 DRAWN BY RLW  
 CHECKED BY \_\_\_\_\_

cmain05/cm326/details.dgn