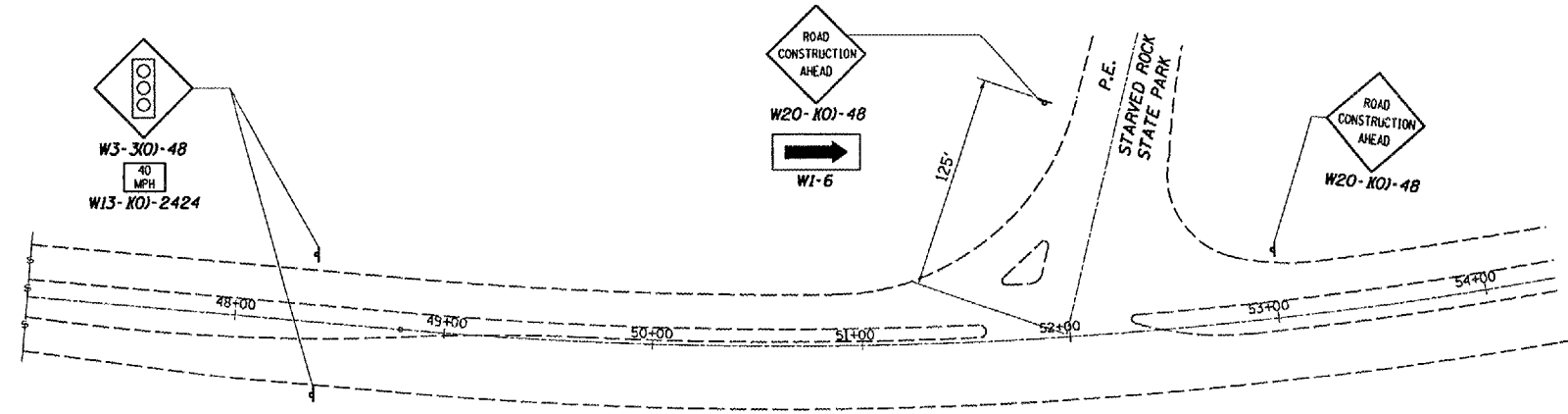
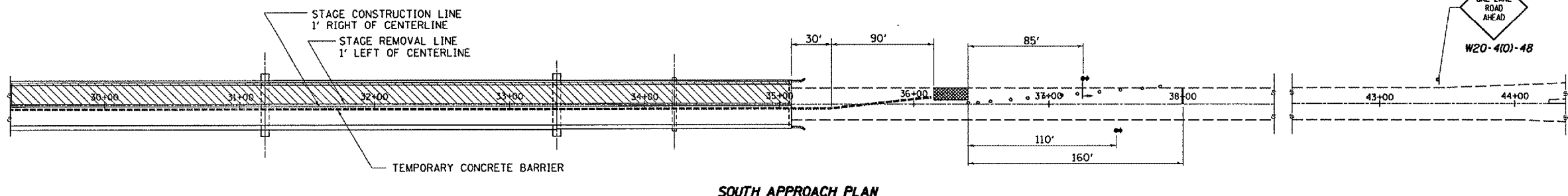
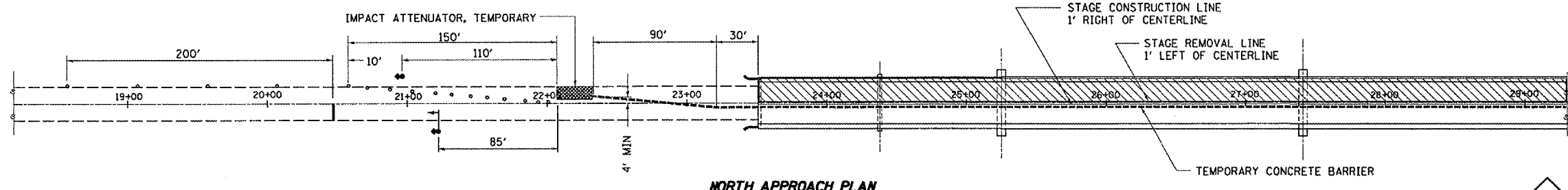
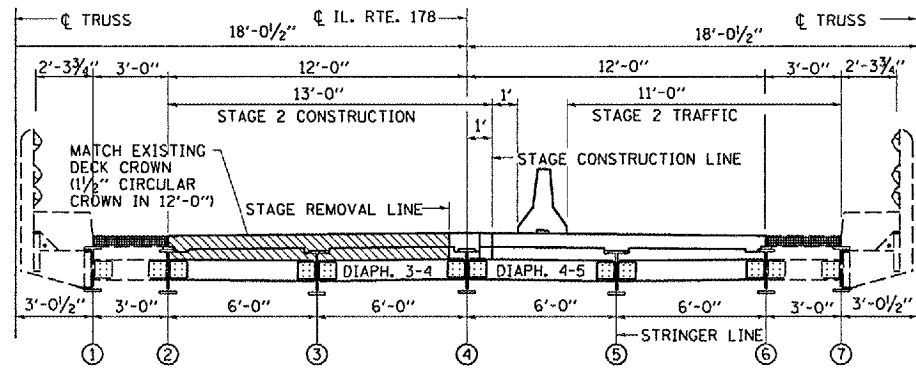
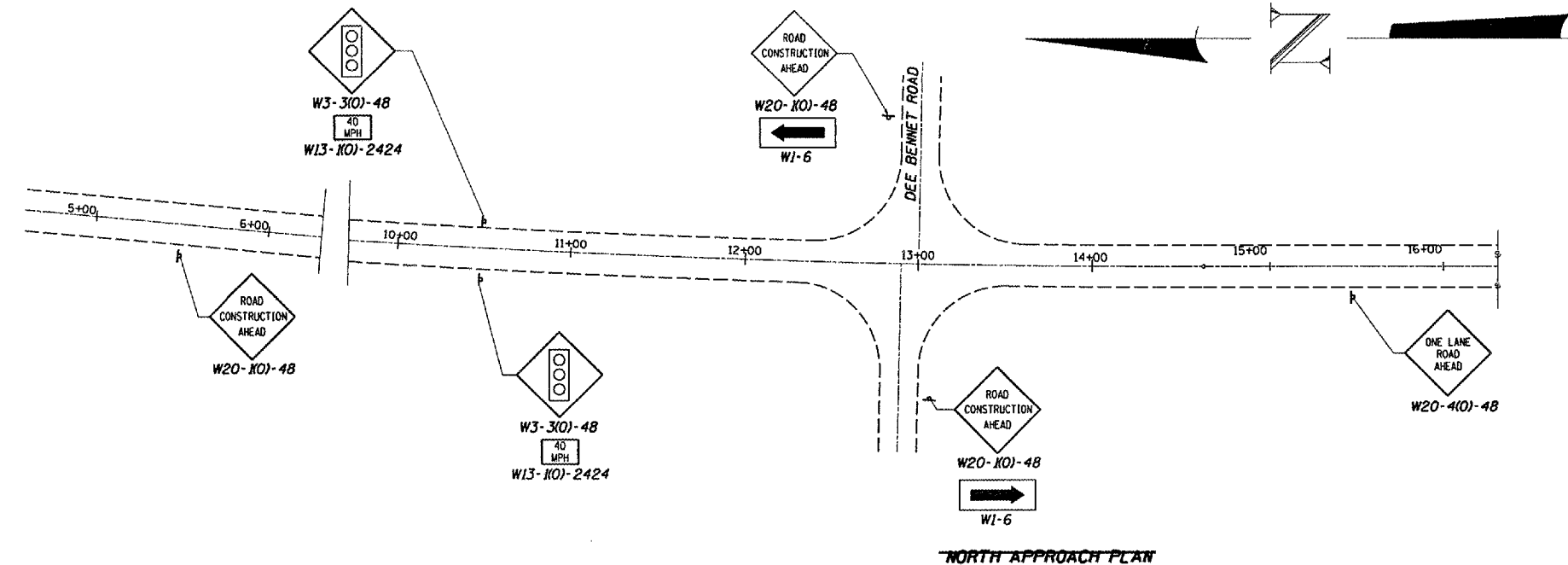


F.A.S. RTE.	SECTION	COUNTY	TOTAL SHEETS	SHEET NO.
1279	10,E,F,P)1-3	LASALLE	19	17
STA. 23+51		TO STA. 35+09		
FED. ROAD DIST. NO.		ILLINOIS	NON-FED. AID PROJECT	



LEGEND

- DRUM WITH STEADY BURNING LIGHT
- ⊕ TRAFFIC SIGNAL WITH MICROWAVE DETECTOR
- ⊠ SIGN
- ▨ INDICATES WORK AREA
- ▩ IMPACT ATTENUATORS TEMPORARY
- | STOP BAR

WORK THIS SHEET WITH STANDARD 701321

REVISIONS	
NAME	DATE

ILLINOIS DEPARTMENT OF TRANSPORTATION
TRAFFIC CONTROL DETAILS
STAGE II
 EXISTING S.N. 050-0088
 IL 178 OVER ILLINOIS RIVER
 STATION 29+30
 SCALE: VERT. 1"=20'
 HORIZ. 1"=40'
 DATE 12/08/04
 DRAWN BY RLV
 CHECKED BY

cmcin05/cm326/details.dgn