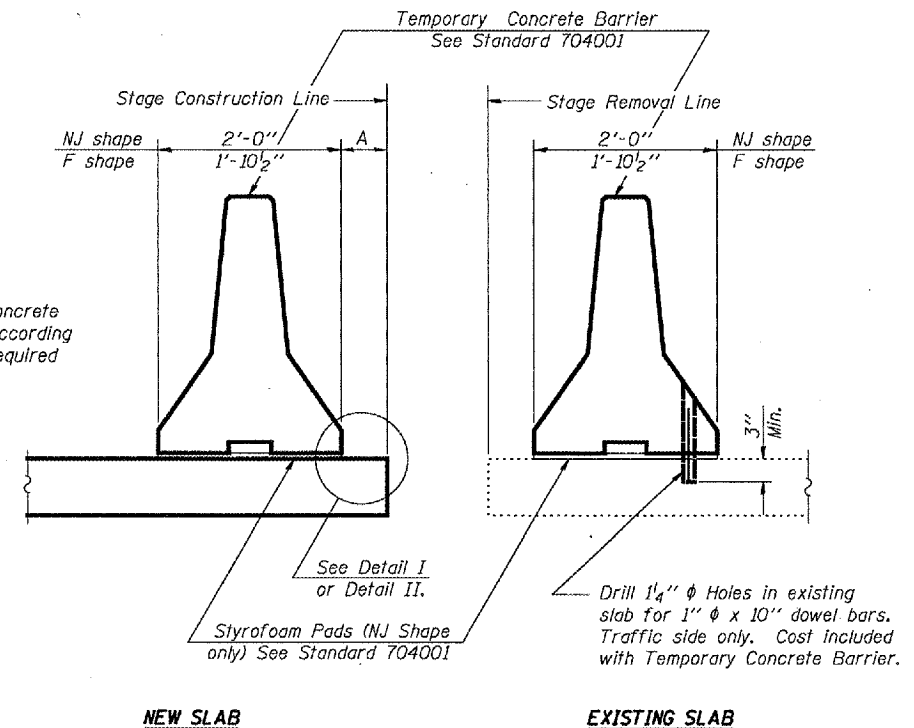


F.A.S. RTE.	SECTION	COUNTY	TOTAL SHEETS	SHEET NO.
1279	10,E,F,P1-3	LASALLE	19	19
STA. 23+51		TO STA. 35+09		
FED. ROAD DIST. NO.		ILLINOIS NON-FED. AID PROJECT		



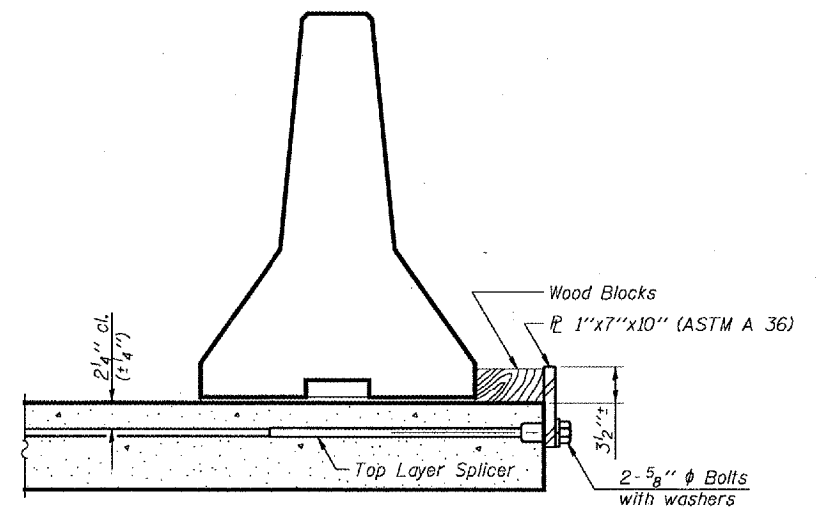
SECTIONS THRU SLAB

NOTES

Detail I - With Bar Splicer or Couplers:
Connect one (1) 1"x7"x10" steel P to the top layer of couplers with 2-5/8" φ bolts screwed to coupler at approximate C of each barrier panel.

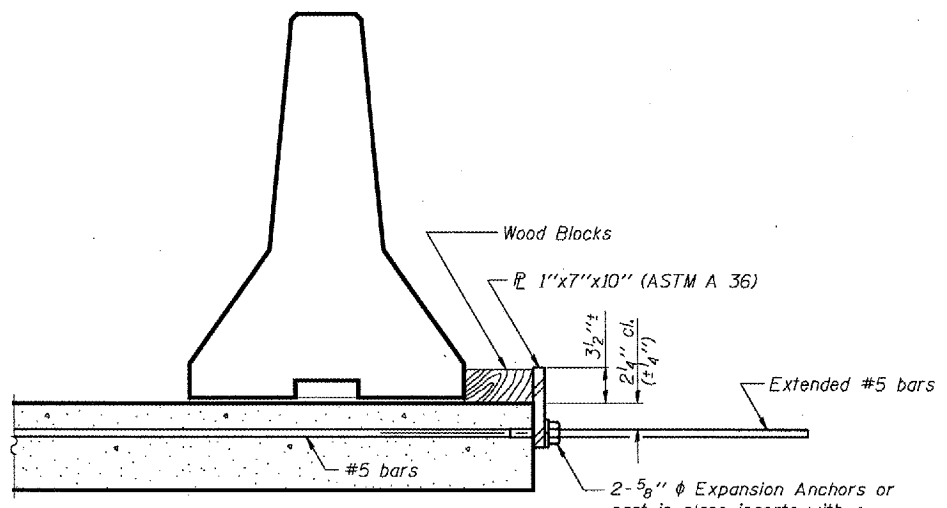
Detail II - With Extended Reinforcement Bars:
Connect one (1) 1"x7"x10" steel P to the concrete slab with 2-5/8" φ Expansion Anchors or cast in place inserts spaced between the top layer of reinforcement at approximate C of each barrier panel.

Cost of anchorage is included with Temporary Concrete Barrier.



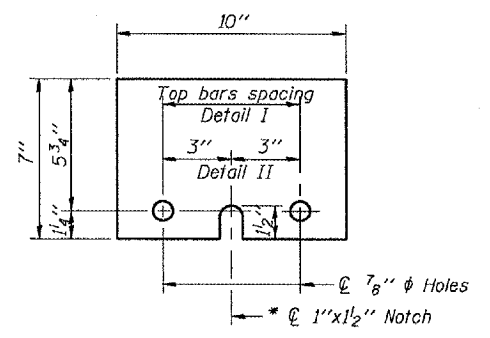
DETAIL I

The 1"x7"x10" Plate shall not be removed until Stage II Construction forms and reinforcement bars are in place.



DETAIL II

The 1"x7"x10" Plate shall not be removed until Stage II Construction forms and all reinforcement bars are in place and the concrete is ready to be placed.



P 1"x7"x10"

* Required only with Detail II

REVISIONS	
NAME	DATE

ILLINOIS DEPARTMENT OF TRANSPORTATION
TEMPORARY CONCRETE BARRIER
 EXISTING S.N. 050-0088
 IL 178 OVER ILLINOIS RIVER
 STATION 29+30
 SCALE: VERT. N/A
 HORIZ. N/A
 DATE 12/08/04
 DRAWN BY RLW
 CHECKED BY