

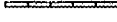



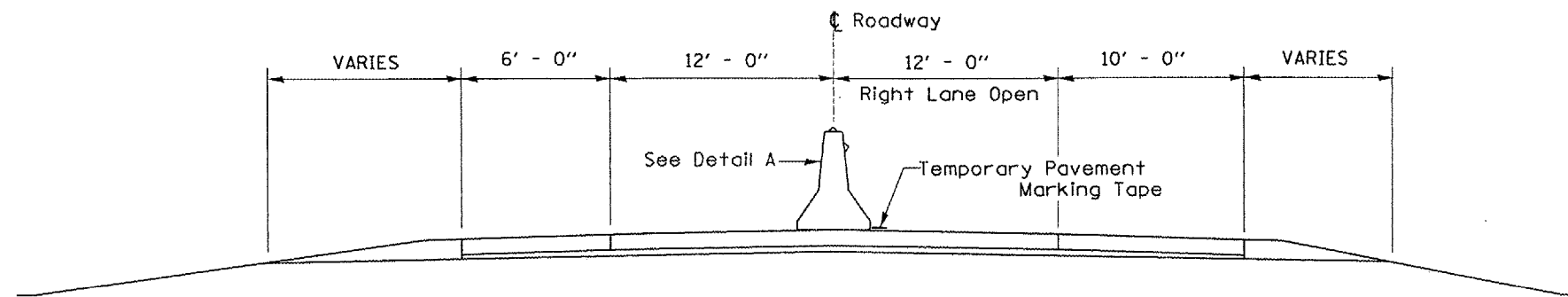


F.A.I. ATE.	SECTION	COUNTY	TOTAL SHEET NO.
57	D-3 BRIDGE PAINTING 2005-1	IROQUOIS	16
FED. ROAD DIST. NO.		ILLINOIS FED. AID PROJECT	6

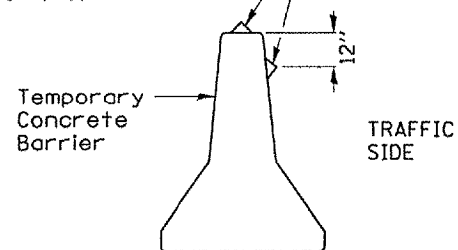
LENGEND

-  Work Zone
-  Type II barricade, drum or vertical barricade with steady burn monodirectional light
-  Temporary concrete barrier
-  Type C Monodirectional reflector
-  Vertical panel with steady burn monodirectional light
-  Impact attenuator



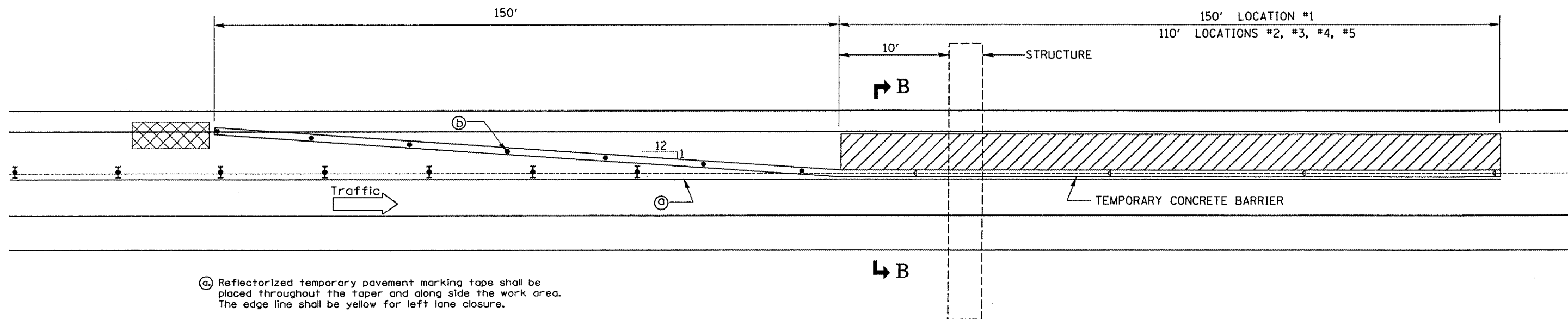
SECTION B-B

Type C Monodirectional Reflectors on tangent portion of barrier @ 50' cts.



DETAIL A

Note: Color of reflectors shall match the color of the adjacent temporary pavement striping.



PLAN

- (a) Reflectorized temporary pavement marking tape shall be placed throughout the taper and along side the work area. The edge line shall be yellow for left lane closure.
- (b) Vertical panels at 25' centers with steady burning monodirectional lights.

REVISIONS	
NAME	DATE

ILLINOIS DEPARTMENT OF TRANSPORTATION

**TRAFFIC CONTROL DETAILS
LEFT LANE CLOSURE**

SCALE: VERT.
HORIZ.
DATE 06/21/04

DRAWN BY RW
CHECKED BY

Work this sheet with Traffic Control Standards 701400 & 701402

Date: 01/10/05
bridgepaint05/2005-1/ae.talls.dgn