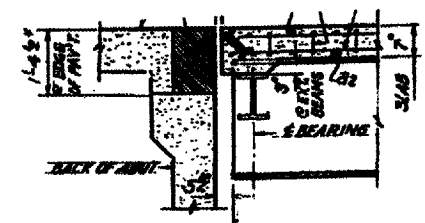
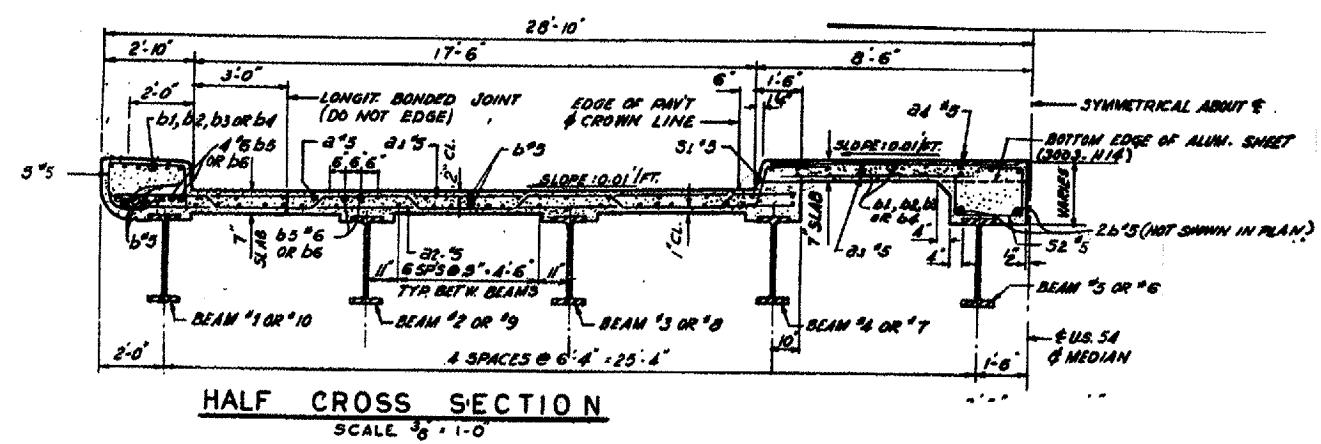
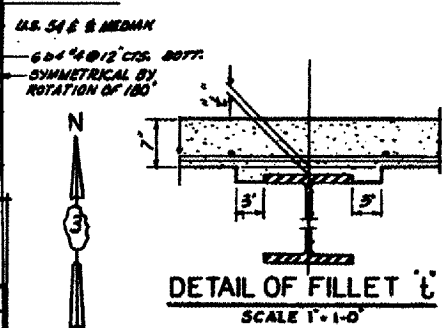
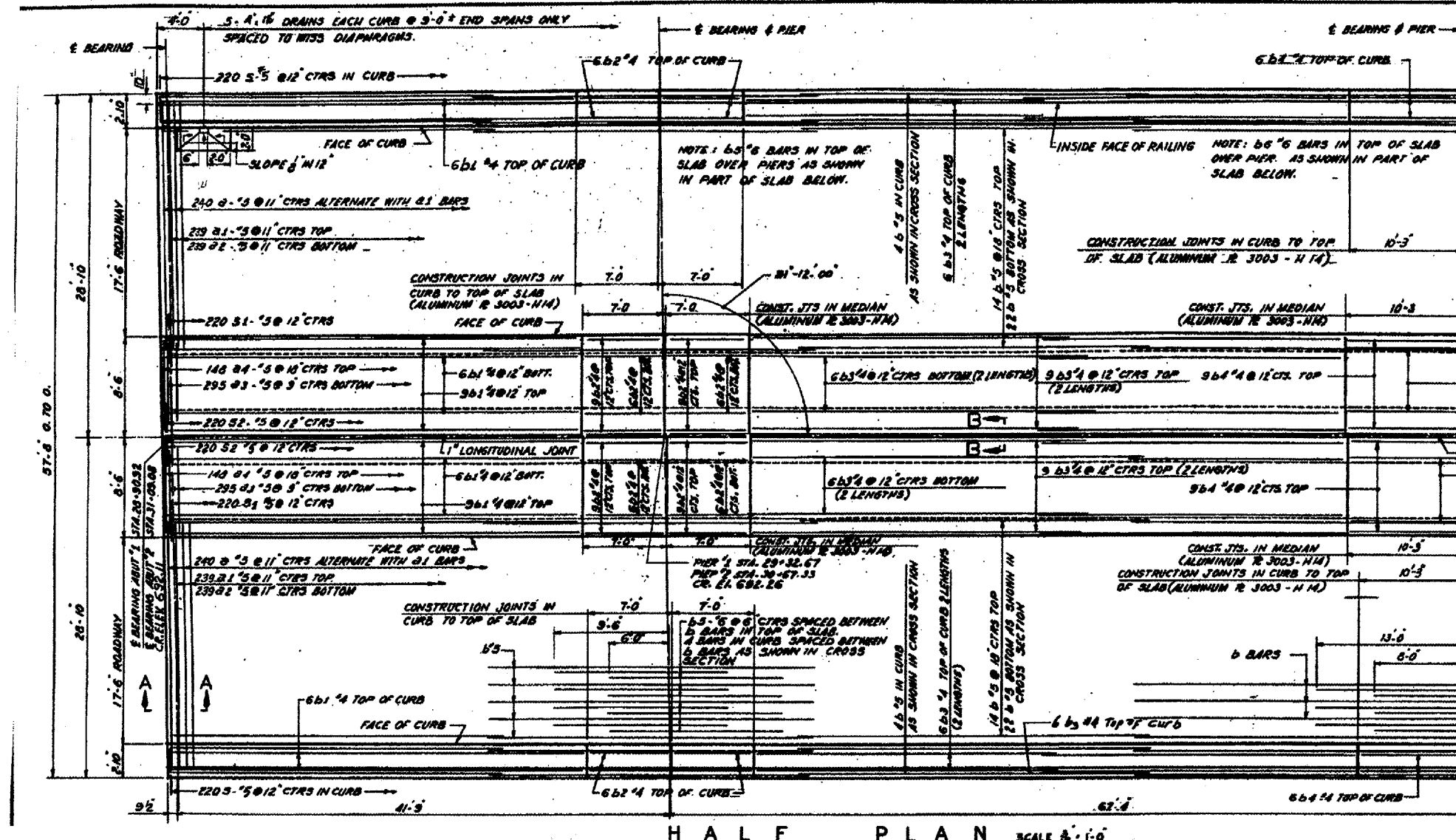


F.A.I. SHEETS	SECTION	COUNTY	TOTAL SHEETS
57	D-3 BRIDGE PAINTING 2005-1	IROQUOIS	16 8
FED. ROAD DIST. NO.		ILLINOIS FED. AID PROJECT	



REVISIONS	
NAME	DATE

ILLINOIS DEPARTMENT OF TRANSPORTATION
**EXISTING STRUCTURE PLANS
 FOR INFORMATION ONLY**
BRIDGE NO. 1
S.N. 038-0048

VERT. SCALE: DRAWN BY RW
 HORIZ. SCALE: CHECKED BY
 DATE 01/10/05

Date: 01/10/05
 bridgepaint/05/2005-1/details.dgn