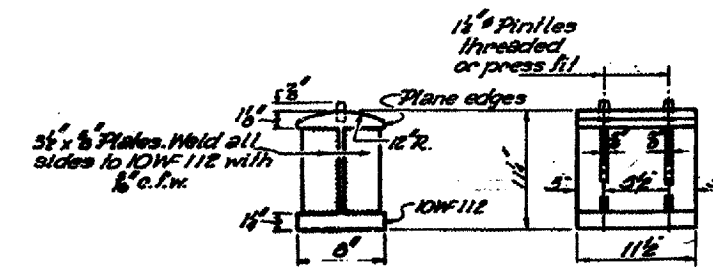
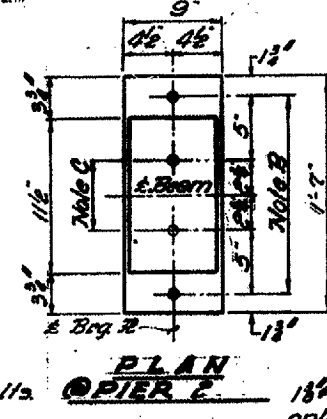
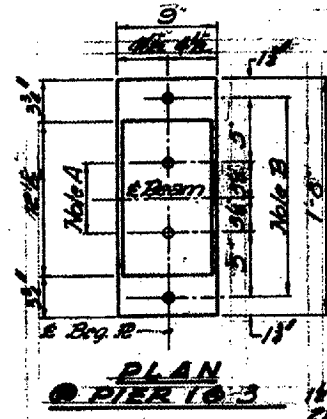
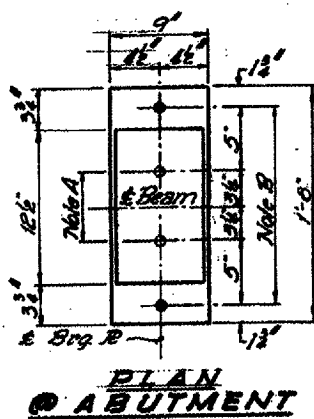
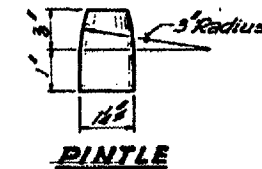
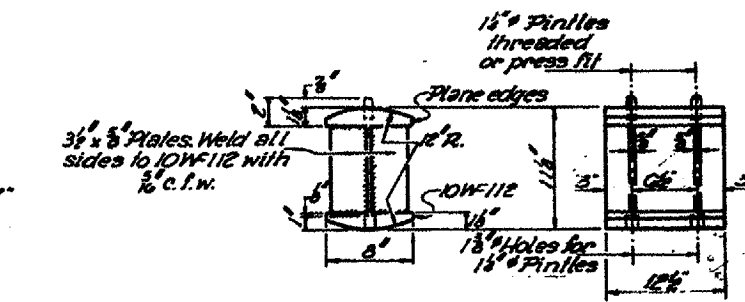
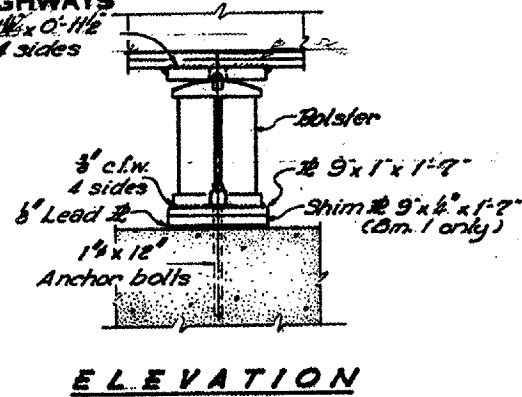
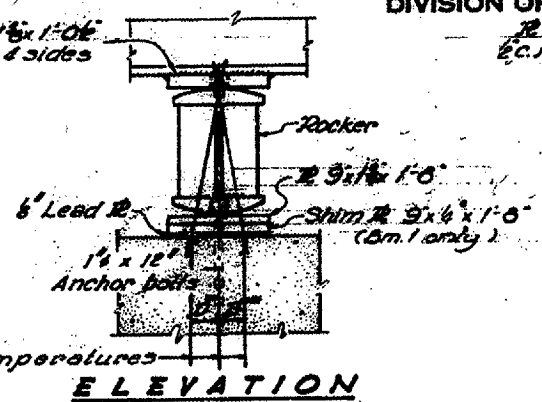
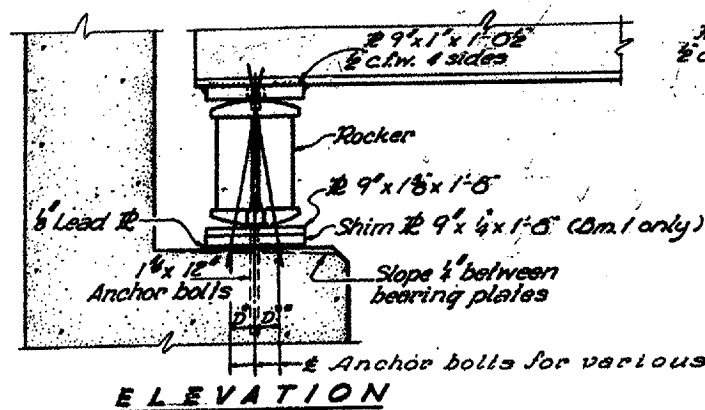


F.A.I. RY.	SECTION	COUNTY	TOTAL SHEETS	SHEET NO.
57	D-3 BRIDGE PAINTING 2005-1	IROQUOIS	16	14
FED. ROAD DIST. NO.		ILLINOIS FED. AID PROJECT		

STATE OF ILLINOIS
DEPARTMENT OF PUBLIC WORKS & BUILDINGS
DIVISION OF HIGHWAYS



Note A
1 1/2" Holes - 1" deep in top flange for pin. Thread or press fit pin into bottom flange.

Note B
1 1/2" Holes for 1 1/2" anchor bolts. 2 1/2" x 2 1/2" x 1/2" R. Washer under nut.

Note C
1 1/2" Holes - 1" deep in top flange only for 1 1/2" pin.

BEARING ASSEMBLY DETAILS

REVISIONS	
NAME	DATE

ILLINOIS DEPARTMENT OF TRANSPORTATION
EXISTING STRUCTURE PLANS FOR INFORMATION ONLY
BRIDGE NO. 4
S.N. 038-0134
SCALE: VERT. DATE: 01/10/05
DRAWN BY: RW
CHECKED BY: