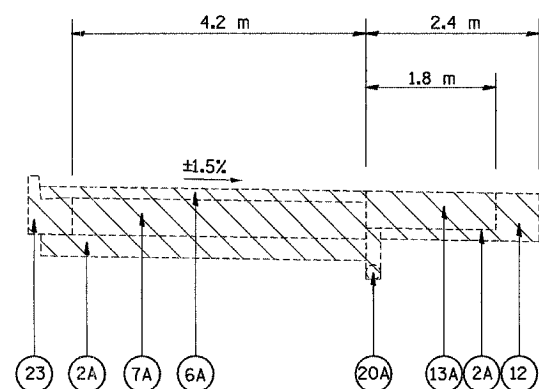


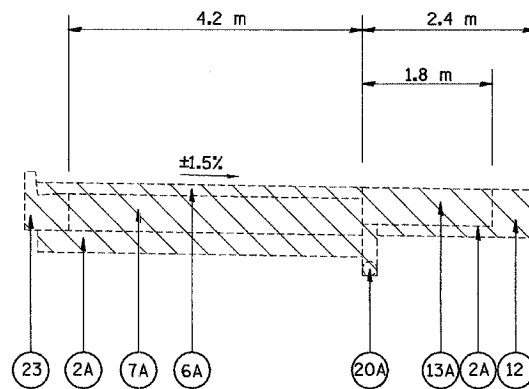
I:\projects\roadwork\131101-fam.dwg 12/20/2004 3:15:13 PM

68201

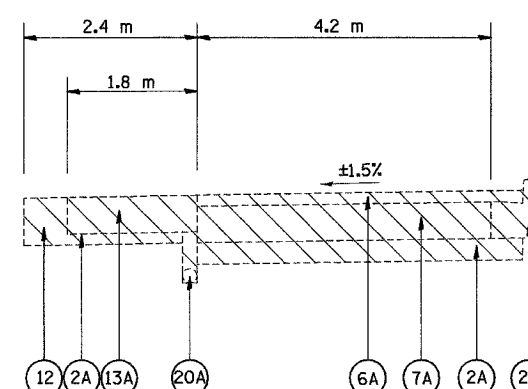
F.A.I. RTE.	SECTION	COUNTY	TOTAL SHEETS	SHEET NO.
74	*	TAZEWELL	1366	48
STA.		TO STA.		
FED. ROAD DIST. NO.		ILLINOIS FED. AID PROJECT		
* (90-11R-2) 90(3,4,4)-1R-1				



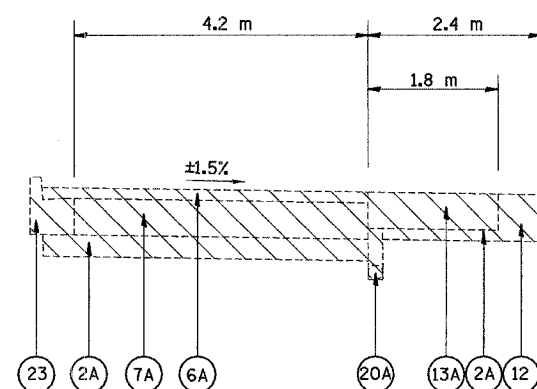
RAMP 18
(STA. 0+048.0 TO 0+329.2)



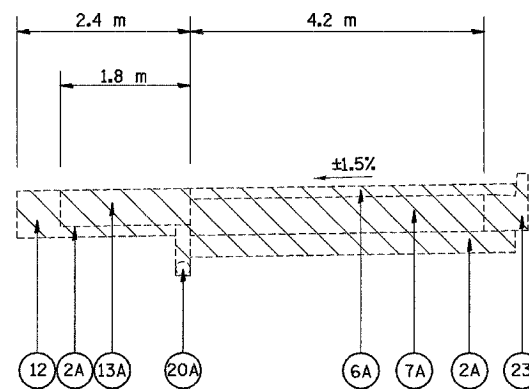
RAMP 20
(STA. 6+012.0 TO 6+22.3)



RAMP 23
(STA. 1+052.9 TO 1+281.5)



RAMP 19
(STA. 5+004.6 TO 5+199.0)



RAMP 21
(STA. 7+232.0 TO 7+464.4)

INDICATES ITEMS TO BE REMOVED

NOTES:
ALL DIMENSIONS ARE IN MILLIMETERS (mm)
UNLESS OTHERWISE STATED.

LEGEND

- ① EXISTING GROUND LINE
- ②A EX SUB-BASE GRANULAR MATERIAL 150 MM
- ⑥A EX BITUMINOUS RESURFACING 75 MM
- ⑦A EX PCC PAVEMENT 250 MM (REINFORCED)
- ⑫ EX AGGREGATE SHOULDERS
- ⑬A EX BITUMINOUS SHOULDERS 250 MM
- ⑳A EX PIPE UNDERDRAINS 100 MM
- ㉓ EX COMBINATION CONCRETE CURB & GUTTER



REVISIONS	
NAME	DATE

ILLINOIS DEPARTMENT OF TRANSPORTATION
 FAI ROUTE 74 (I-74)
 EXISTING TYPICAL SECTIONS
 RAMPS
 NUMBERS 18, 19, 20, 21 & 23
 DATE 12/20/04
 DRAWN BY DER
 CHECKED BY MLB