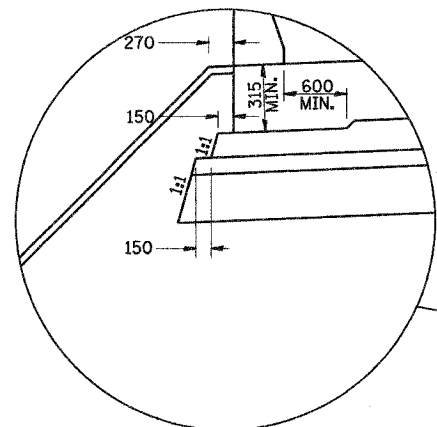


F.A.I. RTE.	SECTION	COUNTY	TOTAL SHEETS	SHEET NO.
74	*	TAZEWELL	1366	62
STA.		TO STA.		
FED. ROAD DIST. NO.		ILLINOIS FED. AID PROJECT		
* (90-IBR-2; 90I3,14,14-IBR-1)				

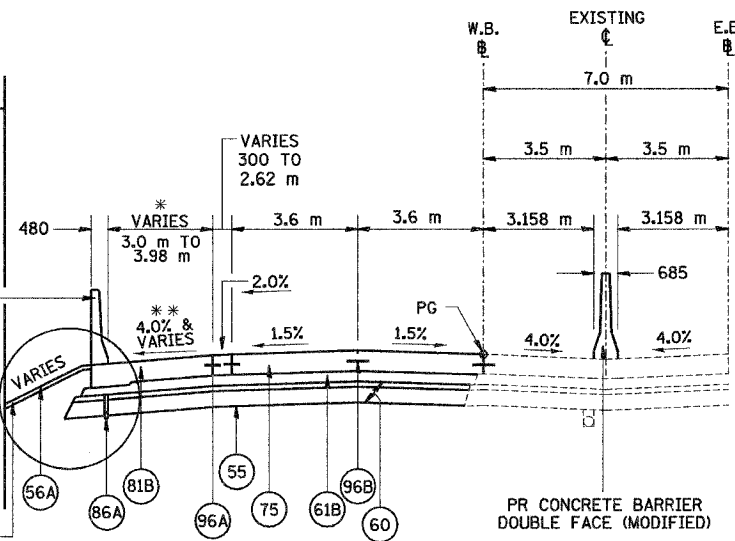


TYPICAL SUB-BASE DETAIL
(TO SHOW DIMENSIONS ONLY)

SEE RAMP J-3
TYP. SECTION

PR CONCRETE BARRIER
SINGLE FACE (MODIFIED)
END STA. 153+225.000

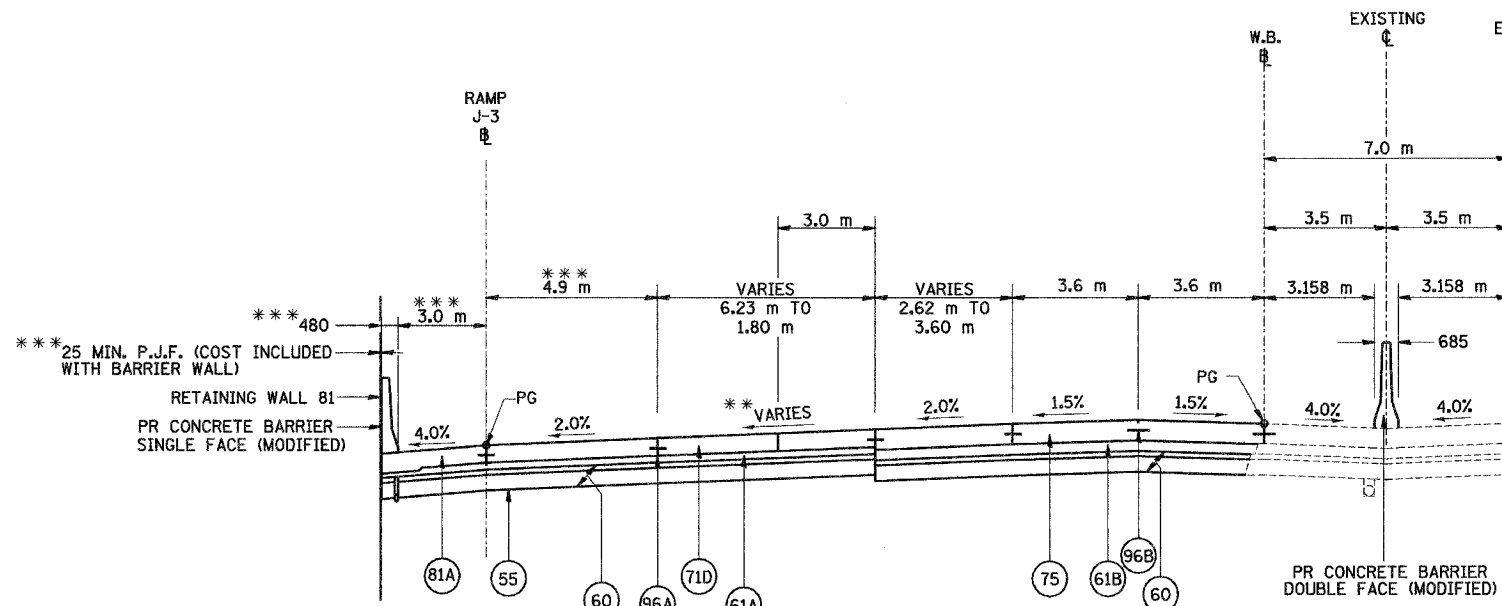
SEEDING, CLASS 4A



TYPICAL SECTION NO. 12

STA. 153+167.850 TO STA. 153+283.550 WB

12



TYPICAL SECTION NO. 13

STA. 153+283.550 TO STA. 153+332.844 WB

13

- * SEE IMPACT ATTENUATOR DETAIL SHEET
- ** SEE RAMP GORE & PAVEMENT JOINT DETAIL SHEET
- *** AT RIGHT ANGLES TO RAMP J-3

LEGEND			
55	PR GEOTECHNICAL FABRIC FOR GROUND STABILIZATION	89K	PR COMB. CONCRETE C&G, TYPE B-15.45
56A	PR FURNISH AND PLACE TOPSOIL, 100 MM	96A	PR LONGITUDINAL CONSTRUCTION JOINT (TYPICAL)
60	PR AGGREGATE SUB-BASE, 300 MM	96B	PR SAWED LONGITUDINAL JOINT (TYPICAL)
61A	PR BITUMINOUS CONCRETE BINDER COURSE, SUPERPAVE, IL-19.0L (LOW ESAL), 100MM	81A	PR PORTLAND CEMENT CONCRETE SHOULDERS 250 MM
61B	PR BITUMINOUS CONCRETE BINDER COURSE, SUPERPAVE, IL-19.0L (LOW ESAL), 150MM	81B	PR PORTLAND CEMENT CONCRETE SHOULDERS, 290 MM
71D	PR PORTLAND CEMENT CONCRETE PAVEMENT 250MM (JOINTED)	82	PR RETAINING WALL (SEE WALL PLANS)
75	PR CONTINUOUSLY REINFORCED PORTLAND CEMENT CONCRETE PAVEMENT, 290 MM	86A	PR PIPE UNDERDRAINS, 100 MM
79	PR AGGREGATE SHOULDERS, TYPE B	86B	PR PIPE UNDERDRAINS, 150 MM
		88	PR CONCRETE GUTTER, TYPE A (MODIFIED)
		89B	PR COMB. CONCRETE C&G, TYPE B-15.60

NOTES:

SHOULDERS ADJACENT TO THE HIGH SIDE OF SUPERELEVATED PAVEMENT SHALL BE 4% OR 8% MINUS THE RATE OF SUPER, WHICHEVER IS LESS. ADJACENT TO THE LOW SIDE OF SUPERELEVATED PAVEMENT SHOULDERS SHALL HAVE A SLOPE OF 4% OR THE RATE OF SUPER, WHICHEVER IS GREATER.

ALL DIMENSIONS ARE IN MILLIMETERS (mm) UNLESS OTHERWISE STATED.

(60) IS SHOWN IN TWO LAYERS TO DENOTE THE TWO GRADATIONS THAT MAKE UP THIS PAY ITEM.

REVISIONS	
NAME	DATE

ILLINOIS DEPARTMENT OF TRANSPORTATION
FAI ROUTE 74 (I-74)
PROPOSED TYPICAL SECTIONS
FAI ROUTE 74 (I-74) (WB)
NUMBERS 12 & 13
DRAWN BY DER
CHECKED BY MLB
DATE 12-20-04

