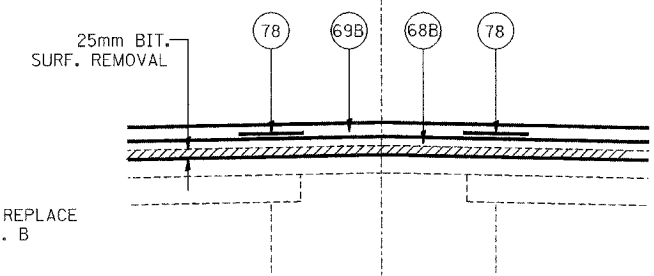
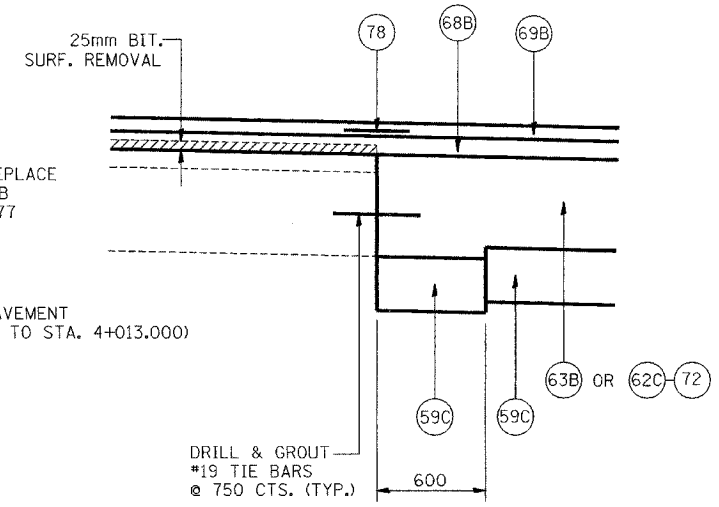
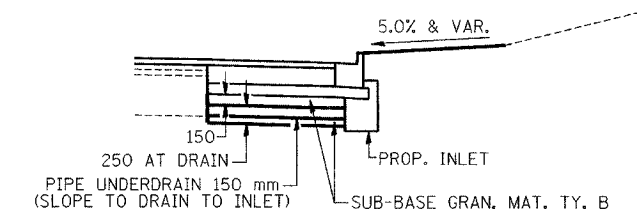
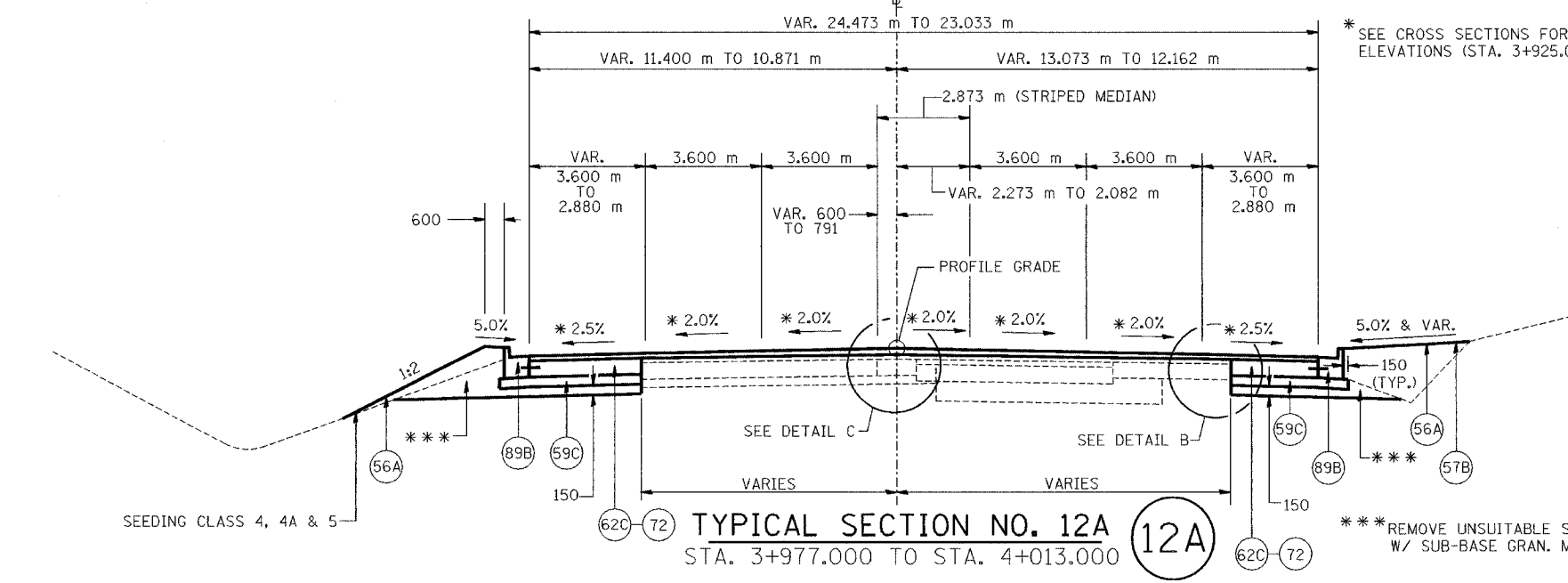
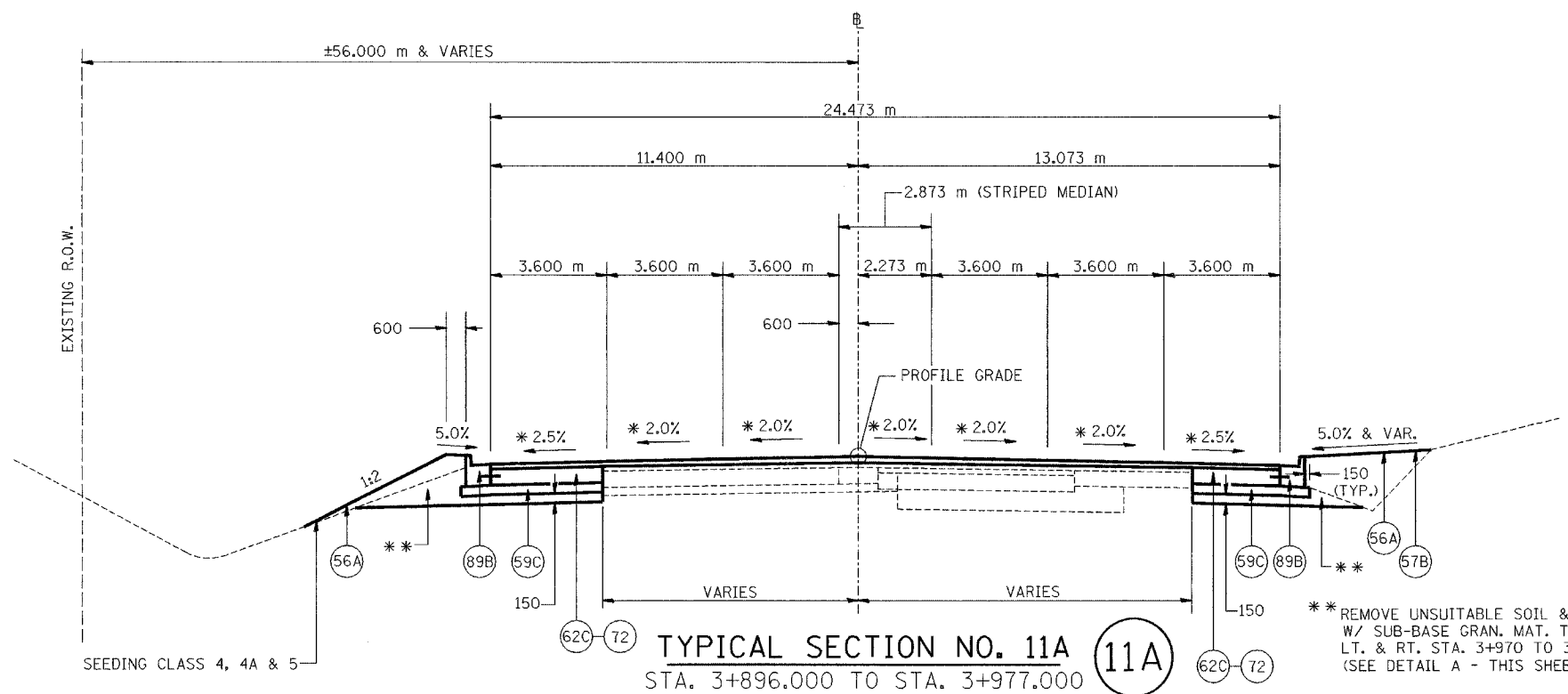


F.A.I. RTE.	SECTION	COUNTY	TOTAL SHEETS	SHEET NO.
74	*	TAZEWELL	1366	84
STA. TO STA.		ILLINOIS FED. AID PROJECT		
FED. ROAD DIST. NO.		*(90-11)R-2;90(13,14,14-1)R-1		



LEGEND			
56A	PR FURNISH AND PLACE TOP SOIL 100 mm	78	PR STRIP REFLECTIVE CRACK CONTROL TREATMENT
57B	PR SODDING, SALT TOLERANT	89A	PR COMBINATION CONCRETE CURB AND GUTTER, TYPE B-15.30
59B	PR SUB-BASE GRANULAR MATERIAL, TYPE A 300 mm	89B	PR COMBINATION CONCRETE CURB AND GUTTER, TYPE B-15.60
59C	PR SUB-BASE GRANULAR MATERIAL, TYPE B 150 mm	90A	PR CONCRETE MEDIAN, TYPE SB-15.30
62C	PR PORTLAND CEMENT CONCRETE BASE COURSE 250 mm	96A	PR LONGITUDINAL CONSTRUCTION JOINT
63B	PR PORTLAND CEMENT CONCRETE BASE COURSE WIDENING 250 mm		
64E	PR BITUMINOUS BASE COURSE 250 mm		
68B	PR BITUMINOUS CONCRETE BINDER COURSE, SUPERPAVE, IL-19.0, N70, 50 mm (MIN.)		
69B	PR BITUMINOUS CONCRETE SURFACE COURSE, SUPERPAVE, MIX "D", N70, 38 mm		
71D	PR PORTLAND CEMENT CONCRETE PAVEMENT 250 mm (JOINTED)		
72	PR PAVEMENT FABRIC		

NOTES: ALL DIMENSIONS ARE IN MILLIMETERS (mm) UNLESS OTHERWISE STATED.

REVISIONS	
NAME	DATE

ILLINOIS DEPARTMENT OF TRANSPORTATION
FAI ROUTE 74 (I-74)
PROPOSED TYPICAL SECTIONS
ILL. 116 - U.S. 150 - MAIN ST.
NUMBERS 11A & 12A
DRAWN BY MLS
CHECKED BY JJM
DATE 12-20-04

