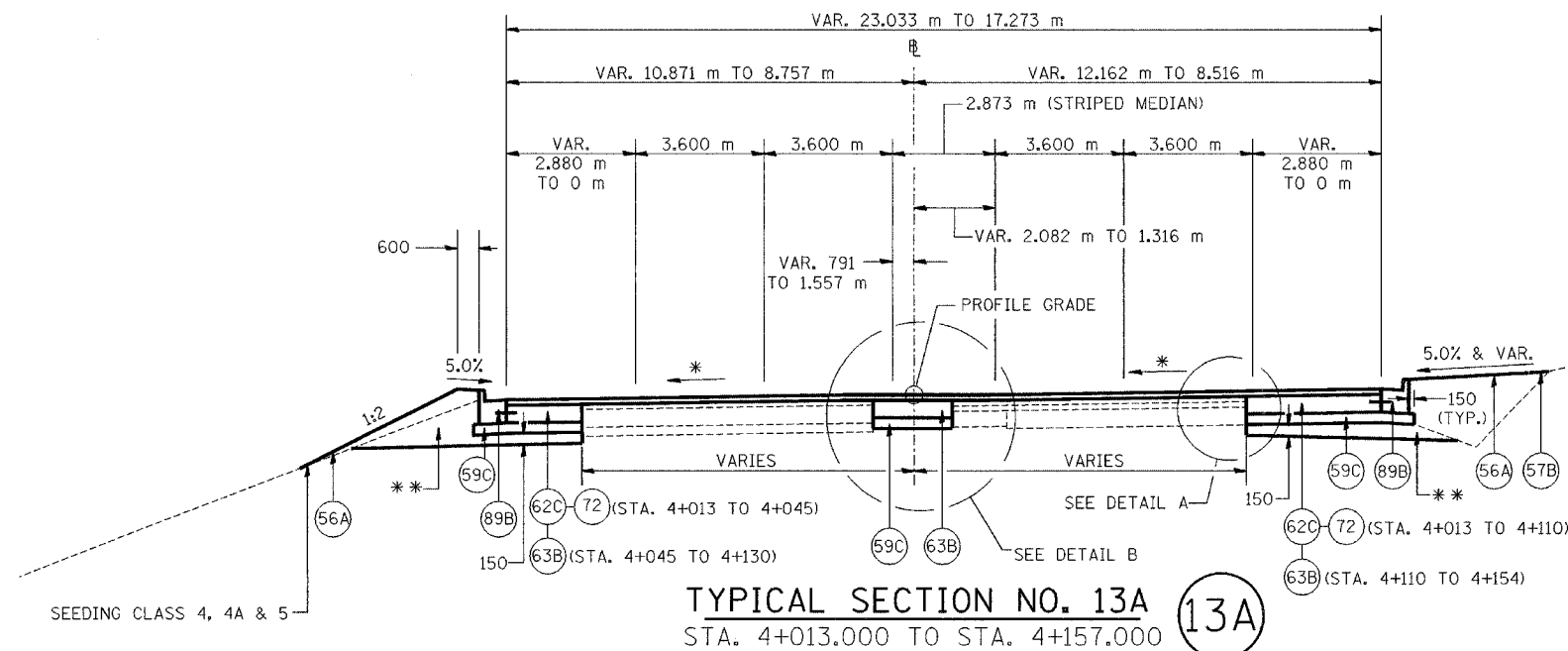
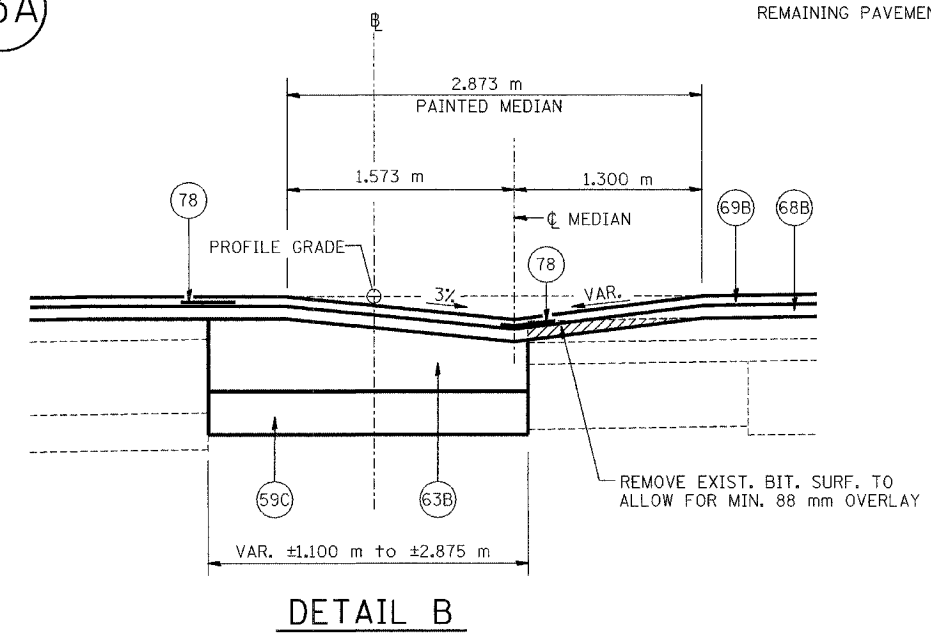
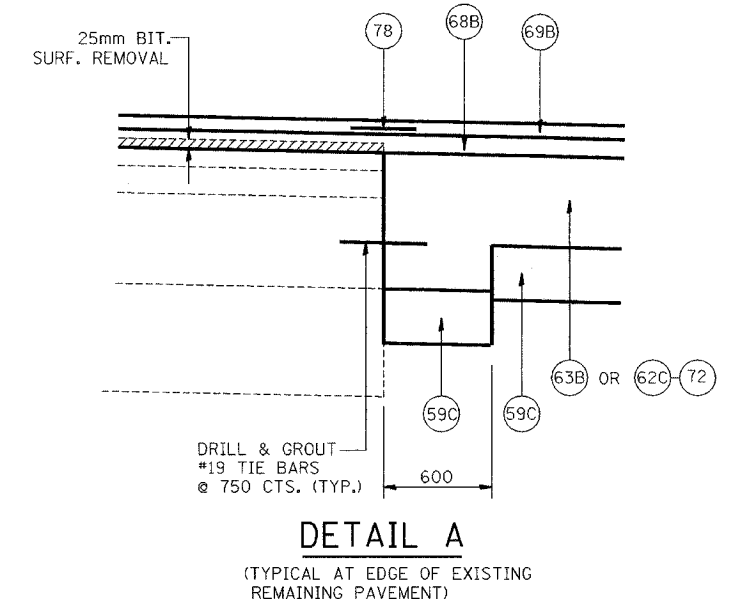


| F.A.I. RTE. | SECTION | COUNTY | TOTAL SHEETS | SHEET NO. |
|---------------------|---------|---------------------------|--------------|-----------|
| 74 | * | TAZEWELL | 1366 | 85 |
| STA. | | TO STA. | | |
| FED. ROAD DIST. NO. | | ILLINOIS FED. AID PROJECT | | |

*(90-11)R-2;90(13,14,14-1)R-1



*SEE CROSS SECTIONS FOR PAVEMENT ELEVATIONS
 ** REMOVE UNSUITABLE SOIL & REPLACE W/ SUB-BASE GRAN. MAT. TY. B LT. & RT. STA. 4+013 TO 4+045



LEGEND

- 56A PR FURNISH AND PLACE TOP SOIL 100 mm
- 57B PR SODDING, SALT TOLERANT
- 59B PR SUB-BASE GRANULAR MATERIAL, TYPE A 300 mm
- 59C PR SUB-BASE GRANULAR MATERIAL, TYPE B 150 mm
- 62C PR PORTLAND CEMENT CONCRETE BASE COURSE 250 mm
- 63B PR PORTLAND CEMENT CONCRETE BASE COURSE WIDENING 250 mm
- 64E PR BITUMINOUS BASE COURSE 250 mm
- 68B PR BITUMINOUS CONCRETE BINDER COURSE, SUPERPAVE, IL-19.0, N70, 50 mm (MIN.)
- 69B PR BITUMINOUS CONCRETE SURFACE COURSE, SUPERPAVE, MIX "D", N70, 38 mm
- 71D PR PORTLAND CEMENT CONCRETE PAVEMENT 250 mm (JOINTED)
- 72 PR PAVEMENT FABRIC
- 78 PR STRIP REFLECTIVE CRACK CONTROL TREATMENT
- 89A PR COMBINATION CONCRETE CURB AND GUTTER, TYPE B-15.30
- 89B PR COMBINATION CONCRETE CURB AND GUTTER, TYPE B-15.60
- 90A PR CONCRETE MEDIAN, TYPE SB-15.30
- 96A PR LONGITUDINAL CONSTRUCTION JOINT

NOTES: ALL DIMENSIONS ARE IN MILLIMETERS (mm) UNLESS OTHERWISE STATED.

| REVISIONS | |
|-----------|------|
| NAME | DATE |
| | |
| | |
| | |
| | |
| | |



ILLINOIS DEPARTMENT OF TRANSPORTATION
 FAI ROUTE 74 (I-74)
 PROPOSED TYPICAL SECTIONS
 ILL. 116 - U.S. 150 - MAIN ST.
 NUMBER 13A
 DATE 12-20-04
 DRAWN BY MLS
 CHECKED BY JJM