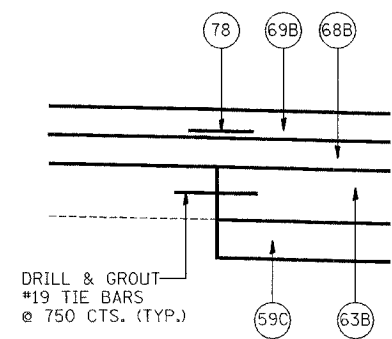
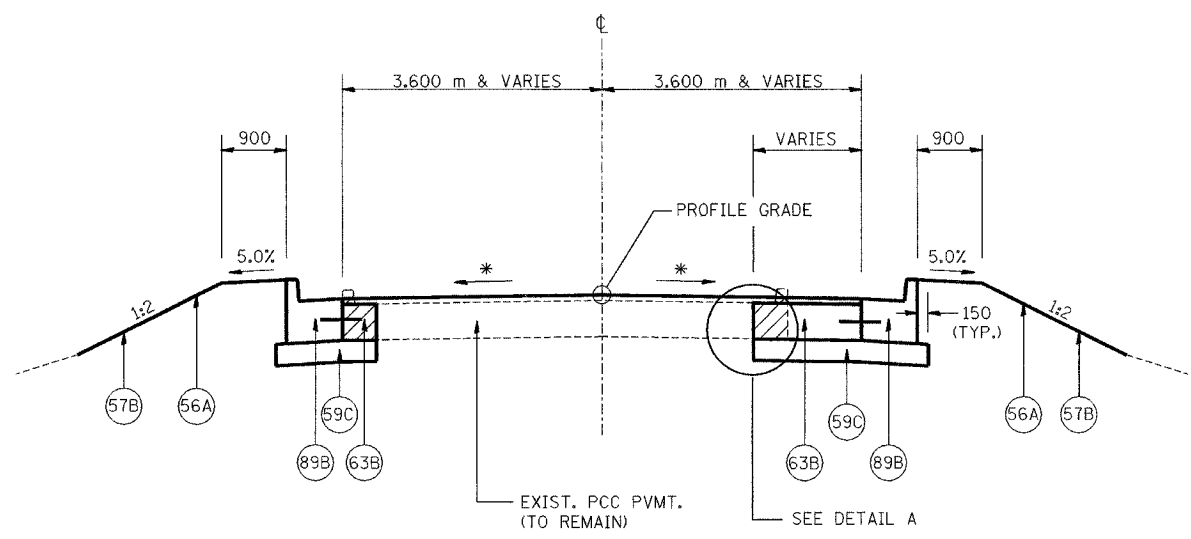


M:\E:\382\101111\101111.dwg 12/20/04 3:26:33

68201			
F.A.I. RTE.	SECTION	COUNTY	TOTAL SHEETS NO.
74	*	TAZEWELL	1366 90
STA.	TO STA.		
FED. ROAD DIST. NO.	ILLINOIS FED. AID PROJECT		

*(90-11)R-2;90(13,14,14-1)R-1



DETAIL A
(TYPICAL AT EDGE OF EXISTING REMAINING PAVEMENT)

INDICATES REMOVAL OF EXIST. CONC. C&G.

TYPICAL SECTION
(FRONTAGE RD. @ BLACKJACK BLVD. - W. LEG)
(STA. 10+008.900 TO 10+030.825)

* MATCH EXIST. PVMT. SLOPE (±1.5%)

LEGEND			
56A	PR FURNISH AND PLACE TOP SOIL 100 mm	78	PR STRIP REFLECTIVE CRACK CONTROL TREATMENT
57B	PR SODDING, SALT TOLERANT	68B	PR BITUMINOUS CONCRETE BINDER COURSE, SUPERPAVE, IL-19.0, N70, 50 mm (MIN.)
59B	PR SUB-BASE GRANULAR MATERIAL, TYPE A 300 mm	69B	PR BITUMINOUS CONCRETE SURFACE COURSE, SUPERPAVE, MIX "D", N70, 38 mm
59C	PR SUB-BASE GRANULAR MATERIAL, TYPE B 150 mm	71D	PR PORTLAND CEMENT CONCRETE PAVEMENT 250 mm (JOINTED)
62C	PR PORTLAND CEMENT CONCRETE BASE COURSE 250 mm	72	PR PAVEMENT FABRIC
63B	PR PORTLAND CEMENT CONCRETE BASE COURSE WIDENING 250 mm	89A	PR COMBINATION CONCRETE CURB AND GUTTER, TYPE B-15.30
64E	PR BITUMINOUS BASE COURSE 250 mm	89B	PR COMBINATION CONCRETE CURB AND GUTTER, TYPE B-15.60
		90A	PR CONCRETE MEDIAN, TYPE SB-15.30
		96A	PR LONGITUDINAL CONSTRUCTION JOINT

NOTES: ALL DIMENSIONS ARE IN MILLIMETERS (mm) UNLESS OTHERWISE STATED.

SHEET 5 OF 5



REVISIONS	
NAME	DATE

ILLINOIS DEPARTMENT OF TRANSPORTATION
FAI ROUTE 74 (I-74)
PROPOSED TYPICAL SECTIONS
SIDE RD.
FRONTAGE RD. @ BLACKJACK BLVD.
DRAWN BY MLS
CHECKED BY JJM
DATE 12-20-04