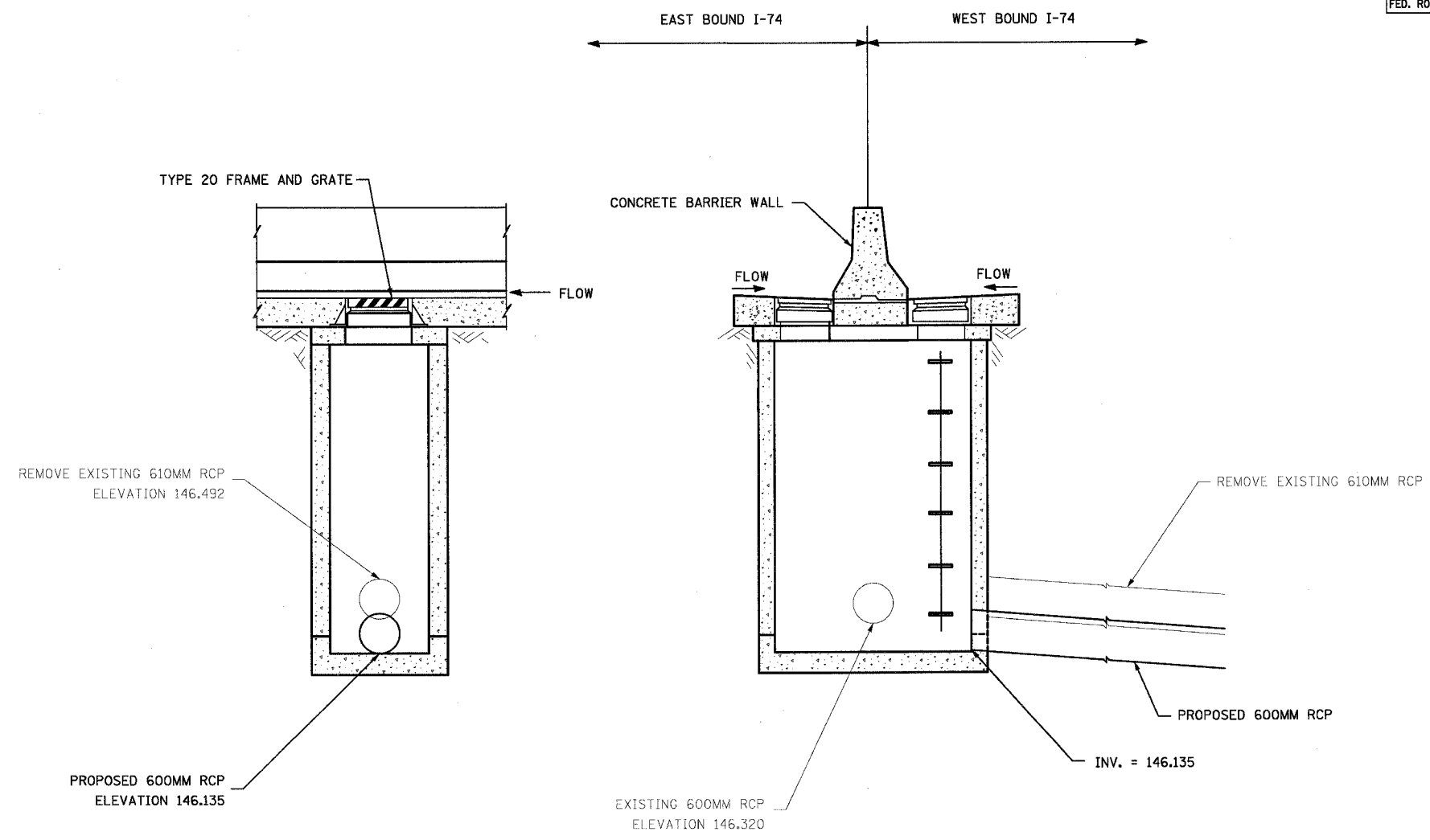


F.A.I. RTE.	SECTION	COUNTY	TOTAL SHEETS	SHEET NO.
74	(90-11R-2; 9013,14,14-1R-1	TAZEWELL	1366	268
STA.		TO STA.		
FED. ROAD DIST. NO. 4		ILLINOIS FED. AID PROJECT		



SIDE ELEVATION - TYPE 1  
STATION 152+729  
STRUCTURE NO. 100

FRONT ELEVATION - TYPE 1  
STATION 152+729  
STRUCTURE NO. 100

NOTE:  
THIS DETAIL IS FOR THE STAGED  
CONSTRUCTION OF THE EXISTING DRAINAGE  
STRUCTURE TYPE 1 AT STATION 152+730,  
SHOWN ON PROPOSED DRAINAGE SHEET 2 OF 5.

THE EXISTING 610MM PIPE IS UNDER  
WESTBOUND I-74.

REVISIONS	
NAME	DATE

ILLINOIS DEPARTMENT OF TRANSPORTATION  
F.A.I. ROUTE 74 (I-74)  
DRAINAGE STRUCTURE DETAIL



DATE 12-20-2004  
DRAWN BY RTG  
CHECKED BY RTG