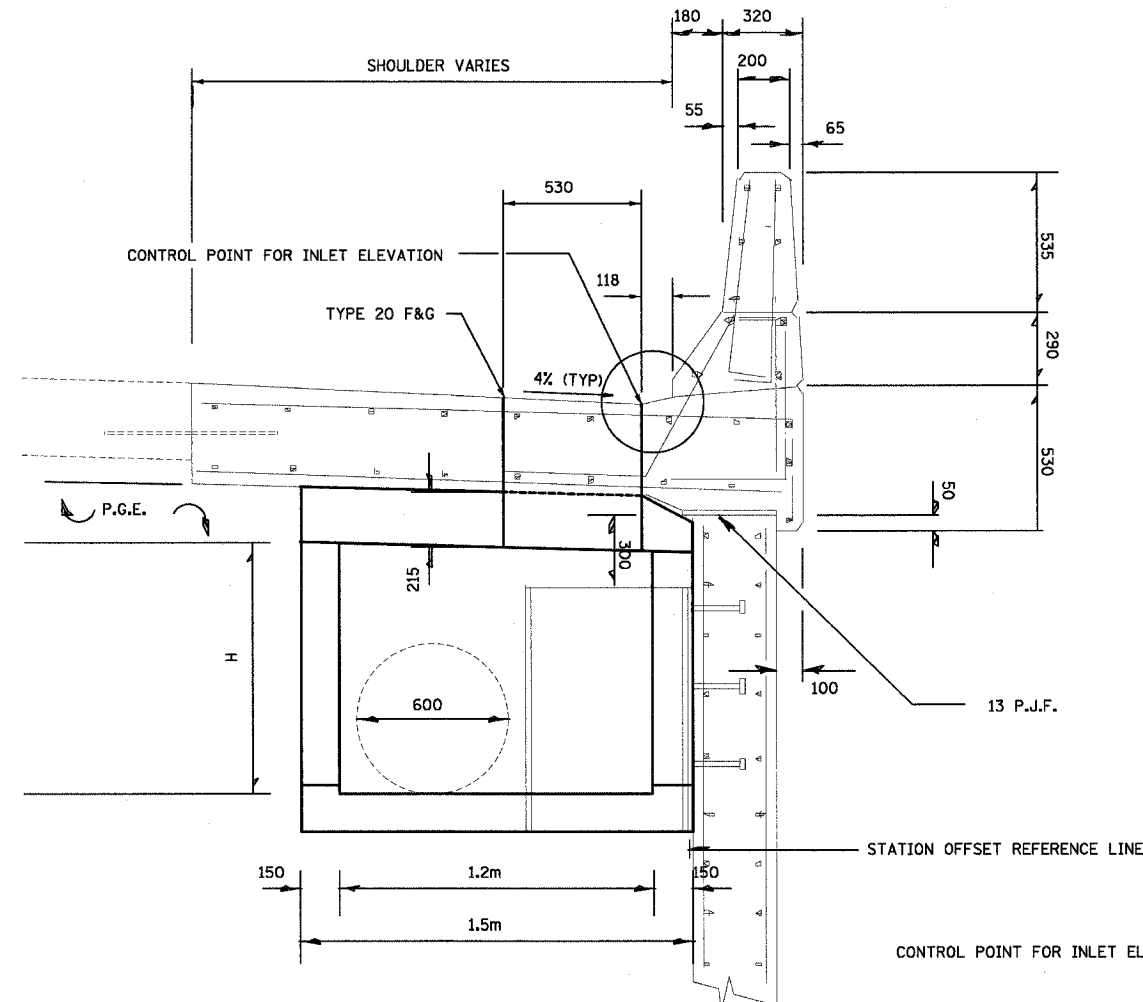
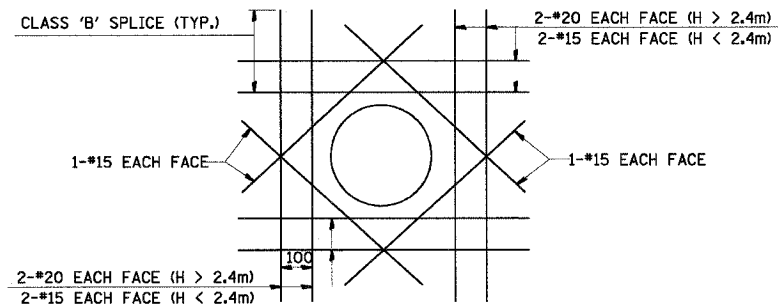


F.A.I. RTE.	SECTION	COUNTY	TOTAL SHEETS	SHEET NO.
74	(90-11R-2; 90(13,14,14-1R-1	TAZEWELL	1366	269
STA.		TO STA.		
FED. ROAD DIST. NO. 4 ILLINOIS FED. AID PROJECT				



**DRAINAGE STRUCTURE WITH TYPE 20 F&G**



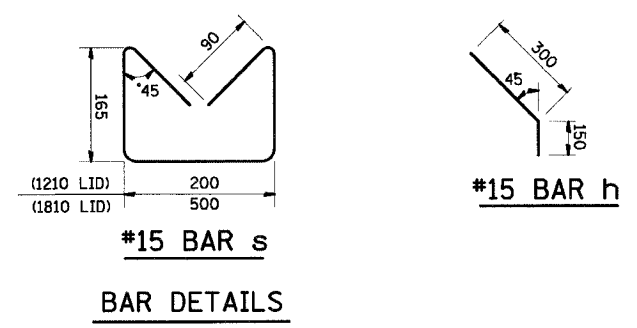
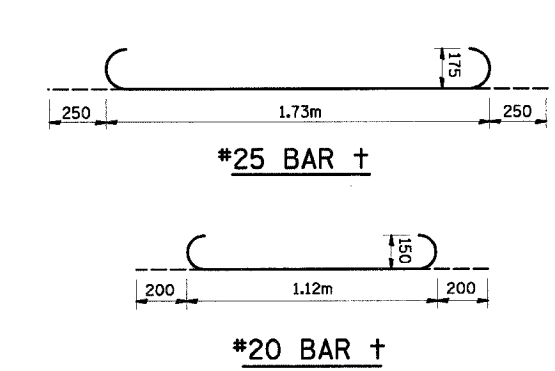
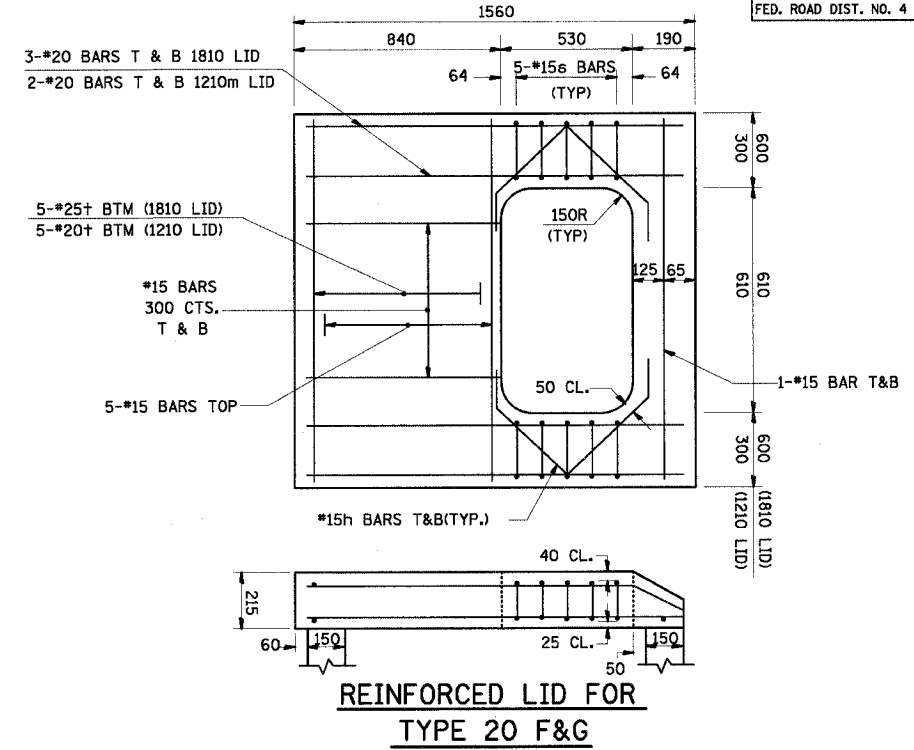
**TYPICAL REINFORCEMENT DETAIL AROUND SIDEWALL OPENINGS**

(OPENING > 300)

WHERE CLASS 'B' SPLICE LENGTH ANCHORAGE IS NOT POSSIBLE, BARS SHOULD BE HOOKED.

**NOTES:**

1. DRAINAGE STRUCTURE SHALL CONFORM TO HIGHWAY STANDARD 602101 EXCEPT AS NOTED.
2. REINFORCEMENT FOR STRUCTURE WALLS AND BASE SLAB SHALL BE IN ACCORDANCE WITH STD. 602101 FOR DEPTHS UP TO H=2.4m
3. LEAVE IN PLACE GEOCOMPOSITE WALL DRAIN CORRUGATIONS BETWEEN TIMBER LAGGING AND RETAINING WALL
4. DRAINAGE STRUCTURES ARE TO BE PLACED IN BETWEEN THE SOLDIER PILES AND WOOD LAGGING SHOULD BE REMOVED.



**BAR DETAILS**

REVISIONS	
NAME	DATE

ILLINOIS DEPARTMENT OF TRANSPORTATION  
**I-74 PROJECT STANDARD 602101-MODIFIED 2**  
**DRAINAGE STRUCTURE**  
**TYPE 1A**  
**1.2m x 0.9m AND 1.2m X 1.5m**  
**FOR H < 2.4m**  
 SCALE: VERT. NONE HORIZ. NONE  
 DATE 12-06-2004 DRAWN BY KMO CHECKED BY RTG

