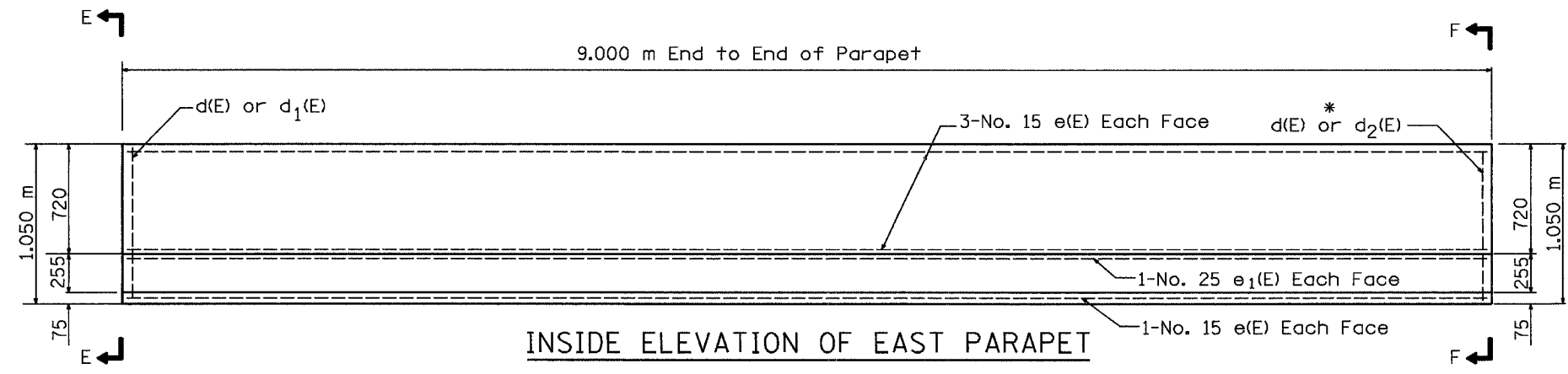
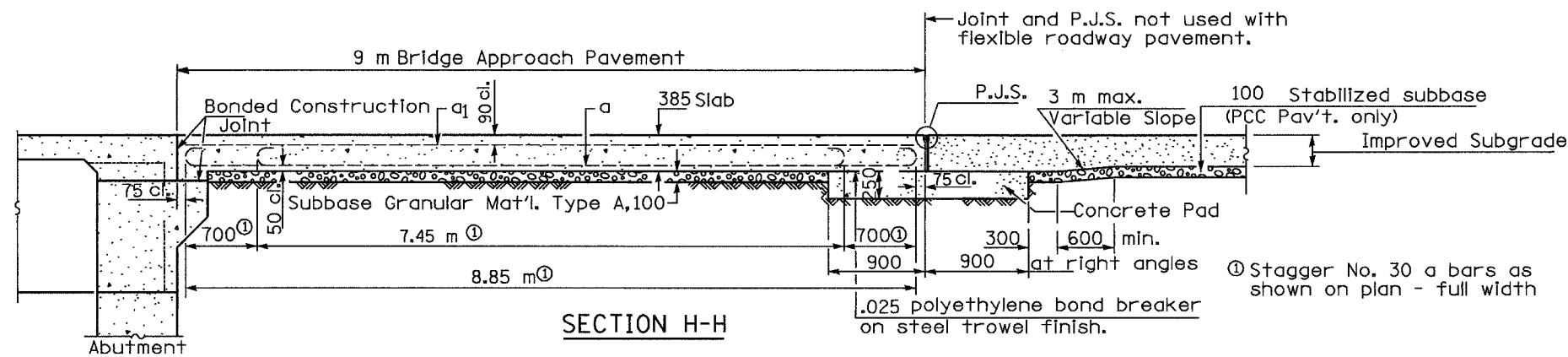
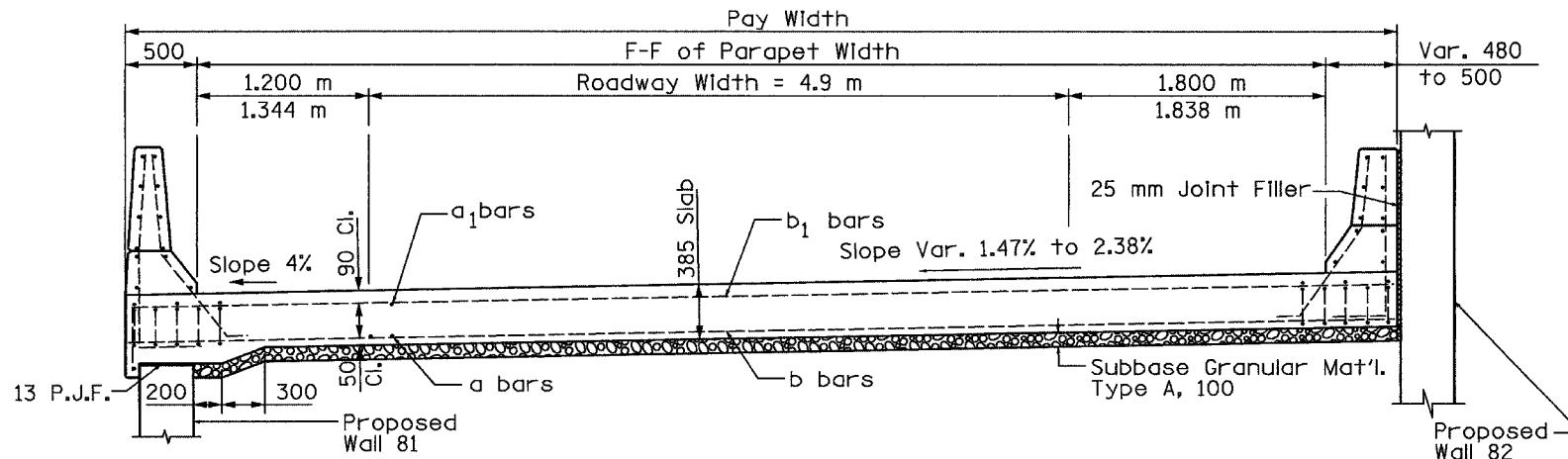
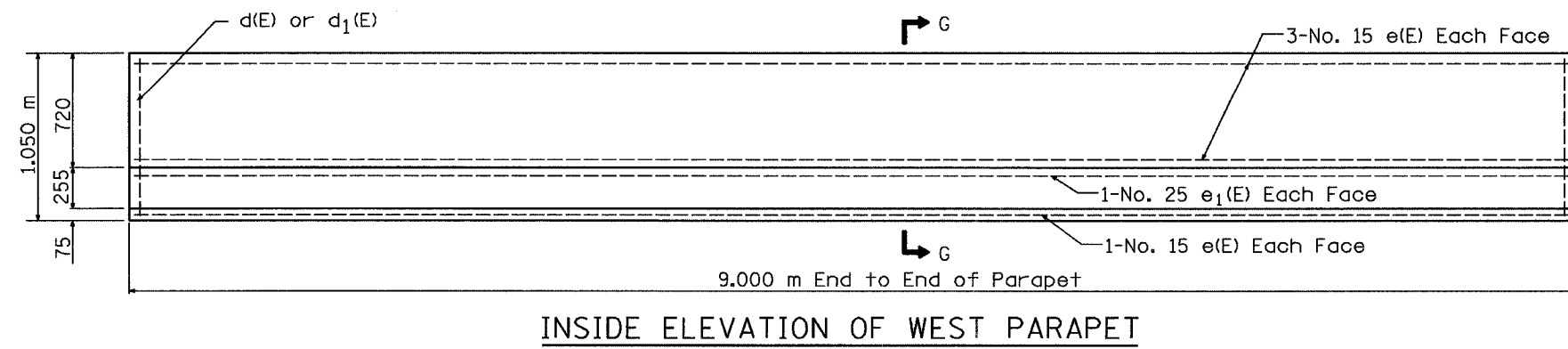


F.A.I. RTE.	SECTION	COUNTY	TOTAL SHEETS	SHEET NO.
74	90-11R-2,900,14,14-11R-1	TAZEWELL	1366	380
STA.		TO STA.		
FED. ROAD DIST. NO. 4		ILLINOIS FED. AID PROJECT		



* Bend Bars in the Front Face in Field if required.



Notes:

See Sheet 6 of 6 for Slab No. 6 Bill of Material.

All dimensions are in millimeters unless otherwise shown.

REVISIONS	
NAME	DATE

ILLINOIS DEPARTMENT OF TRANSPORTATION
 BRIDGE APPROACH PAVEMENT
 DETAILS EAST SLAB, RAMP K-2
 OVER MAIN ST. (ILL 116)
 DRAWN BY TMM
 CHECKED BY ACW
 DATE 12-20-04

