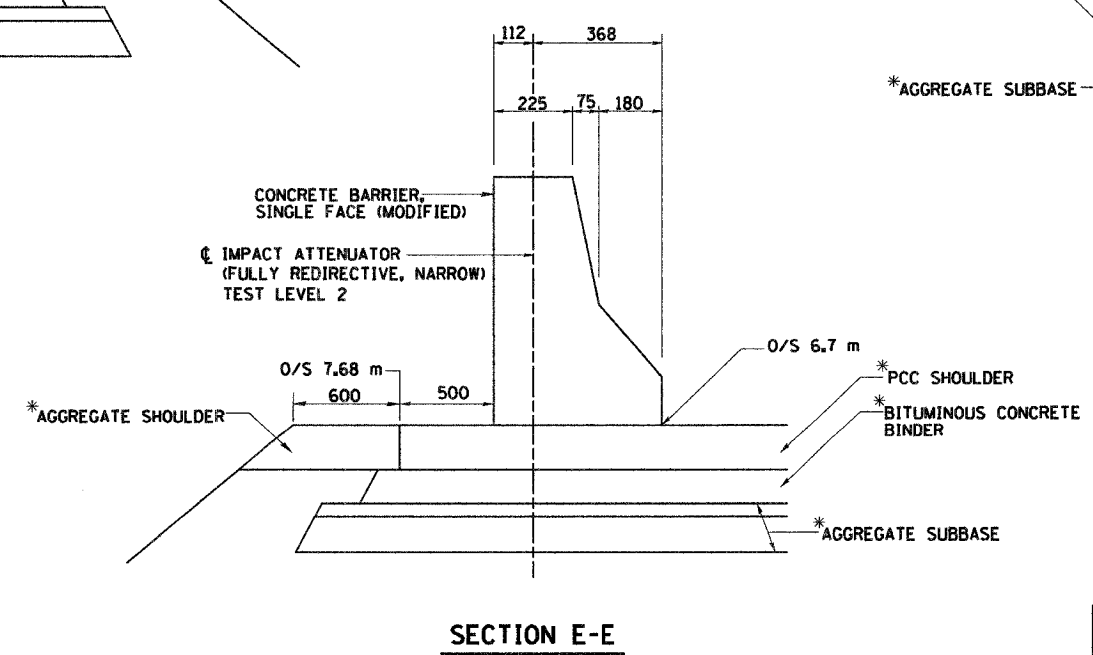
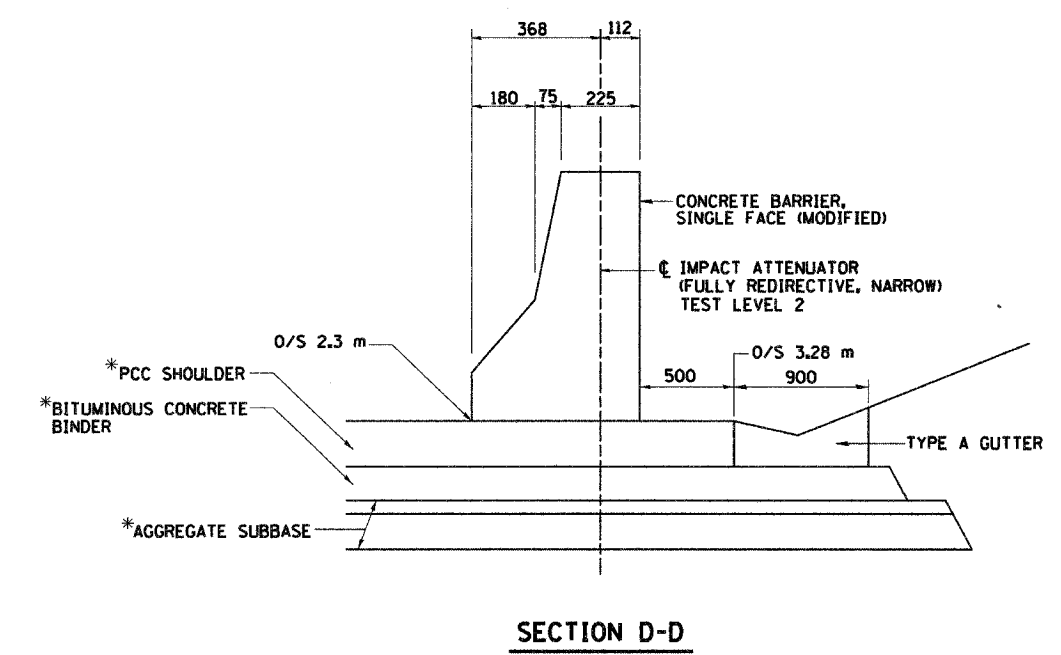
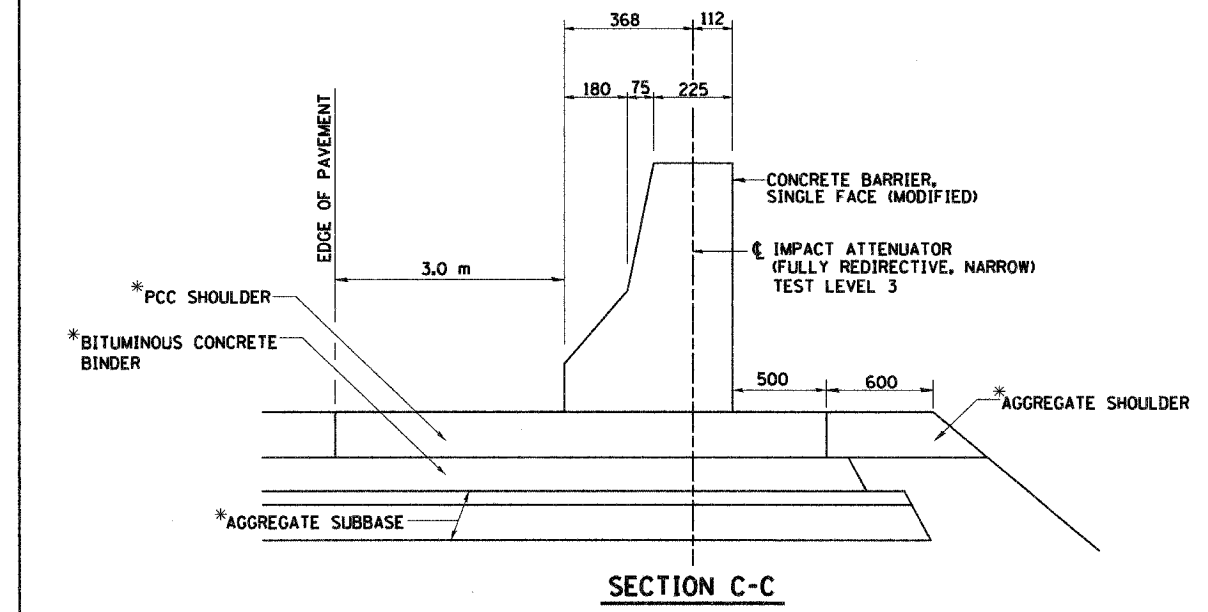
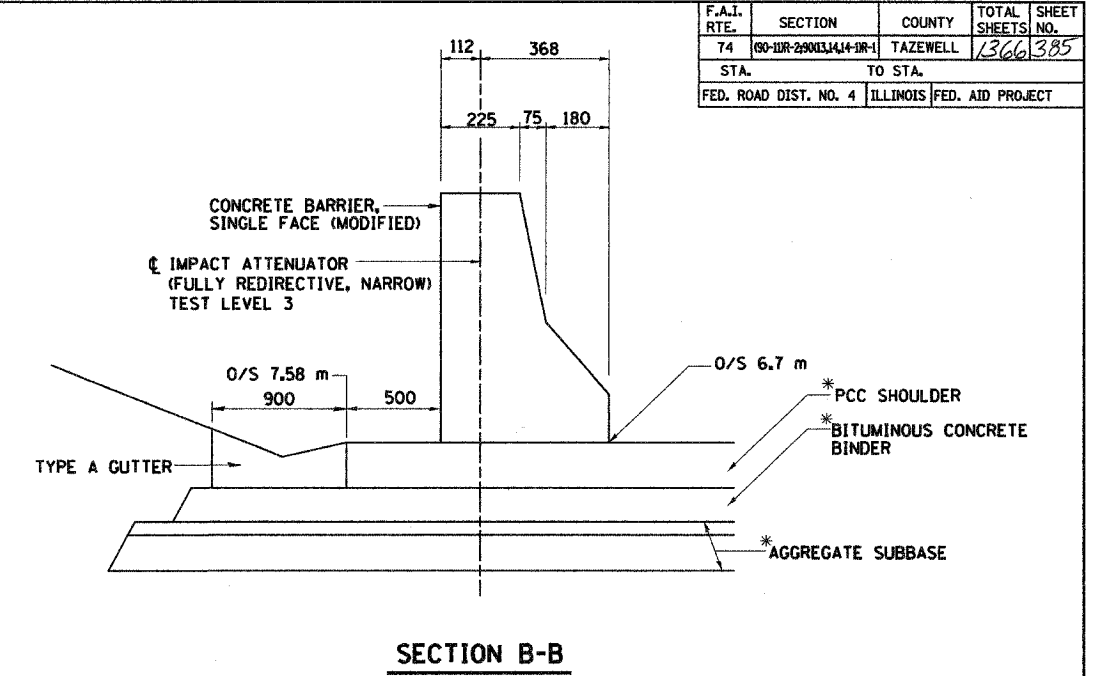
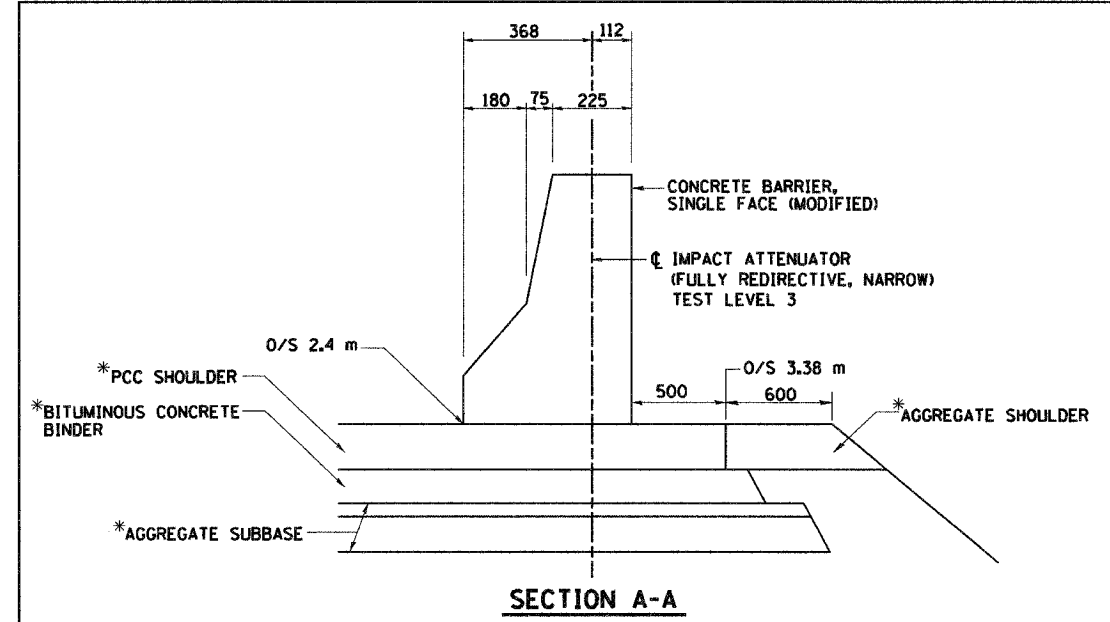


F.A.I. RTE.	SECTION	COUNTY	TOTAL SHEETS	SHEET NO.
74	60-DR-2903(44)-R-1	TAZEWELL	1366	385
STA.		TO STA.		
FED. ROAD DIST. NO. 4		ILLINOIS FED. AID PROJECT		



\* SEE TYPICAL SECTIONS FOR PAVEMENT STRUCTURE TYPES

REVISIONS	
NAME	DATE

ILLINOIS DEPARTMENT OF TRANSPORTATION  
**IMPACT ATTENUATOR DETAILS**  
 DRAWN BY SRS  
 CHECKED BY RLS  
 DATE 12/20/04



\\pds021\roadway\1103-saw.dgn 12/20/2004 7:24:10 AM