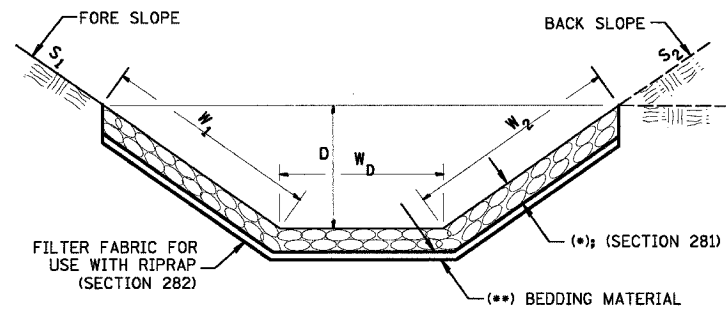


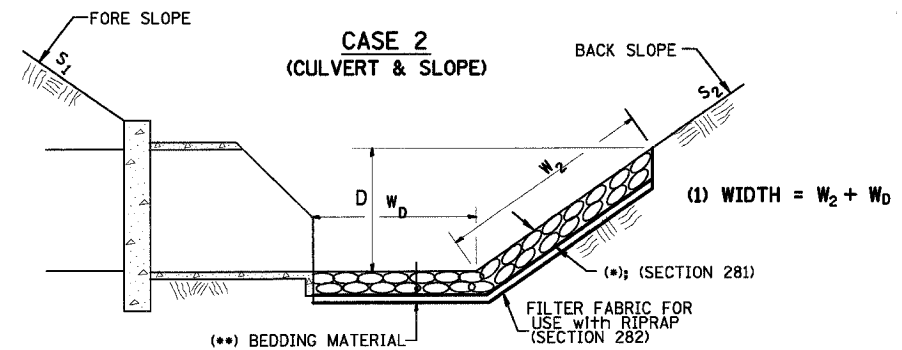
F.A.I. RTE.	SECTION	COUNTY	TOTAL SHEETS	SHEET NO.
74	(90-11R-2) 90(13,14,14-1)R-1	TAZEWELL	1366	387
STA. 152+445.837 TO STA. 153+892.180		FED. ROAD DIST. NO. 4 ILLINOIS FED. AID PROJECT		

**CASE 1  
(DITCH)**



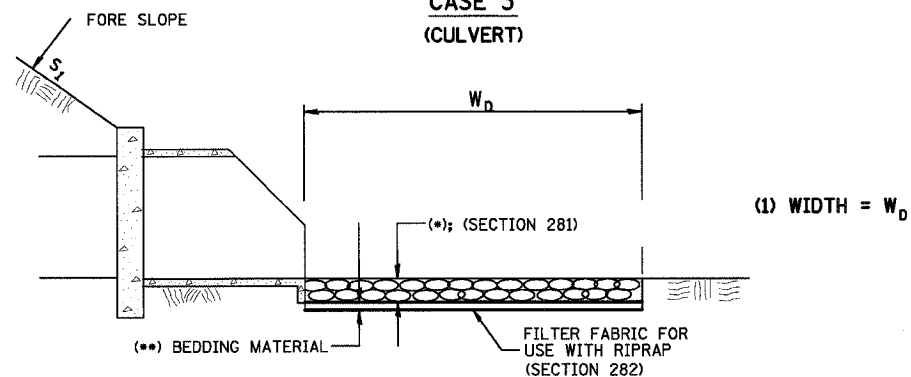
CASE 1					
LOCATION	STATION OFFSET	LENGTH (METER)	W <sub>0</sub> (METER)	FILTER FABRIC AREA	STONE DUMPED RIPRAP, CLASS A4
N. MAIN S	2+580, 22 RT	19.9	4.2	84	84
N. MAIN S	+589.9, 24.4	7.9	4.2	33	33
TOTALS				117	117

**CASE 2  
(CULVERT & SLOPE)**



CASE 2									
LOCATION	PIPE NUMBER	STRUCTURE NUMBER	STATION OFFSET	D (mm)	W <sub>2</sub> (METER)	W <sub>0</sub> (METER)	WIDTH (1)	FILTER FABRIC AREA	STONE DUMPED RIPRAP, CLASS A4
I-74	337	129	153+081, 32.15 LT	300	0.3	1.2	1.5	1	1
RAMP J-3	338	131	10+315, 9.00 LT	300	0.3	1.2	1.5	1	1
I-74	321	106	153+449, 22.76 LT	300	0.3	1.2	1.5	1	1
RAMP J-4	328	113	10+256, 25.0 RT	300	0.3	1.2	1.5	1	1
RAMP J-4	330	116	10+187, 22.0 RT	300	0.3	1.2	1.5	1	1
RAMP J-4	332	119	10+119, 16.5 RT	300	0.3	1.2	1.5	1	1
RAMP J-4	305	83	10+060, 13.8 RT	600	0.6	1.2	1.8	1	1
RAMP K-2	340	134	10+176, 10.50 LT	600	0.6	1.2	1.8	1	1
RAMP K-2	341	136	10+100, 12.90 LT	300	0.3	1.2	1.5	1	1
I-74	342	138	153+754, 33.43 LT	300	0.3	1.2	1.5	1	1
TOTALS								13	13

**CASE 3  
(CULVERT)**



CASE 3							
LOCATION	PIPE NUMBER	STRUCTURE NUMBER	STATION OFFSET	D (mm)	W <sub>0</sub> (METER)	FILTER FABRIC AREA	STONE DUMPED RIPRAP, CLASS A4
RAMP J-3	310	91	+273, 36.72 LT	600	1.2	1	1
RAMP J-3	311	92	+199, 28.01 LT	600	1.2	1	1
I-74	324	108	2+515, 47.9 LT	300	1.2	1	1
I-74	323	110	2+590, 48.7 LT	300	1.2	1	1
RAMP J-3	309	90	290, 44.62 LT	600	1.2	1	1
I-74	339	133	+455, 19.12 LT	300	1.2	1	1
I-74	EXISTING	EXISTING	+543, 0.76 RT	914	1.2	1	1
TOTALS						7	7

**RIP RAP NEEDED BENEATH RAMP K-2**

LOCATION	STATION	LENGTH (METER)	WIDTH (METER)	FILTER FABRIC AREA	STONE DUMPED RIPRAP, CLASS A4 (SQ M)
UNDER RAMP K-2	10+435 TO 10+490	53.8	7.6	414	414
TOTALS				414	414

REVISIONS	
NAME	DATE

ILLINOIS DEPARTMENT OF TRANSPORTATION  
F.A.I. ROUTE 74 (I-74)  
**EROSION CONTROL PLAN**  
DETAILS / SCHEDULE OF QUANTITIES

**URS**  
URS CORPORATION  
CHICAGO, ILLINOIS

DATE 12-20-2004  
DRAWN BY RTG  
CHECKED BY RTG