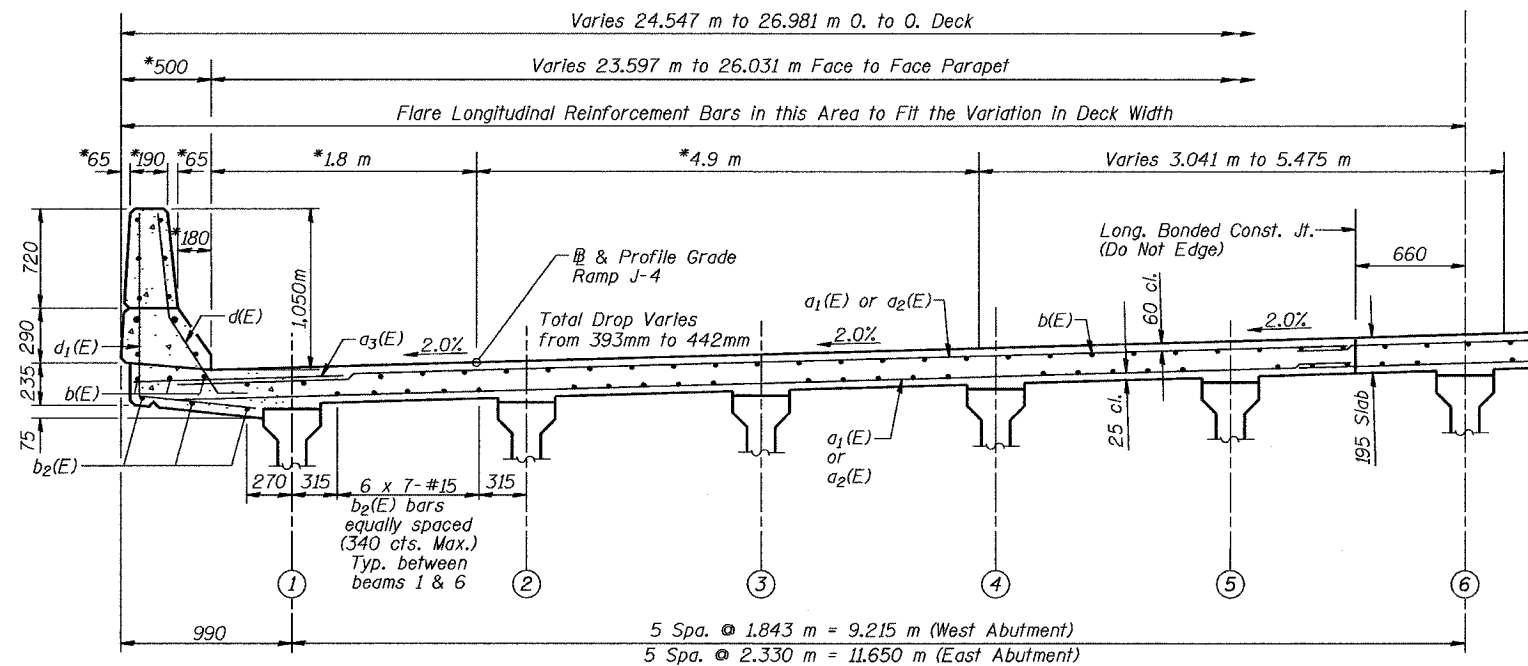
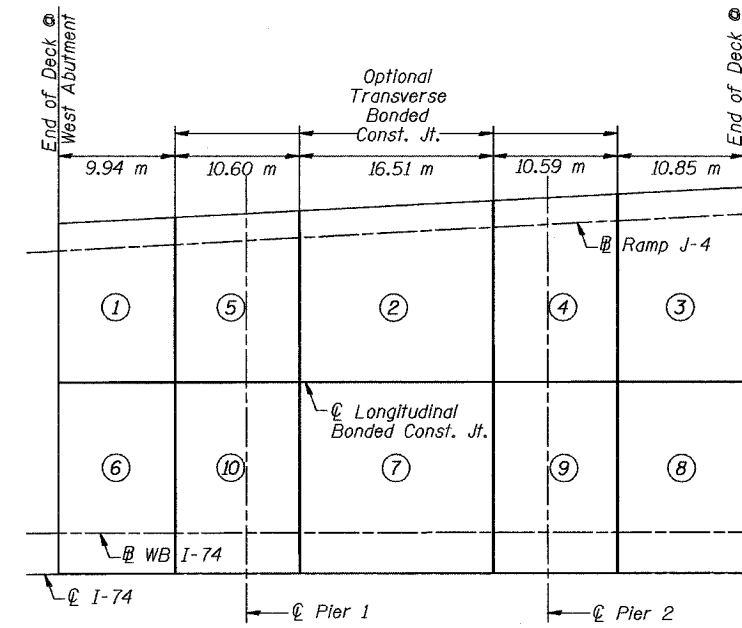


STATE OF ILLINOIS
DEPARTMENT OF TRANSPORTATION

ROUTE NO.	SECTION	COUNTY	TOTAL SHEETS	SHEET NO.
F.A.I. 74	90-11VB1BY	TAZEWELL	1366	398
FED. ROAD DIST. NO. 7	ILLINOIS	FED. AID PROJECT		

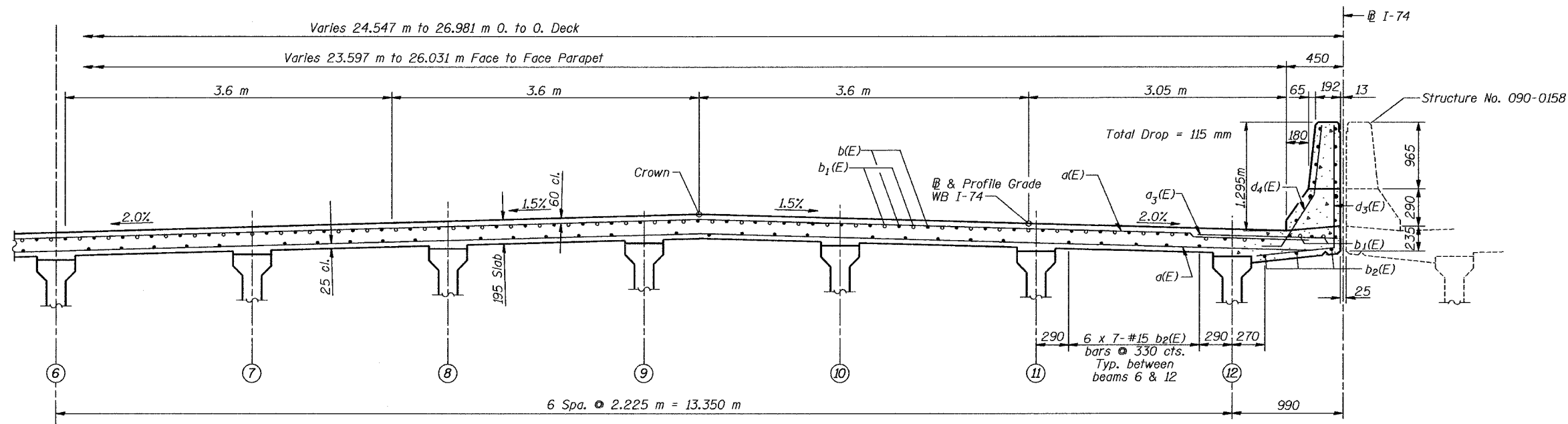


NEAR MIDSPAN



DECK SLAB POURING SEQUENCE

The concrete deck slab segments shall be poured in the numerical order shown.



NEAR PIER

Notes: All horizontal dimensions measured perpendicular to @ I-74 WB, unless otherwise noted.

* Measured perpendicular to @ Ramp J-4.

All dimensions are in millimeters (mm) except as noted.

CROSS SECTION
(Looking East)

Date		SUPERSTRUCTURE		Sheet No.
Designed	JLK	INTERSTATE 74 AND RAMPS J-4 OVER ALTORFER LANE AND TP&W R.R. F.A.I. RTE. 74 SECTION (90-11VB)BR TAZEWELL COUNTY STATION 152+685.353 STRUCTURE NO. 090-0159 (WB)		10 of 33
Drawn	KDK			
Checked	RME			
Approved	DLC			
Date: 7-21-04		URS Job No. 2.100001243.02		

