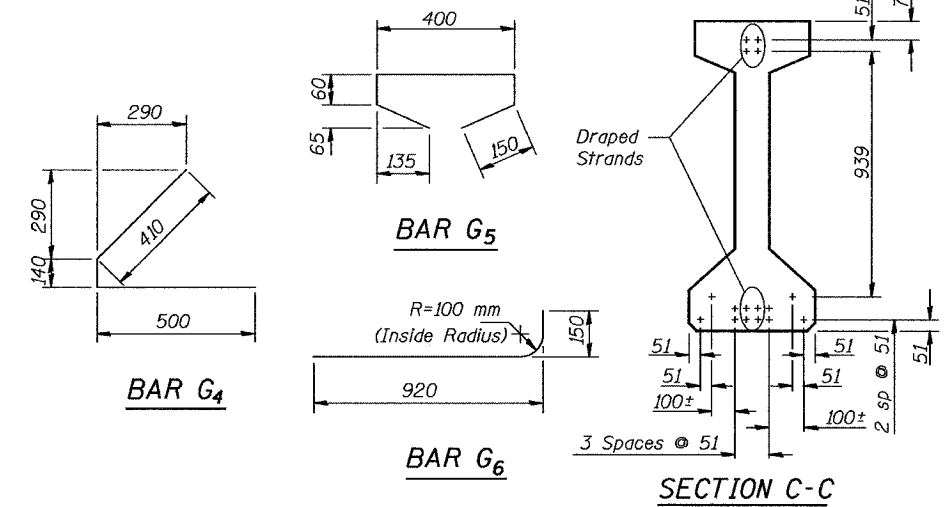
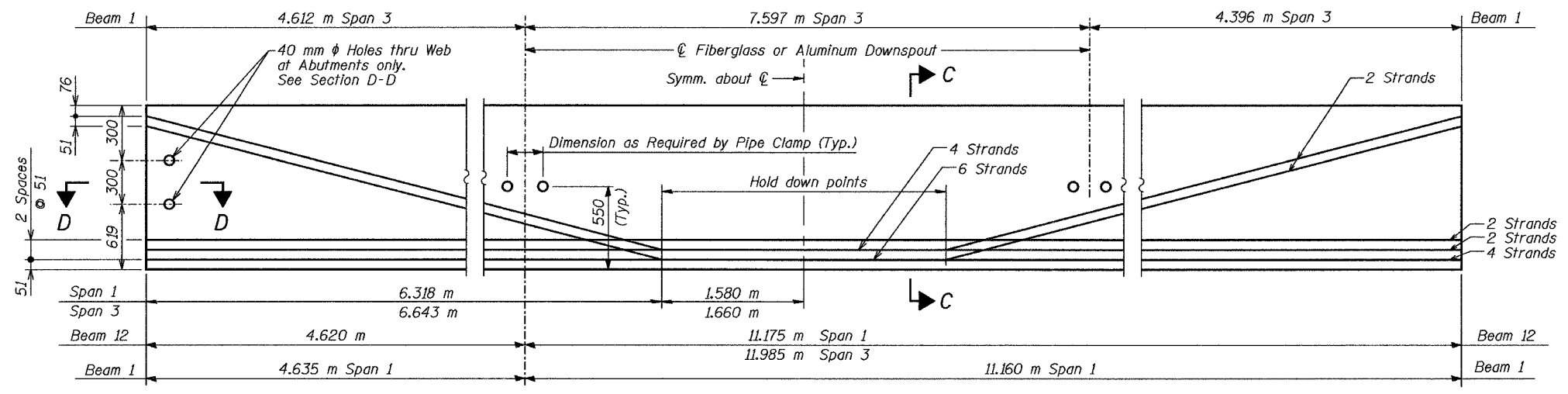
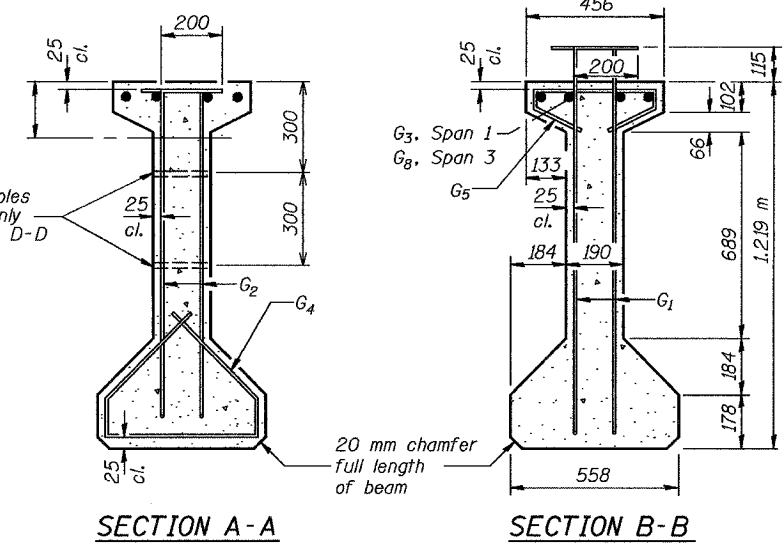
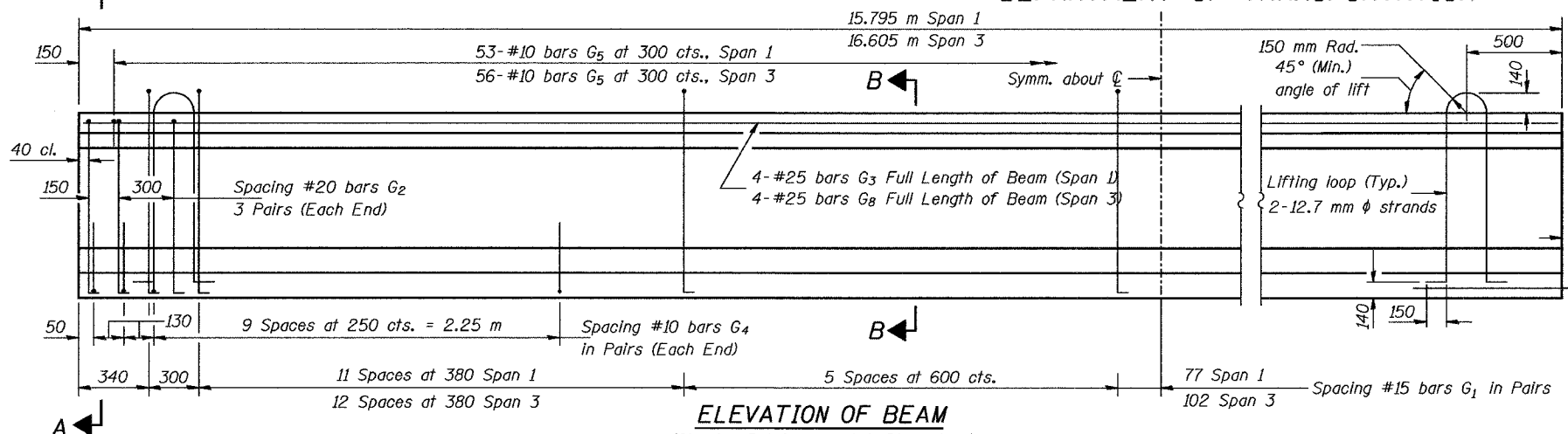


STATE OF ILLINOIS
DEPARTMENT OF TRANSPORTATION

ROUTE NO.	SECTION	COUNTY	TOTAL SHEETS	SHEET NO.
F.A.I. 74	90-11VB1B	TAZEWELL	1366	402
FED. ROAD DIST. NO. 7	ILLINOIS	FED. AID PROJECT-		

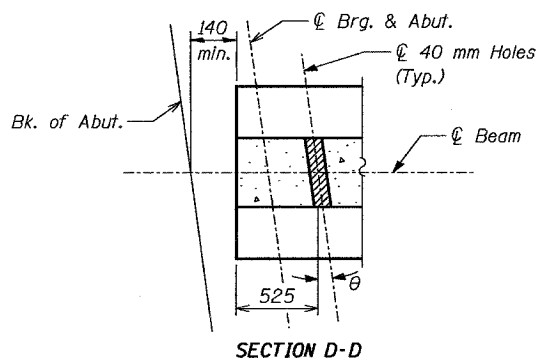


* BAR LIST SPAN 1

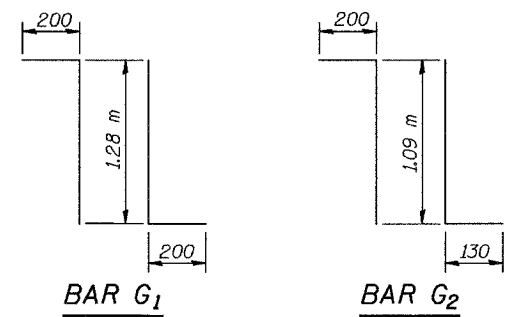
Bar	No.	Size	Length (m)	Shape
G1	72	#15	1.68	TL
G2	12	#20	1.42	TL
G3	4	#25	15.70	—
G4	48	#10	1.05	U
G5	53	#10	0.82	U
G6	2	#25	1.07	—

* BAR LIST SPAN 3

Bar	No.	Size	Length (m)	Shape
G1	76	#15	1.68	TL
G2	12	#20	1.42	TL
G4	48	#10	1.05	U
G5	56	#10	0.82	U
G6	2	#25	1.07	—
G8	4	#25	16.51	—



Beam	θ
1	2°24'55"
2	1°55'57"
3	1°26'59"
4	0°58'00"
5	0°29'00"
6-12	0°00'00"



NOTES

All inserts, reinforcing and Prestressing Steel, and other items which are cast into the Precast Concrete I-Beams shall be included in the contract unit price per meter of "Furnishing and Erecting Precast Prestressed Concrete I-Beams, 1219 mm."
 Inserts for 20 mm φ Stud Bolts are to be single coil, flared loop type for drainage scupper attachment to exterior I-Beams. See Sheets 9, 11 and 12 of 33 for scupper locations and attachment details.
 Prestressing steel shall be uncoated high strength, low relaxation 7-wire strand (Fu=1860 MPa).
 The nominal diameter shall be 12.7 mm and the nominal cross-section area shall be 98.71 mm².
 Non-prestressing steel shall conform to AASHTO designation M-31M or M-322M Grade 400.
 Lifting loops shall be 2-12.7 mm φ strands (Fu=1860 MPa), as shown.
 Required release strength, f'cl, shall be 35 MPa.
 Reinforcement bars designated (E) shall be epoxy coated.
 All dimensions are in millimeters (mm) except as noted.
 See Sheet No. 13 of 33 for Framing Plan.

BILL OF MATERIAL

Item	Unit	Total
Furnishing and Erecting Precast Prestressed Concrete I-Beams, 1219 mm	m	695.5

BEAM DETAILS - SPANS 1 AND 3

Date	Designed JML	INTERSTATE 74 AND RAMPS J-4 OVER ALTORFER LANE AND TP&W R.R. F.A.I. RTE. 74 SECTION (90-11VB)BR TAZEWELL COUNTY STATION 152+685.353 STRUCTURE NO. 090-0159 (WB)	Sheet No. 14 of 33
Revisions	Drawn KDK		
	Checked RME		
	Approved DLC		
Date: 7-21-04			URS Job No. 2100001243.02

