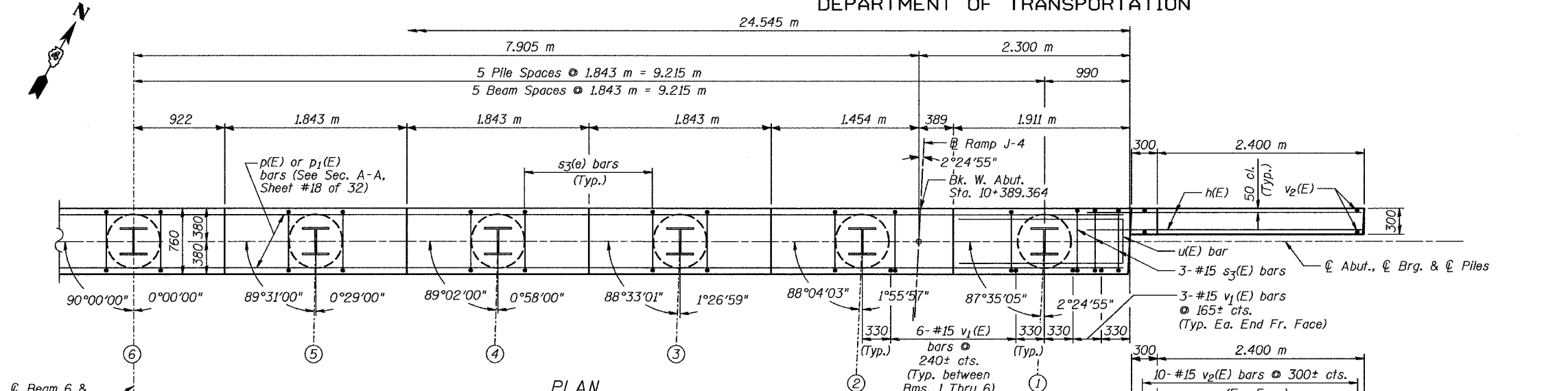
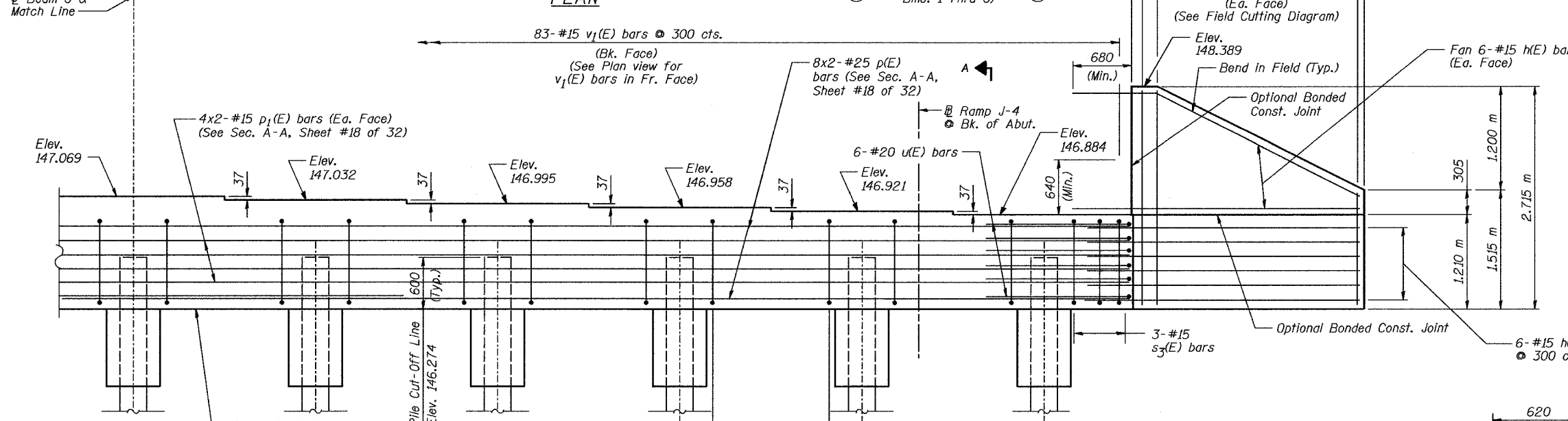


STATE OF ILLINOIS
DEPARTMENT OF TRANSPORTATION

ROUTE NO.	SECTION	COUNTY	TOTAL SHEETS	SHEET NO.
F.A.I. 74	090-11VB1B	TAZEWELL	1366	407
FED. ROAD DIST. NO. 7		ILLINOIS	FED. AID PROJECT-	

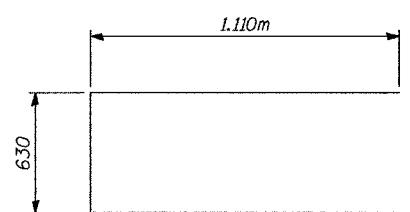


PLAN

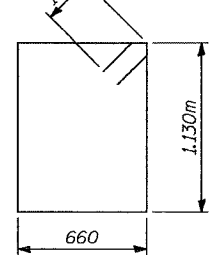


ELEVATION
(Looking West)

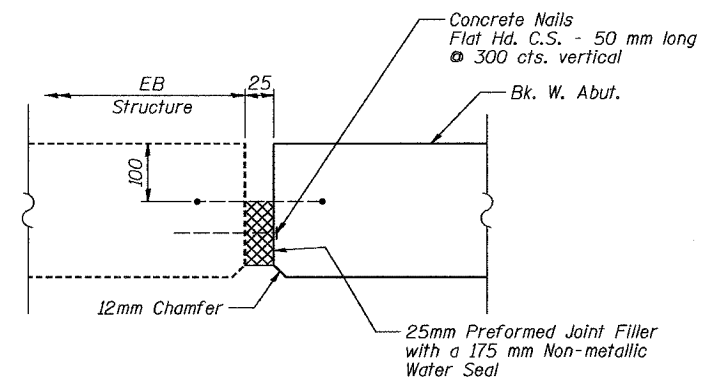
#15	640
#20	790
#25	1320



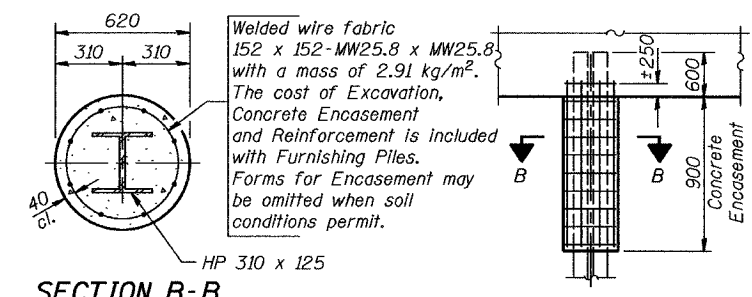
BAR u(E)



BAR s3(E)



25mm PREFORMED JOINT FILLER DETAIL
(at Back of Abutment)



SECTION B-B
PILE ENCASEMENT DETAIL

BILL OF MATERIAL
WEST ABUTMENT

Bar	No.	Size	Length	Shape
h(E)	24	#15	3.38	—
p(E)	16	#25	13.16	—
p1(E)	16	#15	12.55	—
s3(E)	56	#15	3.86	□
u(E)	12	#20	2.85	—
v1(E)	167	#15	2.18	—
v2(E)	10	#15	4.07	—
Structure Excavation			m ³	112
Concrete Structures			m ³	26.9
Reinforcement Bars, Epoxy Coated			kg	2330
Furn. Steel Piles HP 310 x 125			meter	280.5
Test Pile HP 310 x 125			Ea.	1
Driving Steel Piles			meter	280.2

Notes: Work this Sheet with #18 of 33. See Sheet #4 of 33 for existing pile locations. Pour steps monolithically with cap. Bars indicated thus 4 x 3 - #20 etc. indicates 4 lines of bars with 3 lengths per line. Reinforcement bars designated (E) shall be Epoxy Coated. All dimensions are in millimeters (mm) except as noted. All stations and elevations are in meters (m). All edges shall have standard 20mm chamfers, except as noted. See Sheet #18 of 33 for Section A-A.

WEST ABUTMENT		Sheet No.
Date	Designed JLK	19
Revisions	Drawn KDK	
	Checked RME	
	Approved DLC	
INTERSTATE 74 AND RAMPS J-4 OVER ALTORFER LANE AND TP&W R.R. F.A.I. RTE. 74 SECTION (90-11VB)BR TAZEWELL COUNTY STATION 152+685.353 STRUCTURE NO. 090-0159 (WB)		of 33
URS CORPORATION ST. LOUIS, MO		URS Job No. 2100001243.02