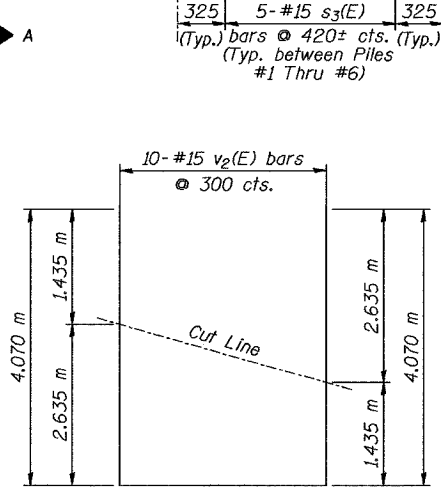
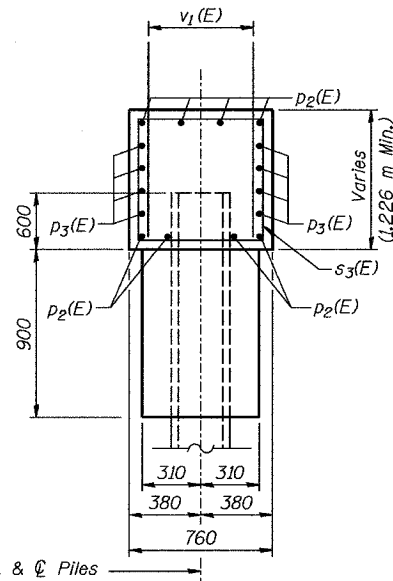
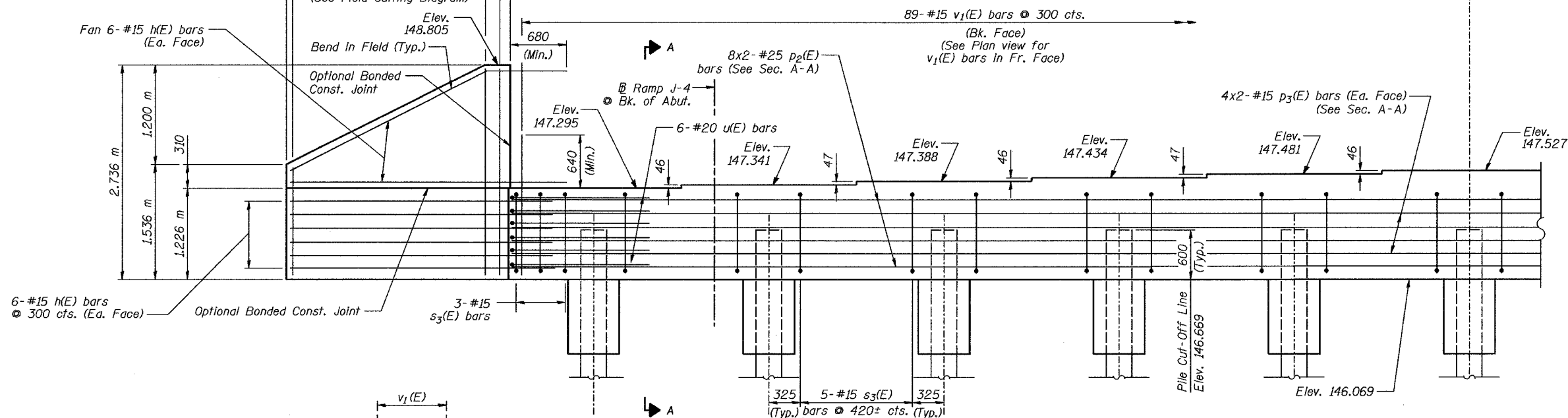
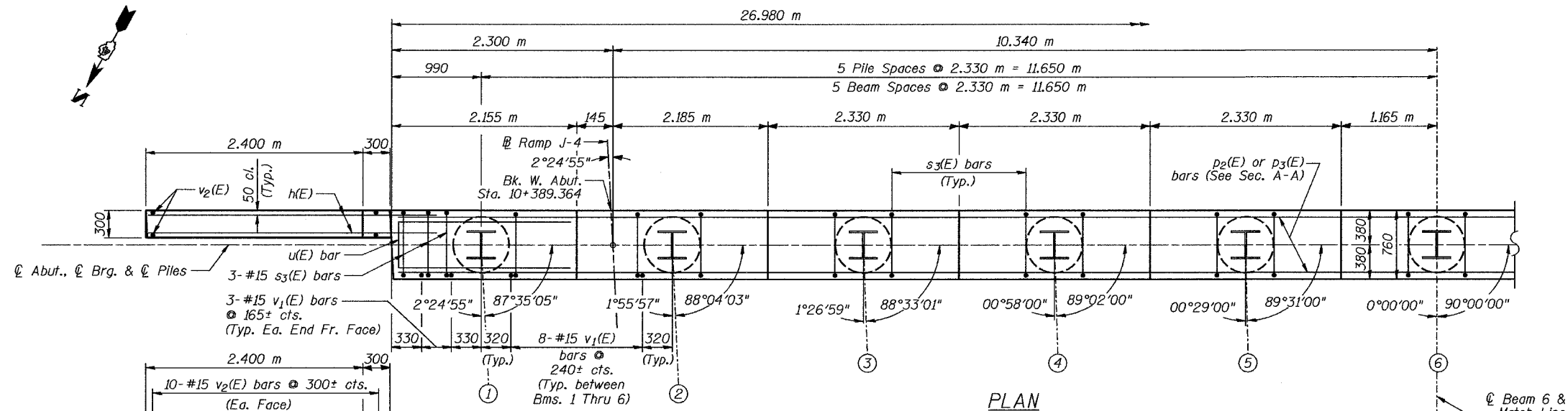


STATE OF ILLINOIS
DEPARTMENT OF TRANSPORTATION

ROUTE NO.	SECTION	COUNTY	TOTAL SHEETS	SHEET NO.
F.A.I. 74	90-11VB	TAZEWELL	1366	408
FED. ROAD DIST. NO. 7	ILLINOIS	FED. AID PROJECT		



FIELD CUTTING DIAGRAM

Order bars full length. Cut to fit as shown and use remainder of bars in other face.

ELEVATION
(Looking West)

Note:
See Sheet #21 of 33 for notes,
Bill of Material, and Pile Data.

EAST ABUTMENT			Sheet No.
Date	Designed JLK	INTERSTATE 74 AND RAMPS J-4 OVER ALTORFER LANE AND TP&W R.R. F.A.I. RTE. 74 SECTION (90-11VB)BR TAZEWELL COUNTY STATION 152+685.353 STRUCTURE NO. 090-0159 (WB)	20
Revisions	Drawn KDK		
	Checked RME		
	Approved DLC		
Date: 7-21-04			of 33
URS CORPORATION ST. LOUIS, MO			URS Job No. 2100001243.02