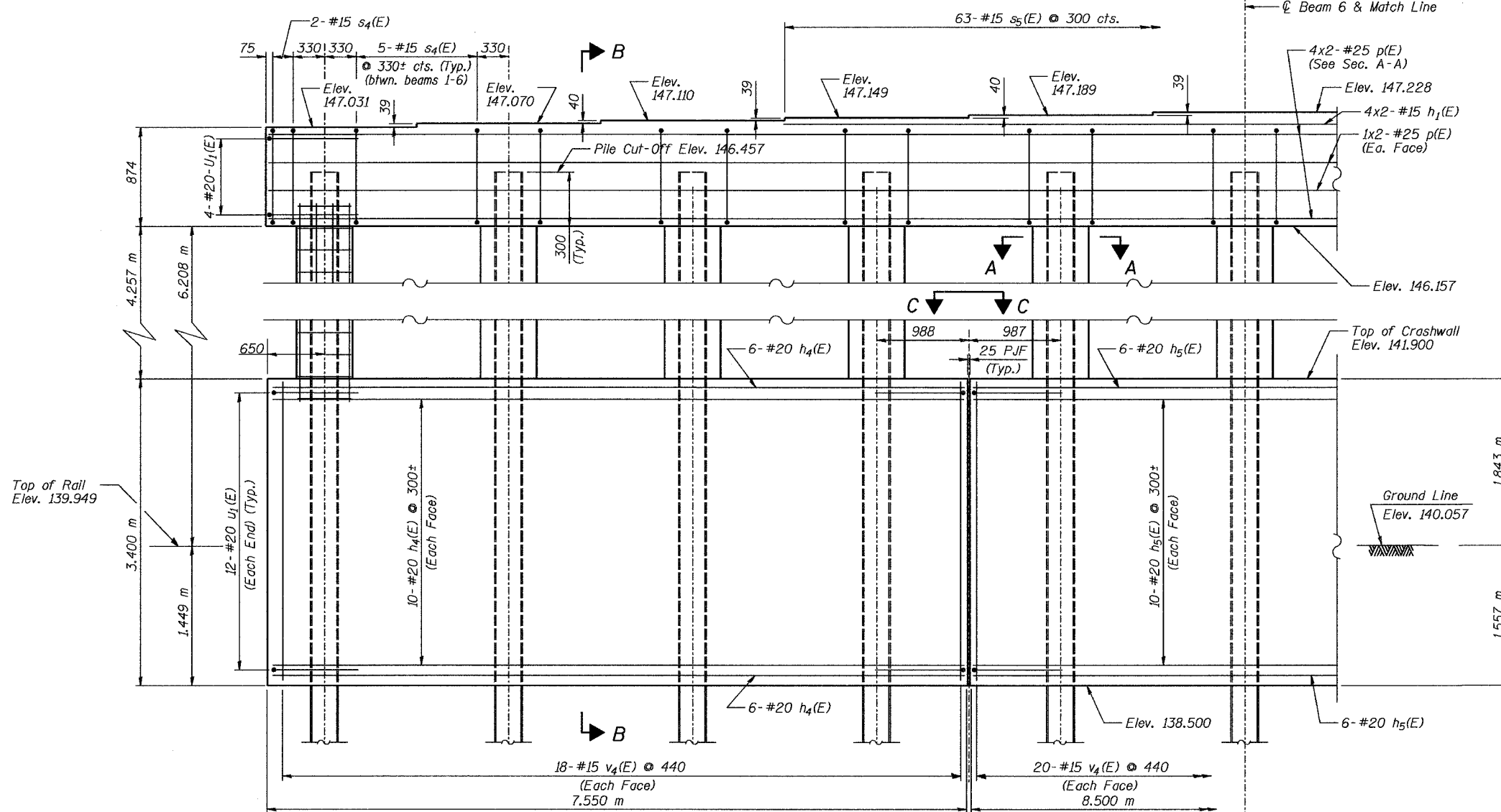
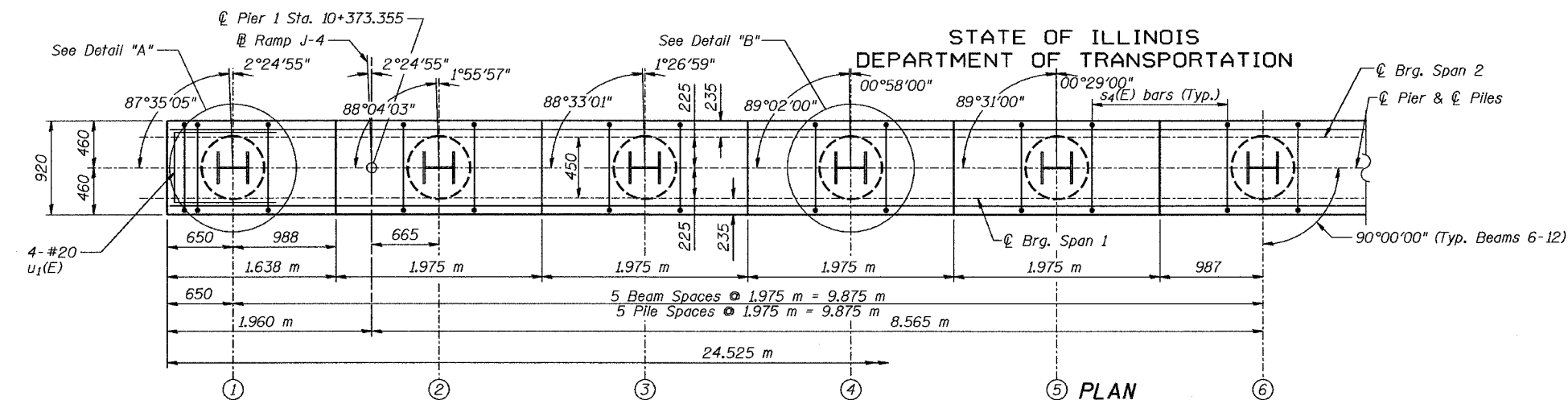


ROUTE NO.	SECTION	COUNTY	TOTAL SHEETS	SHEET NO.
F.A.I. 74	(90-11VB)	TAZEWELL	1366	4-10
FED. ROAD DIST. NO. 7	ILLINOIS	FED. AID PROJECT-		

STATE OF ILLINOIS
DEPARTMENT OF TRANSPORTATION



PILE DATA

Type - HP360x174
 Capacity - Driven to Refusal
 Est. Length - 27.2m
 No. Req'd. - 11
 Test Piles - 1 (Permanent Location)
 Driven to Refusal
 Allow 650 KN/Pile For Negative Skin Friction

NOTE: See Sheet #23 of 33 for Section A-A and Section B-B.
 See Sheet #24 of 33 for Detail A, Detail B, View C-C, and Bill of Material.
 All edges shall have standard 20mm chamfers, except as noted.
 Bars indicated thus 12x4-#15 etc. indicates 12 lines of Bars with 4 lengths per line.

MIN. BAR LAP
 #15 - 640
 #25 - 1850



PIER 1		Date: 7-21-04	Sheet No. 22 of 33
Date	Designed JML		
Revisions	Drawn KDK		
	Checked RME		
	Approved DLC		
		URS Job No. 2100001243.02	