

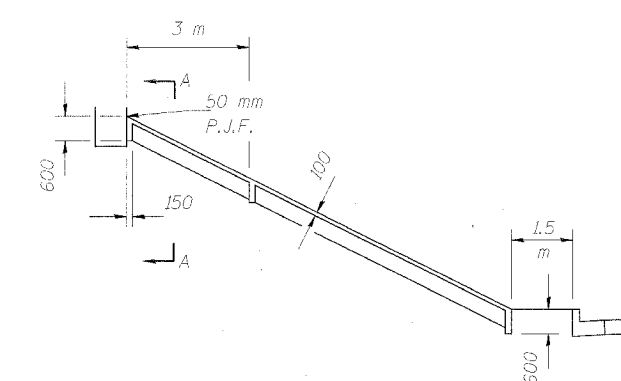
STATE OF ILLINOIS
DEPARTMENT OF TRANSPORTATION

ROUTE NO.	SECTION	COUNTY	TOTAL SHEETS	SHEET NO.	SHEET NO. 2 25 SHEETS
S.B.L. F.A. 1-74	*	TAZEWELL	1366	424	
FED. ROAD DIST. NO. 7 ILLINOIS FED. AID PROJECT-					

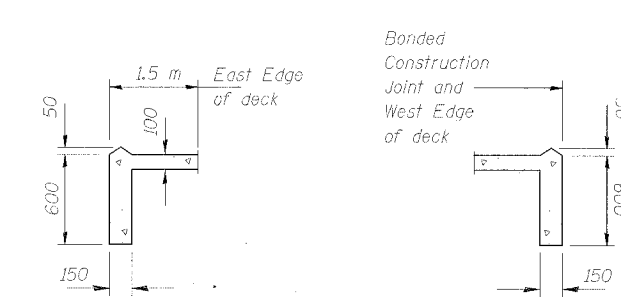
*(90-11HB)BR

GENERAL NOTES:

1. Reinforcement bars shall conform to the requirements of AASHTO M 31M or M 322M Grade 400.
2. Slope wall shall be reinforced with welded wire fabric, 152 x 152 - MW25.8 x MW25.8 with a mass of 2.91 kg/m².
3. All dimensions are in millimeters (mm) except as noted.
4. The existing structure steel coating contains lead. The Contractor should take appropriate precautions to deal with the presence of lead on this project.
5. All construction joints shall be bonded.
6. Contractor shall contact IDOT regarding test pile results for Contract #9 (S.N. 090-0161) prior to ordering piles.



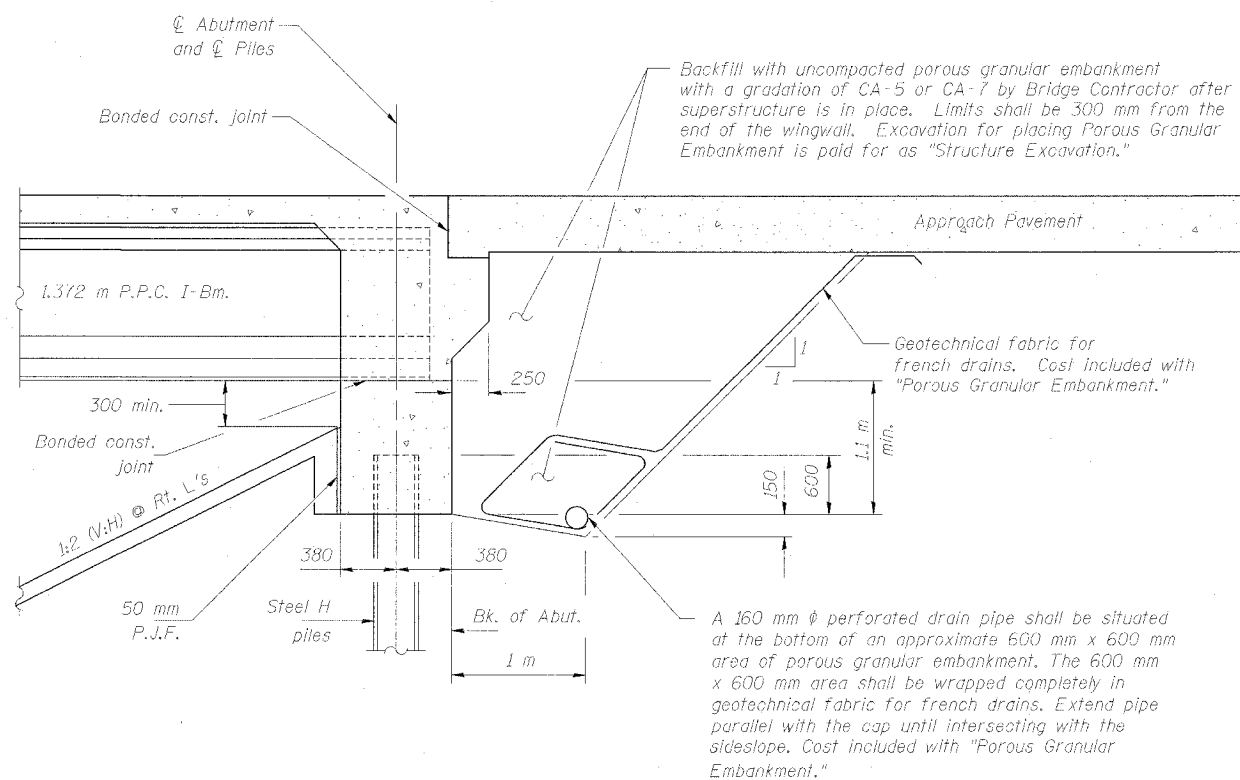
SECTION THRU SLOPEWALL



SECTION A-A

INDEX OF SHEETS

SHEET NO.	DESCRIPTION
1	General Plan & Elevation
2	General Notes & Details
3	Stage Construction Sequence
4	Substructure Layout
5-7	Top of Slab Elevations
8	Superstructure
9	Superstructure Details
10	Drainage Scupper, Type 1 Details
11	Aluminum Railing, Type H (Special) Details
12-13	Diaphragm Details
14	Framing Plan
15	Beam Details
16	Bar Splicer Assembly Details
17	North Abutment
18	South Abutment
19	Pier 1
20	Anchor Bolt Details
21	Precast Concrete Bollard Details
22	Bollard Luminaire Details
23-25	Soil Borings



SECTION THRU INTEGRAL ABUTMENT

DESIGNED	KEF
CHECKED	KEF
DRAWN	DEM
CHECKED	KEF

GENERAL NOTES AND DETAILS
WB INTERSTATE 74 OVER
MAIN STREET (IL. RTE. 116)
F.A.I. ROUTE 74 - SEC. (90-11HB)BR
TAZEWELL COUNTY
STATION 153+050.716
STRUCTURE NO. 090-0160

