

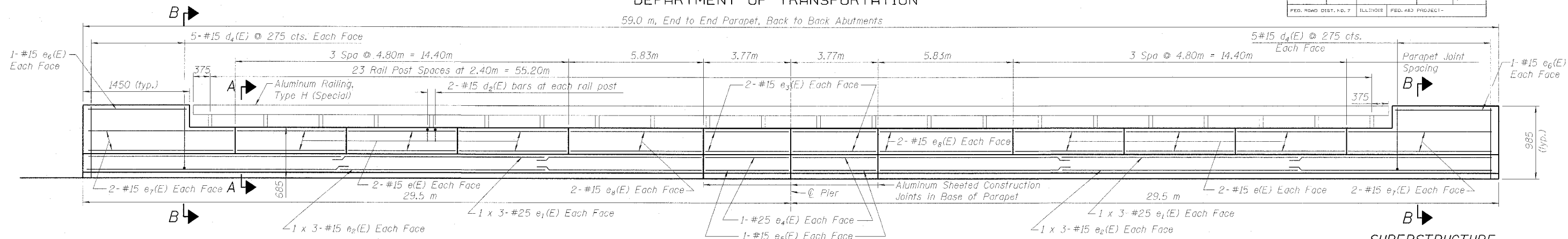
STATE OF ILLINOIS  
DEPARTMENT OF TRANSPORTATION

59.0 m, End to End Parapet, Back to Back Abutments

\* (90-11HB)BR

ROUTE NO.	SECTION	COUNTY	TOTAL SHEETS	SHEET NO.
S.B.L.	#	TAZEWELL	1366	431
F.A. 1-74				
FED. ROAD DIST. NO. 7	ILLINOIS	FED. AID PROJECT		

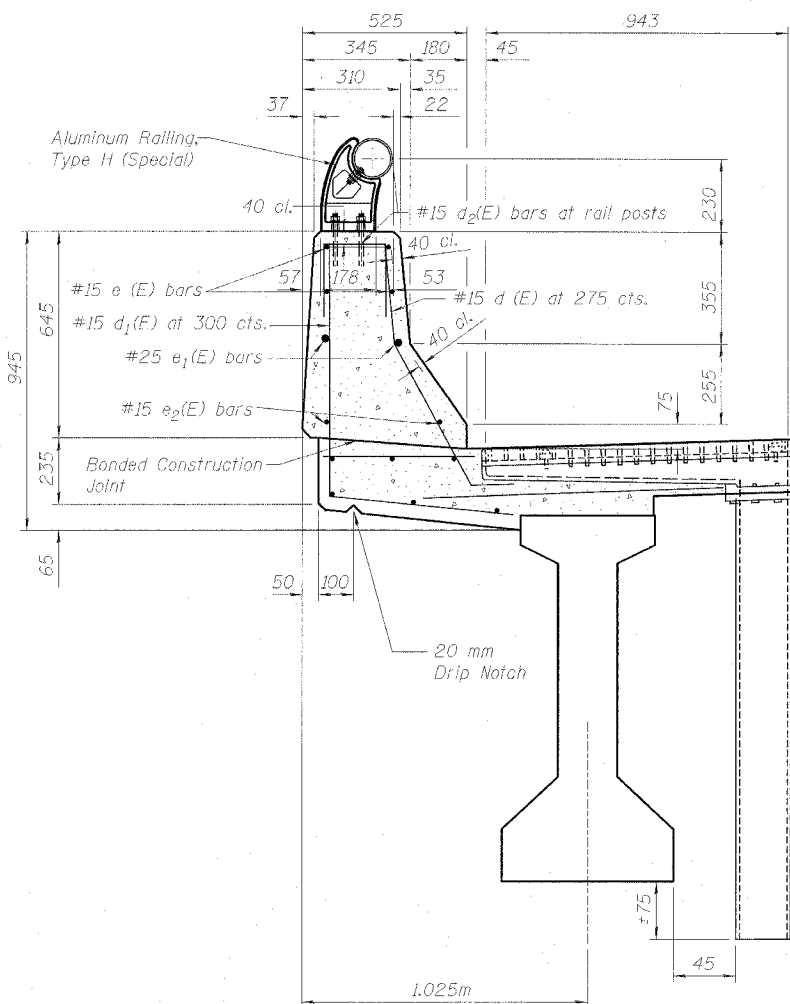
SHEET NO. 9  
25 SHEETS



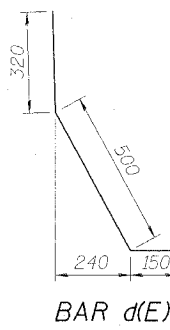
INSIDE ELEVATION OF PARAPET

SUPERSTRUCTURE  
BILL OF MATERIAL

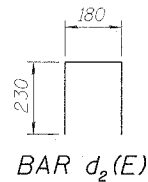
Bar	No.	Size	Length (m)	Shape
d(E)	501	#15	12.27	—
d <sub>1</sub> (E)	137	#20	1.20	—
d <sub>2</sub> (E)	32	#15	0.60	—
d <sub>3</sub> (E)	4	#15	12.36	—
b(E)	258	#15	10.22	—
b <sub>1</sub> (E)	126	#25	8.67	—
b <sub>2</sub> (E)	224	#15	8.83	—
a(E)	216	#15	0.97	—
d <sub>1</sub> (E)	197	#15	1.62	—
d <sub>2</sub> (E)	48	#15	0.64	—
d <sub>4</sub> (E)	20	#15	1.05	—
e(E)	24	#15	4.65	—
e <sub>1</sub> (E)	12	#25	9.21	—
e <sub>2</sub> (E)	12	#15	8.87	—
e <sub>3</sub> (E)	8	#15	3.62	—
e <sub>4</sub> (E)	4	#25	3.62	—
e <sub>5</sub> (E)	4	#15	3.62	—
e <sub>6</sub> (E)	4	#15	1.30	—
e <sub>7</sub> (E)	8	#15	5.30	—
e <sub>8</sub> (E)	8	#15	5.68	—
m(E)	10	#20	12.30	—
m <sub>1</sub> (E)	20	#20	1.40	—
m <sub>2</sub> (E)	24	#20	3.13	—
m <sub>3</sub> (E)	2	#20	1.29	—
m <sub>4</sub> (E)	2	#20	0.67	—
m <sub>5</sub> (E)	20	#15	1.76	—
m <sub>6</sub> (E)	6	#25	1.76	—
s(E)	74	#15	1.59	—
s <sub>1</sub> (E)	64	#15	3.80	—
s <sub>2</sub> (E)	25	#15	3.70	—
v(E)	80	#15	0.92	—
Reinforcement Bars Epoxy Coated		kg	25,110	
Concrete Superstructure		cu m	198.3	
Bar Splicers		Each	80	



SECTION A-A THRU PARAPET

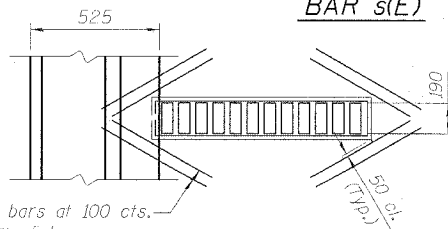


BAR v(E)

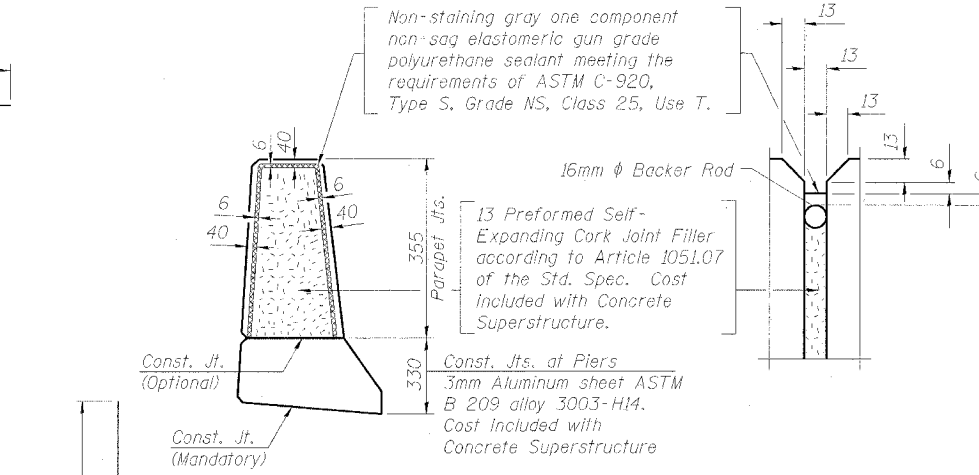


BAR d<sub>1</sub>(E)

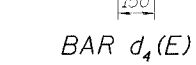
BAR s(E)



PLAN OF ADDITIONAL REINFORCEMENT IN DECK AT DRAINAGE SCUPPER LOCATIONS



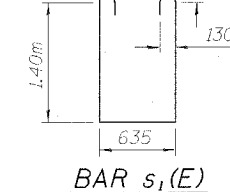
PARAPET JOINT DETAILS



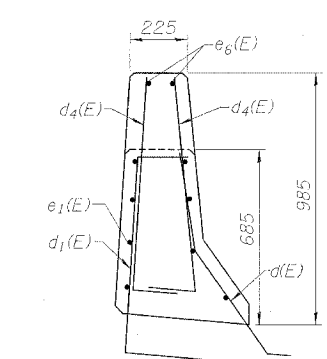
BAR s<sub>2</sub>(E)

MIN. BAR LAP

#15 = 490  
#25 = 1.01 m



BAR s<sub>1</sub>(E)



SECTION B-B

DESIGNED	KEF
CHECKED	KEF
DRAWN	CAD
CHECKED	KEF

Reinforcement bars designated (E) shall be epoxy coated.  
Bars indicated thus 20 x 3-#15 etc. indicates 20 lines of bars with 3 lengths per line.  
All dimensions are in millimeters (mm) except as noted.



SUPERSTRUCTURE DETAILS  
WB INTERSTATE 74 OVER  
MAIN STREET (IL. RTE. 116)  
F.A.I. ROUTE 74 - SEC. (90-11HB)BR  
TAZEWELL COUNTY  
STATION 153+050.716  
STRUCTURE NO. 090-0160