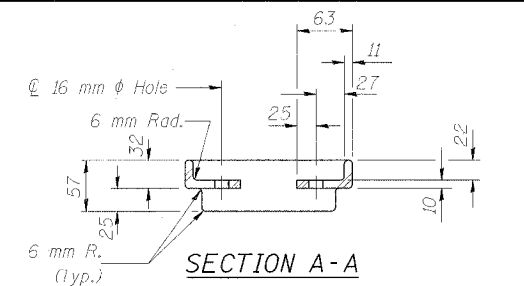


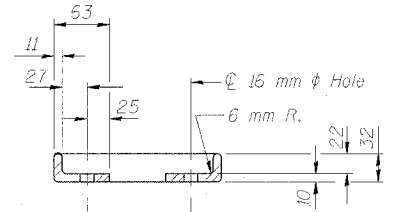
STATE OF ILLINOIS  
DEPARTMENT OF TRANSPORTATION

|                       |          |          |                    |           |                           |
|-----------------------|----------|----------|--------------------|-----------|---------------------------|
| ROUTE NO.             | SECTION  | COUNTY   | TOTAL SHEETS       | SHEET NO. | SHEET NO. 10<br>25 SHEETS |
| S. B. I.              | F. A. I. |          | 1366               | 432       |                           |
| FED. ROAD DIST. NO. 7 |          | ILLINOIS | FED. AID PROJECT - |           |                           |

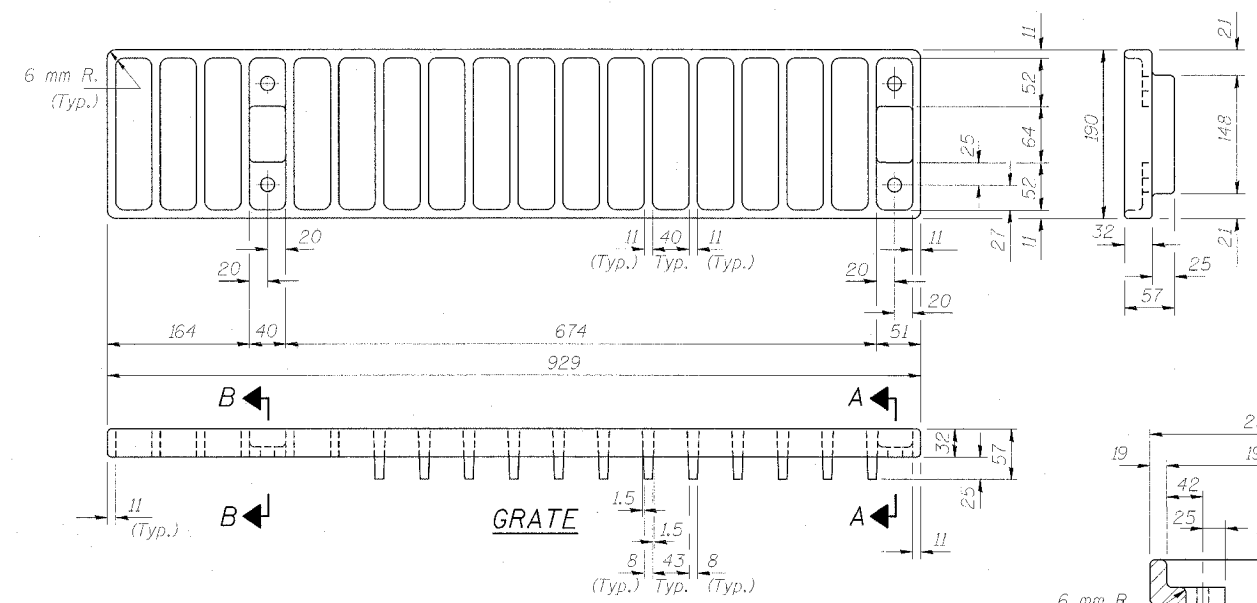
\*(90-11HB)BR



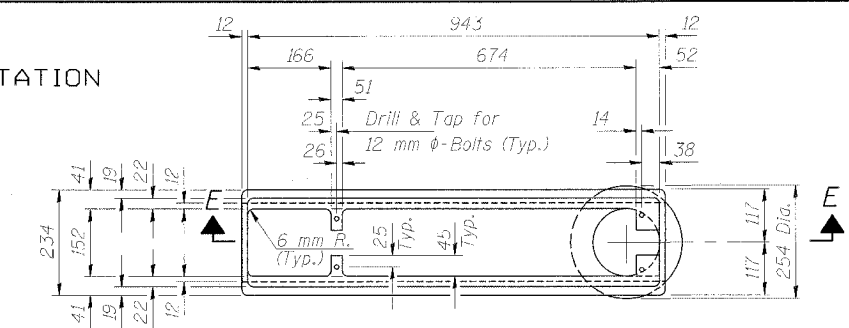
SECTION A-A



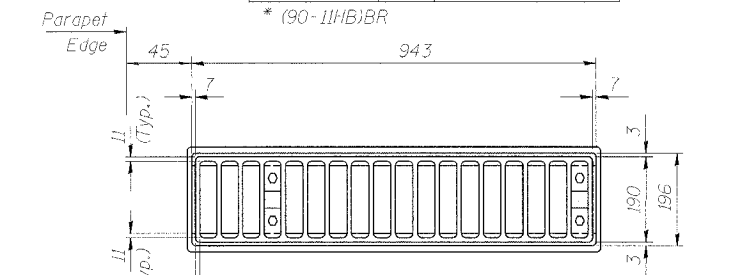
SECTION B-B



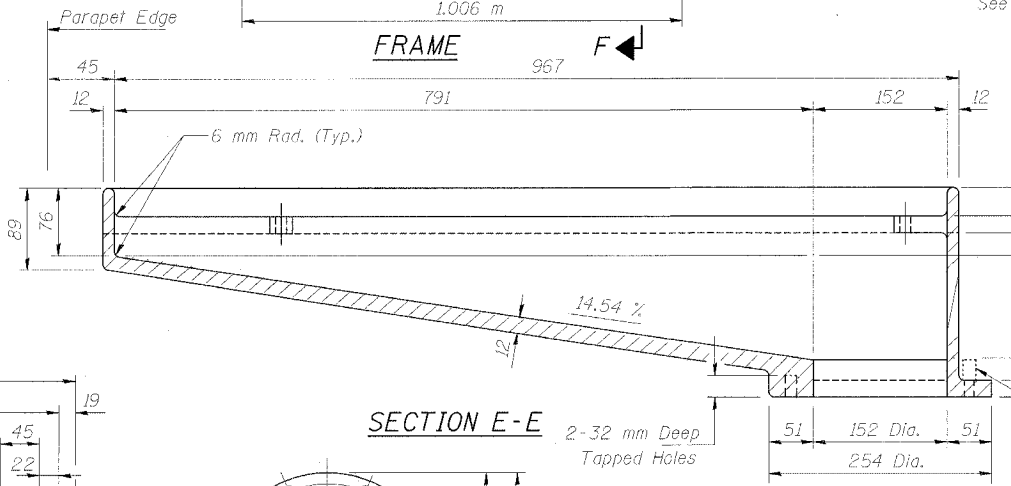
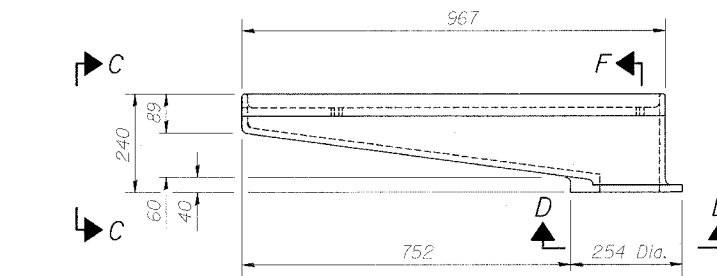
GRATE



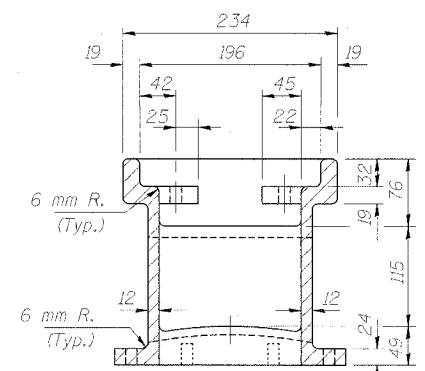
FRAME



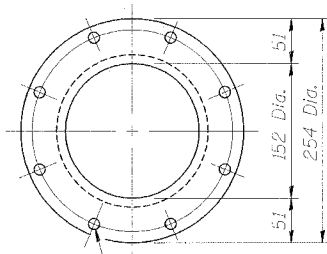
DRAINAGE SCUPPER



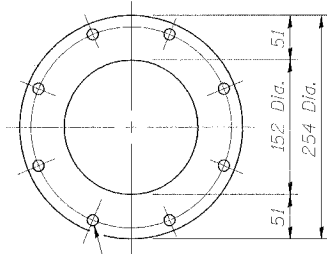
SECTION E-E



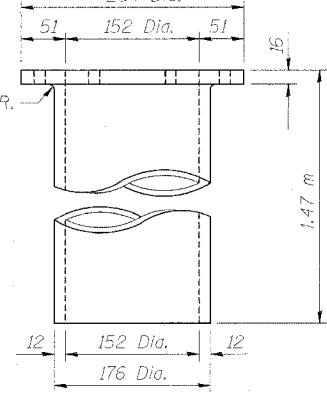
SECTION F-F



VIEW D-D



VIEW C-C



DOWNSPOUT

Notes: All cast iron parts shall be gray iron conforming to the requirements of AASHTO M 105, Class 30.  
Bolts and washers shall conform to the requirements of ASTM A 307.  
All bolts and washers shall be galvanized according to AASHTO M 232.  
As an alternate bolts and washers may be stainless steel.  
Cost of the Grate, Frame, Downspout, bolts and washers including complete installation of Scupper will be paid for at the unit bid price each for "DRAINAGE SCUPPER, TYPE I."  
The Contractor may use at his option steel drainage scuppers or cast iron drainage scuppers.  
All dimensions are in millimeters (mm) except as noted.

BILL OF MATERIAL

| ITEM                     | UNIT | QUANTITY |
|--------------------------|------|----------|
| Drainage Scupper, Type I | Each | 4        |

VIEW D-D

|          |     |
|----------|-----|
| DESIGNED | KEF |
| CHECKED  | KEF |
| DRAWN    | CAD |
| CHECKED  | KEF |

DRAINAGE SCUPPER, TYPE I DETAILS  
W.B. INTERSTATE 74 OVER  
MAIN STREET (IL. RTE. 116)  
F.A.I. ROUTE 74 - SEC. (90-11HB)BR  
TAZEWELL COUNTY  
STATION 153+050.716  
STRUCTURE NO. 090-0160

