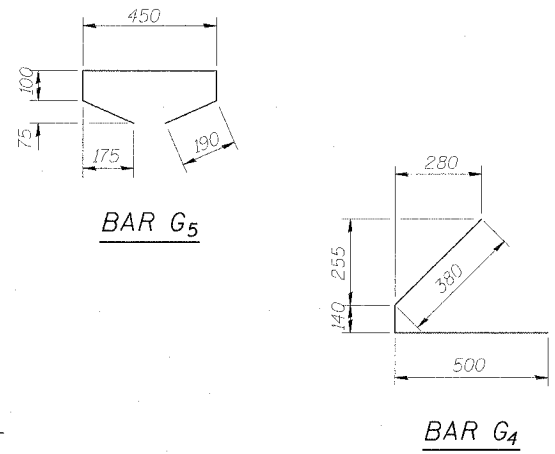
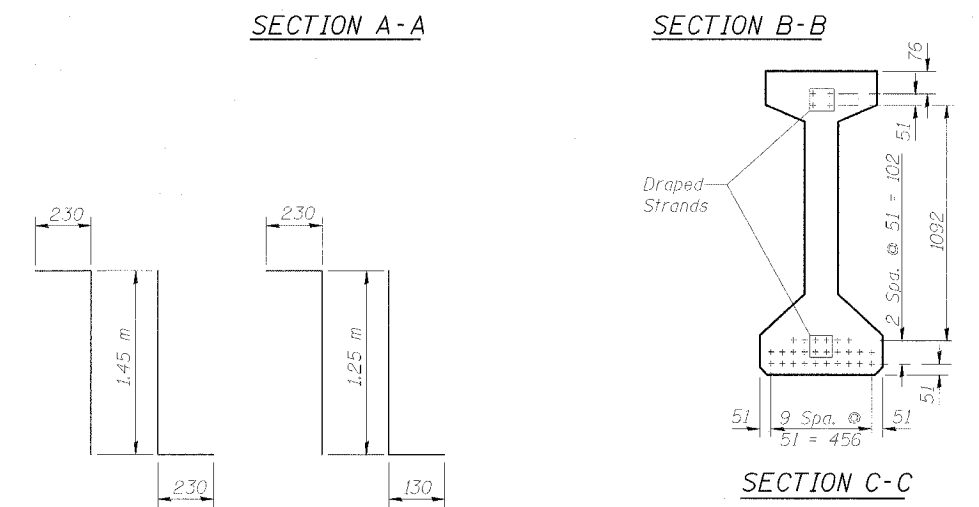
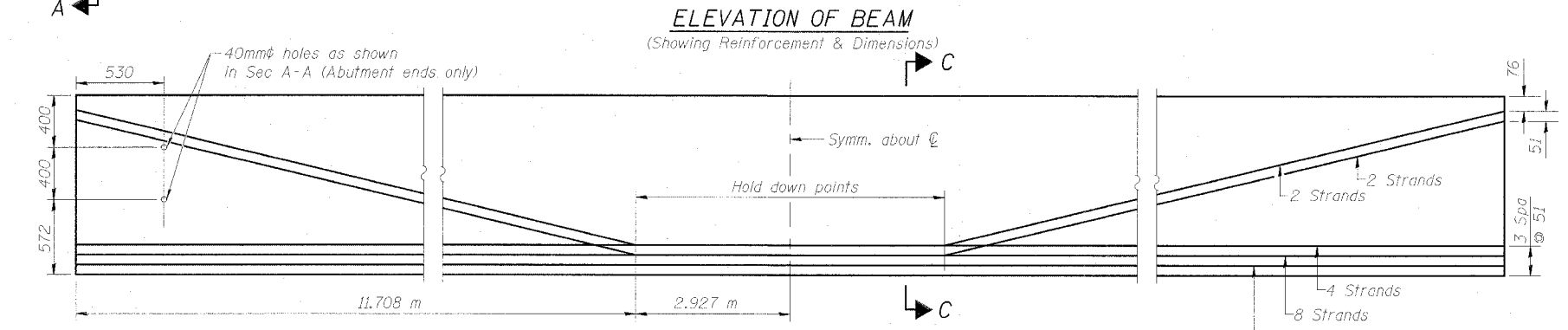
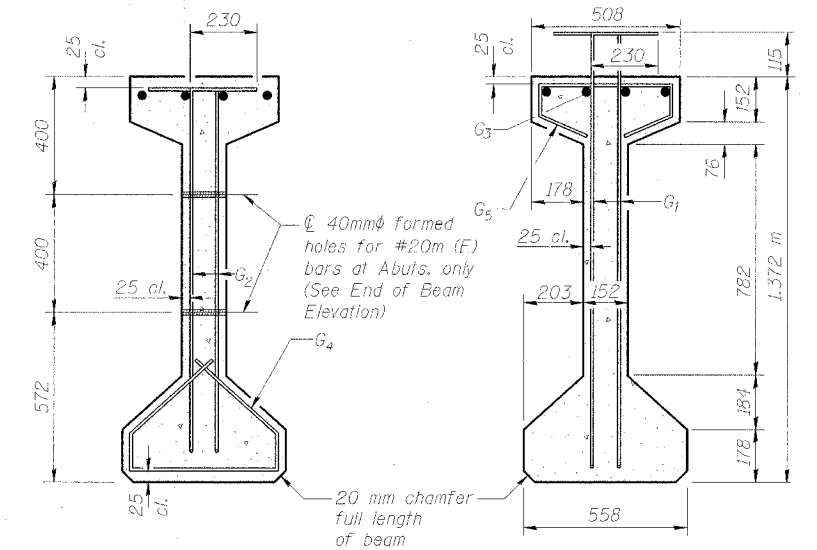
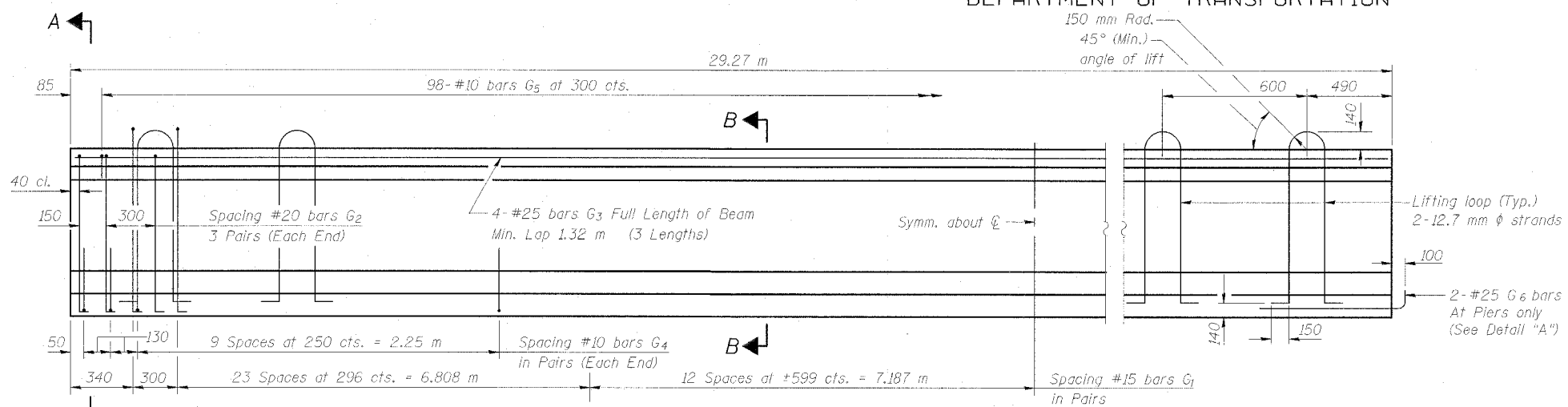


STATE OF ILLINOIS  
DEPARTMENT OF TRANSPORTATION

ROUTE NO.	SECTION	COUNTY	TOTAL SHEETS	SHEET NO.
S. B. I.	#	TAZEWELL	1366	437
F. A. I.	1-74			
FED. ROAD DIST. NO. 7	ILLINOIS	FED. AID PROJECT		

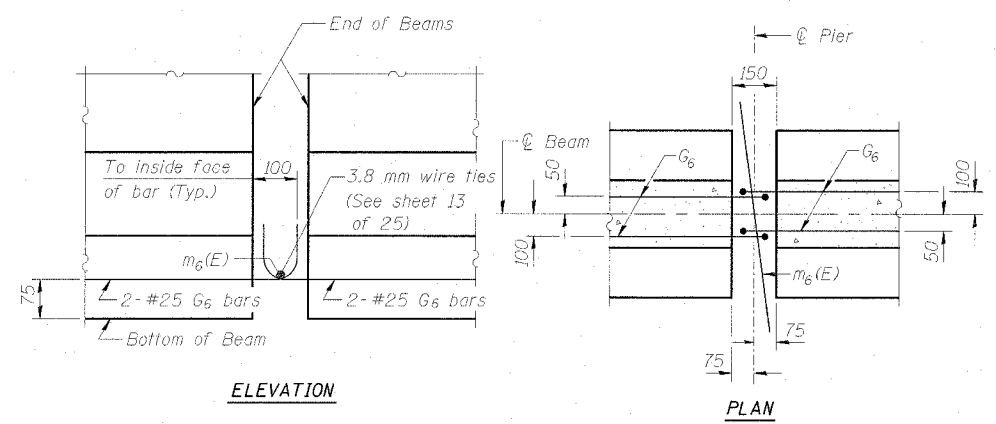
SHEET NO. 15  
25 SHEETS



**\* BAR LIST**

Bar	No.	Size	Length (m)	Shape
G1	74	#15	1.91	7L
G2	12	#20	1.61	7L
G3	12	#25	10.59	7L
G4	48	#10	1.02	7L
G5	98	#10	1.03	7L
G6	2	#25	1.07	7L

\* For one beam only.



**NOTES**

All inserts and threaded dowel rods for inserts, reinforcing and Prestressing Steel, and other items which are cast into the Precast Concrete I-Beams shall be included in the contract unit price per meter of "Furnishing and Erecting Precast Prestressed Concrete I-Beams, 1372 mm."

Inserts for 20 mm threaded dowel rods are to be two strut, coil type for interior I-Beams and single coil, flared loop type for exterior I-Beams.

Prestressing steel shall be uncoated high strength, low relaxation 7-wire strand (Fu=1860 MPa).

The nominal diameter shall be 12.7 mm and the nominal cross-sectional area shall be 98.71 mm<sup>2</sup>.

Non-prestressing steel shall conform to AASHTO designation M-31M or M-322M, Grade 400.

Lifting loops shall be 2-12.7 mm  $\phi$  strands (Fu=1860 MPa), as shown. Required release strength, f'ci, shall be 35 MPa.

Reinforcement bars designated (E) shall be epoxy coated.

All dimensions are in millimeters (mm) except as noted.

DESIGNED	KEF
CHECKED	KEF
DRAWN	DEM
CHECKED	KEF

**BILL OF MATERIAL**

Item	Unit	Total
Furnishing and Erecting Precast Prestressed Concrete I-Beams, 1372 mm	m	352



**BEAM DETAILS**  
WB INTERSTATE 74 OVER  
MAIN STREET (IL. RTE. 116)  
F.A.I. ROUTE 74 - SEC. (90-11HB)BR  
TAZEWELL COUNTY  
STATION 153+050.716  
STRUCTURE NO. 090-0160