

STATE OF ILLINOIS
DEPARTMENT OF TRANSPORTATION

BEAM SEAT ELEVATIONS

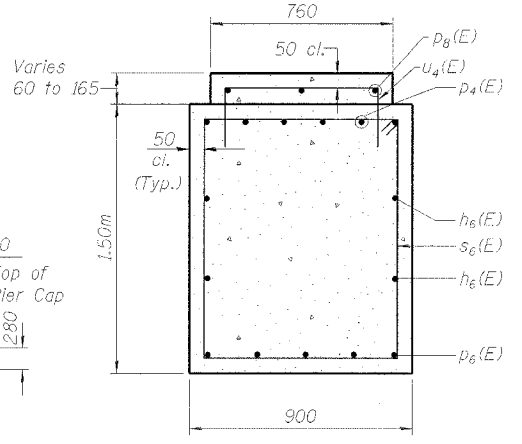
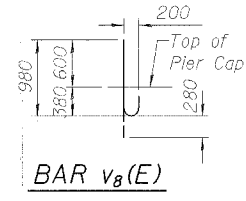
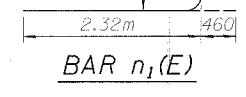
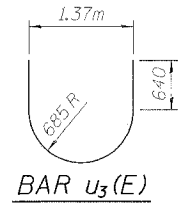
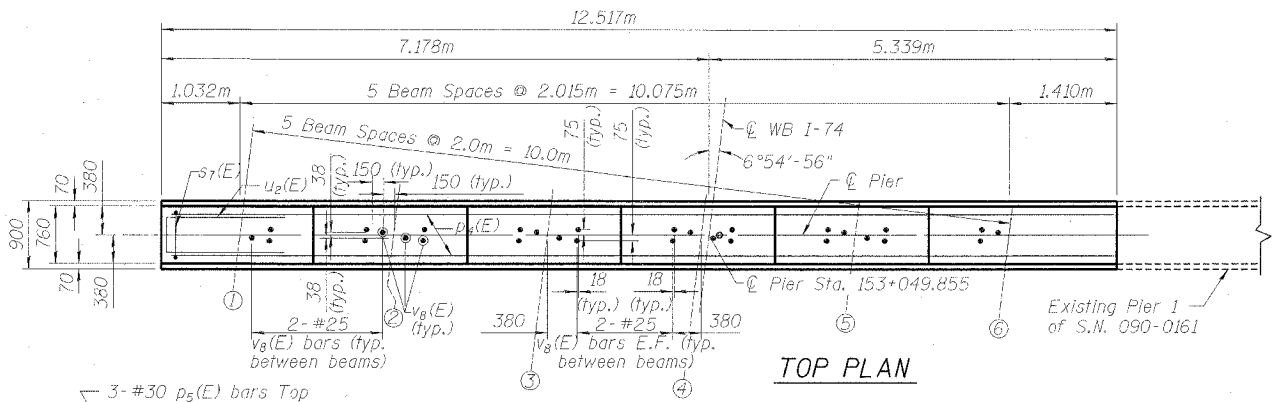
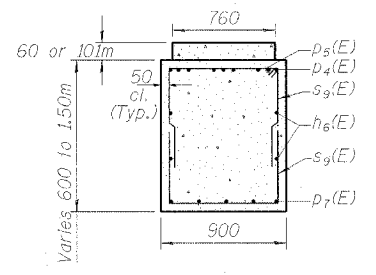
ROUTE NO.	SECTION	COUNTY	TOTAL SHEETS	SHEET NO.	SHEET NO. 19
S. B. I.	*	TAZEWELL	1366	441	25 SHEETS
F. A. I. 1-74					
FED. ROAD DIST. NO. 7	ILLINOIS	FED. AID PROJECT-			

*(90-11HB)BR

Beam No.	Elev.
1	148.541
2	148.582
3	148.615
4	148.646
5	148.620
6	148.589

Notes: Space reinforcement in cap to miss anchor bolts.
Four steps monolithically with cap.
All dimensions are in millimeters (mm), except as noted.
For anchor bolt layout see sheet 13 of 25.

* IDOT shall supply (from Stage I Construction) the unused portions of the bar splicers to the Contractor with the correct Structure Number and size on them. These formerly unused portions shall be installed by Contractor. Cost is included with "Reinforcement Bars, Epoxy Coated."



SECTION B-B

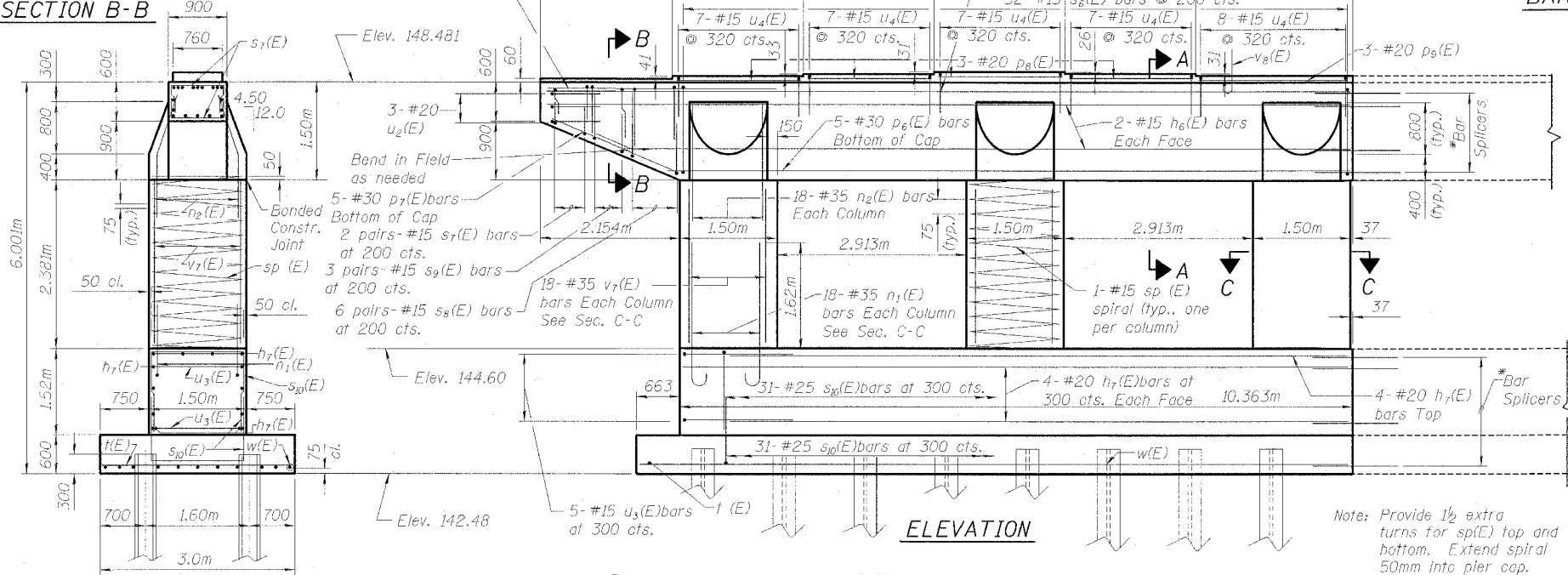
TOP PLAN

BAR u3(E)

BAR n1(E)

BAR v8(E)

SECTION A-A



ELEVATION

BARS S7(E), S8(E), S9(E)
S10(E), U2(E), U4(E)

A & B DIMENSIONS

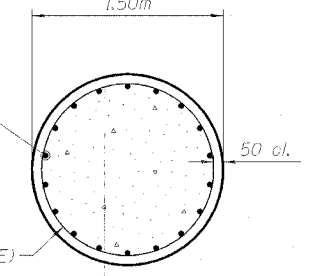
Bar	A	B
s7(E)	800	500
s8(E)	800	940
s9(E)	800	675
s10(E)	1,400	1,400
u2(E)	770	1,220
u4(E)	660	660

BILL OF MATERIAL

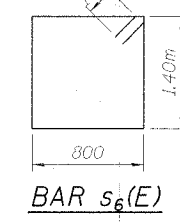
Bar	No.	Size	Length (m)	Shape
h6(E)	4	#15	12.41	—
h7(E)	12	#20	8.86	—
n1(E)	54	#35	2.78	—
n2(E)	54	#35	3.03	—
p4(E)	6	#35	12.41	—
p5(E)	3	#30	4.60	—
p6(E)	5	#30	10.26	—
p7(E)	5	#30	2.23	—
p8(E)	12	#20	1.91	—
p9(E)	3	#20	2.31	—
s6(E)	52	#15	4.68	□
s7(E)	4	#15	1.80	□
s8(E)	12	#15	2.68	□
s9(E)	6	#15	2.15	□
s10(E)	62	#25	4.20	□
sp(E)	3	#15	2.43	≡≡≡
t(E)	38	#25	2.85	—
u2(E)	3	#20	3.21	—
u3(E)	5	#15	3.43	—
u4(E)	36	#15	1.98	—
v7(E)	54	#35	2.28	—
v8(E)	30	#25	1.26	—
w(E)	11	#25	10.87	—
Furnishing Steel Piles			m	112
HP 310 x 94				
Driving Steel Piles			m	112
Braced Excavation			cu m	6.3
Concrete Structures			cu m	74.1
Reinforcement Bars, Epoxy Coated			kg	8240

Reinforcement bars designated (E) shall be epoxy coated.

A & B DIMENSIONS



SECTION C-C



BAR s6(E)

n2(E)



PIER 1
W.B. INTERSTATE 74 OVER
MAIN STREET (IL. RTE. 116)
F.A.I. ROUTE 74 - SEC. (90-11HB)BR
TAZEWELL COUNTY
STATION 153+050.716
STRUCTURE NO. 090-0160

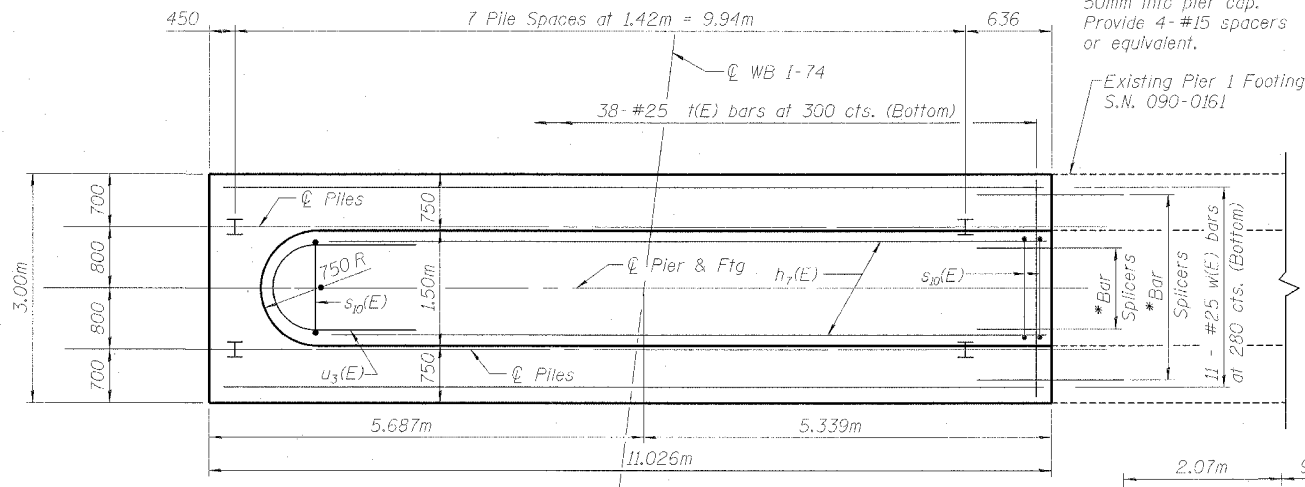
PILE DATA

Type - Steel HP 310 x 94
Capacity - Driven to Refusal
Est. Length - 7.0m
No. Req'd. - 16

MIN. BAR LAP

#15	490
#20	610
#25	1,010
#30	1,980
#35	2,820

DESIGNED	KEF
CHECKED	LVT
DRAWN	CAD
CHECKED	KEF



FOOTING PLAN