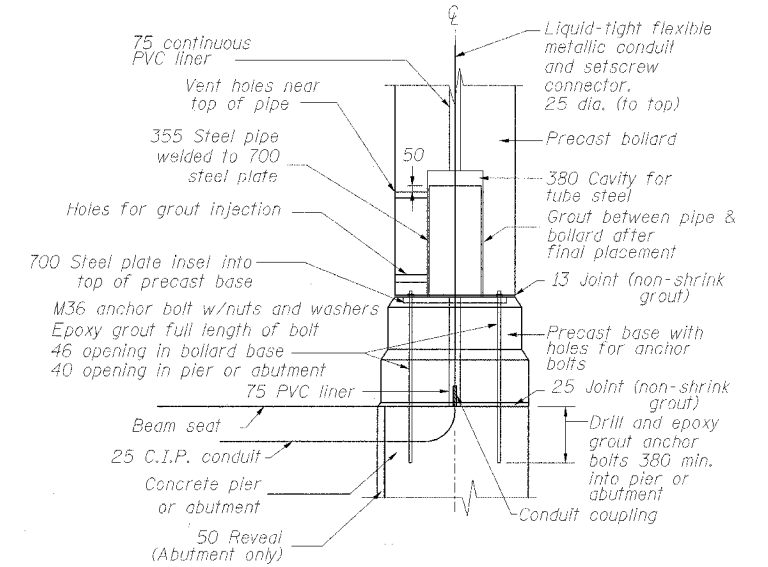
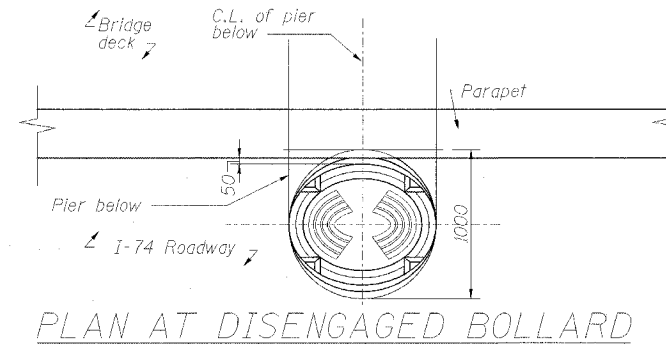
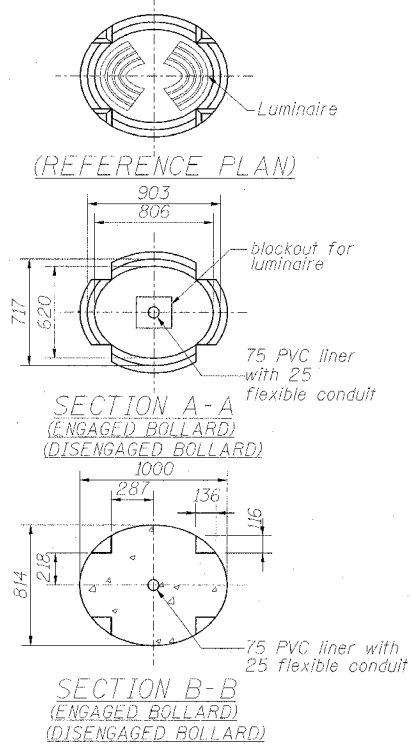
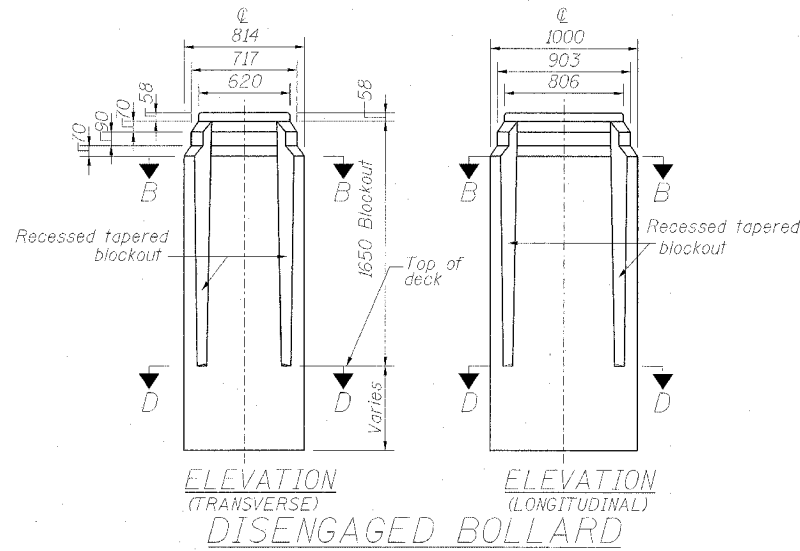
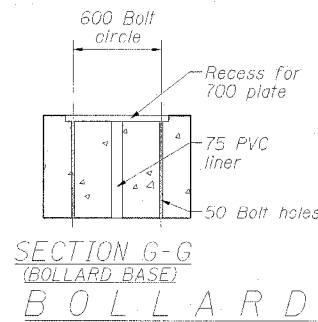
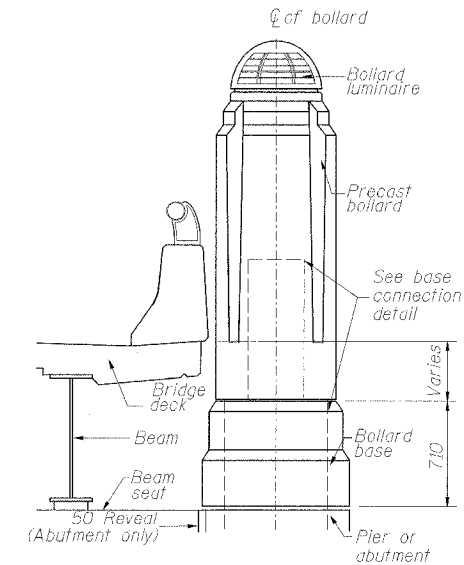
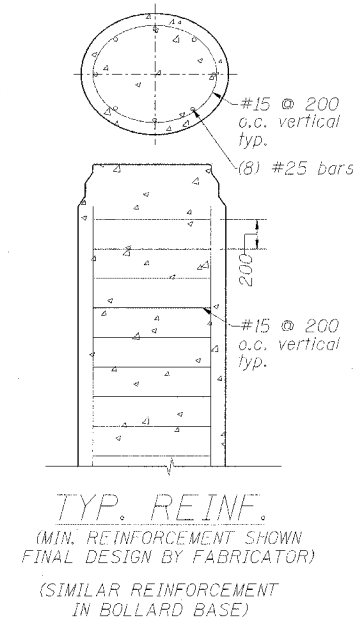
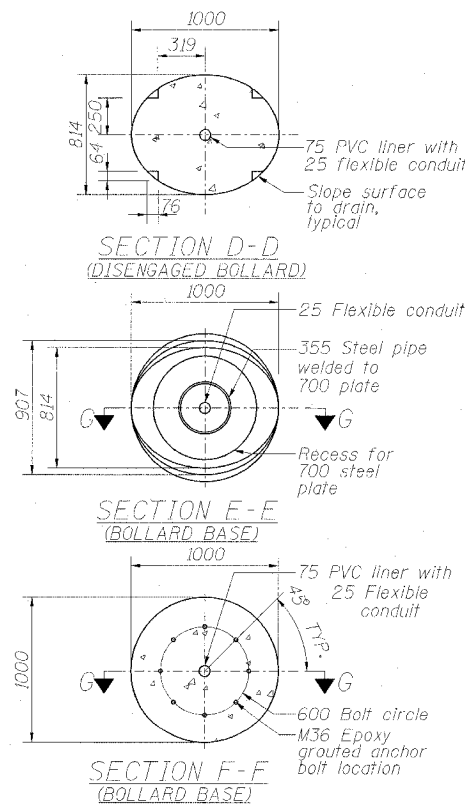
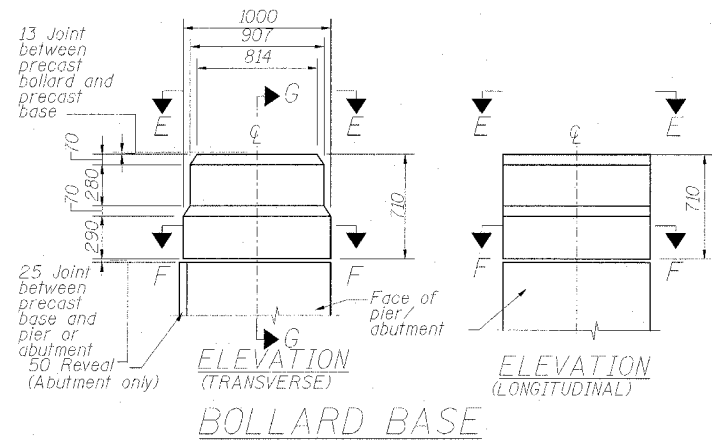


STATE OF ILLINOIS
DEPARTMENT OF TRANSPORTATION

ROUTE NO.	SECTION	COUNTY	TOTAL SHEETS	SHEET NO.	SHEET NO. 21 25 SHEETS
S. B. I.	F. A.				
I-74	*	TAZEWELL	1366	443	
FED. ROAD DIST. NO. 7	ILLINOIS	FED. AID PROJECT-	* (90-11HB)BR		



BASE CONNECTION DETAIL



BOLLARD SECTIONS

DESIGNED	KEF
CHECKED	KEF
DRAWN	CAD
CHECKED	KEF

NOTES:

- BOLLARDS, BOLLARD BASES, BOLLARD LUMINAIRES, AND CONNECTION COMPONENTS (UNLESS OTHERWISE NOTED) ARE SUPPLIED BY OTHERS. FABRICATION DETAILS AND DIMENSIONS ARE PRESENTED FOR INFORMATION ONLY. INSTALLATION IS INCLUDED IN THIS CONTRACT.
- SOME BOLLARD BASE CONNECTION DETAILS NOT SHOWN. FINAL CONNECTION DESIGN AND DETAILING BY BOLLARD FABRICATOR.
- NON-SHRINK GROUT, EPOXY GROUT, FLEXIBLE CONDUIT AND CONNECTOR, AND SILICONE JOINT SEALER TO BE SUPPLIED AND INSTALLED BY INSTALLATION CONTRACTOR.

PRECAST CONCRETE BOLLARD DETAILS
WB INTERSTATE 74 OVER
MAIN STREET (IL. RTE. 116)
F.A.I. ROUTE 74 - SEC. (90-11HB)BR
TAZEWELL COUNTY
STATION 153+050.716
STRUCTURE NO. 090-0160

