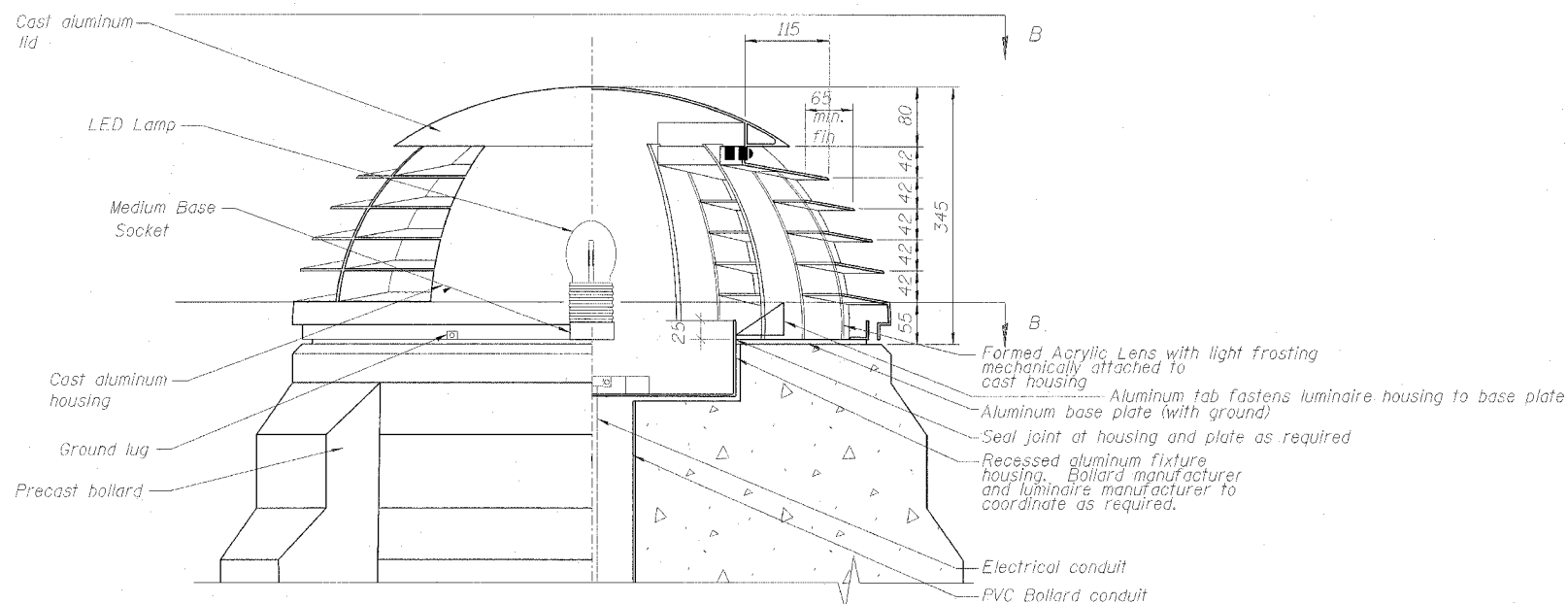


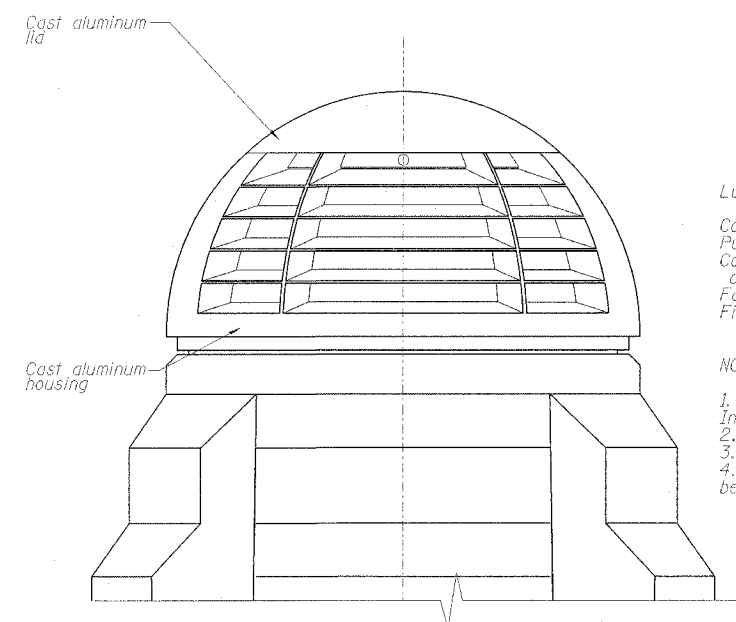
STATE OF ILLINOIS
DEPARTMENT OF TRANSPORTATION

ROUTE NO.	SECTION	COUNTY	TOTAL SHEETS	SHEET NO.
68201	*	TAZEWELL	1366	444
SHEET NO. 22				
25 SHEETS				
FED. ROAD DIST. NO. 7	ILLINOIS	FED. AID PROJECT-		

*(90-11HB)BR



LONGITUDINAL ELEVATION/SECTION A-A



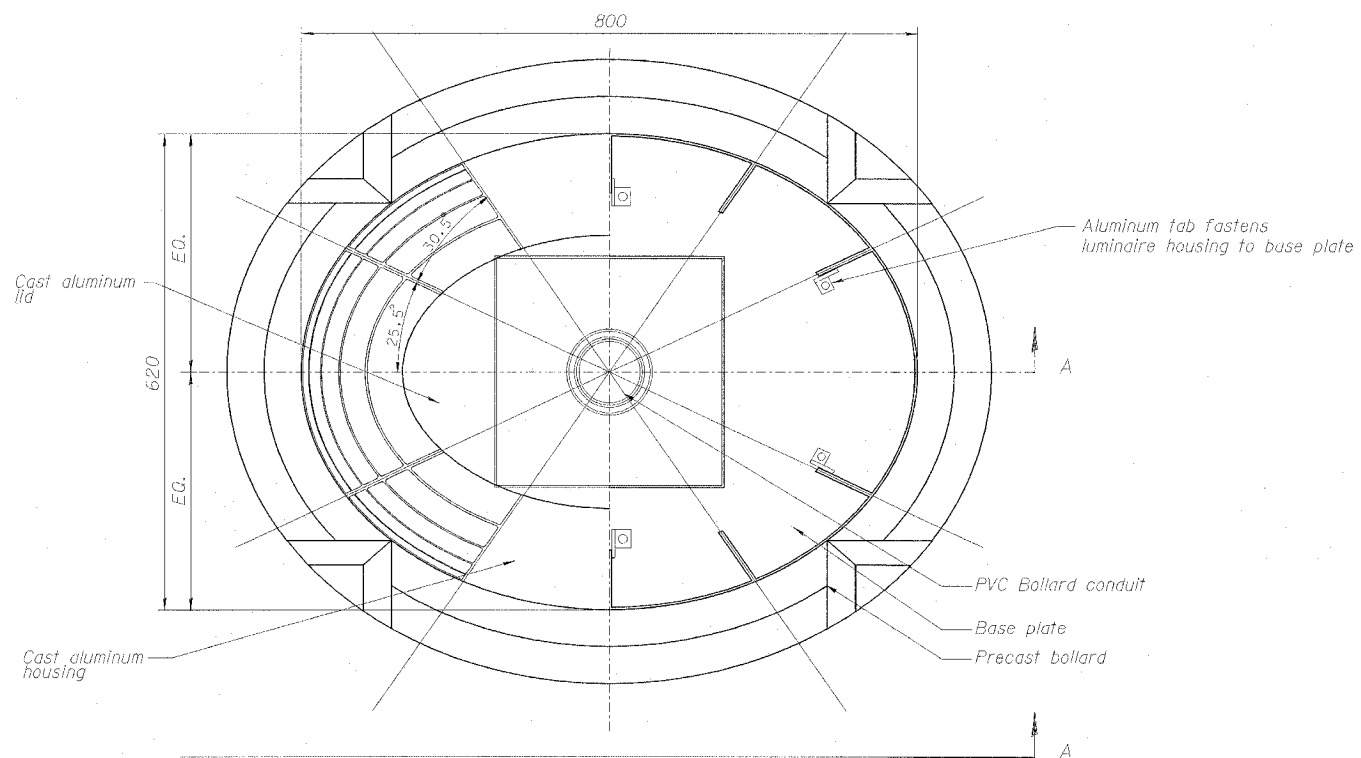
TRANSVERSE ELEVATION

Luminaire Specifications

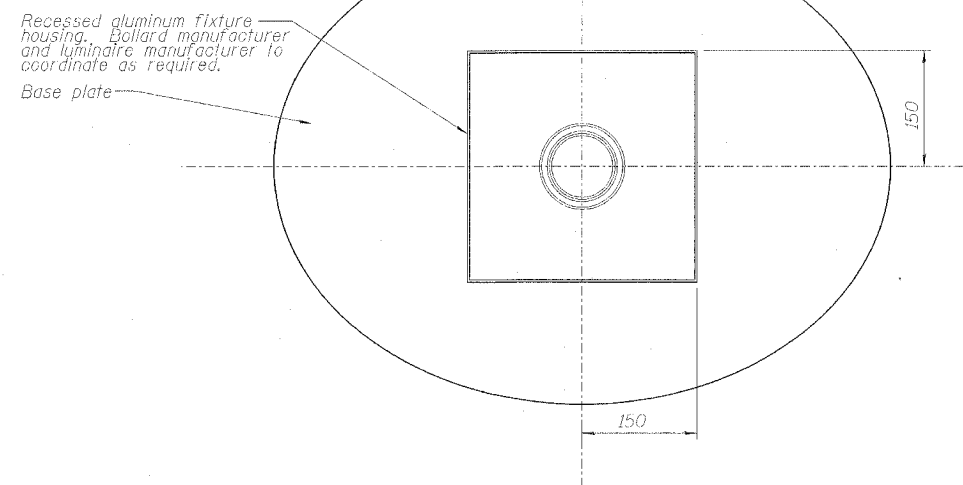
Cover: 3 thick all aluminum construction
Pull-down catches and strikes: Stainless steel
Cover Gasket: 3 thick (die cut) high density closed-cell EPDM with P.S.A. backing
Fasteners: Stainless steel, cast-in-place Heli-Coil
Finish: Factory applied - silver metallic

NOTES:

1. Luminaire supplied by others. Installation in this contract.
2. Fixture to Bear "U.L." Label suitable for wet locations"
3. Socket to be supplied with disconnect plugs.
4. Fixture supplied with vinyl coated stainless steel safety cable between cast aluminum lid and baseplate.



PLAN/SECTION B-B



PLAN

DESIGNED	KEF
CHECKED	KEF
DRAWN	CAD
CHECKED	KEF

BOLLARD LUMINAIRE DETAILS
WB INTERSTATE 74 OVER
MAIN STREET (IL. RTE. 116)
F.A.I. ROUTE 74 - SEC. (90-11HB)BR
TAZEWELL COUNTY
STATION 153+050.716
STRUCTURE NO. 090-0160

