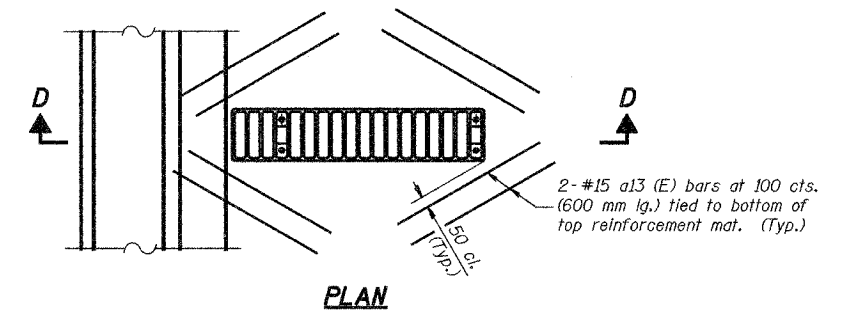
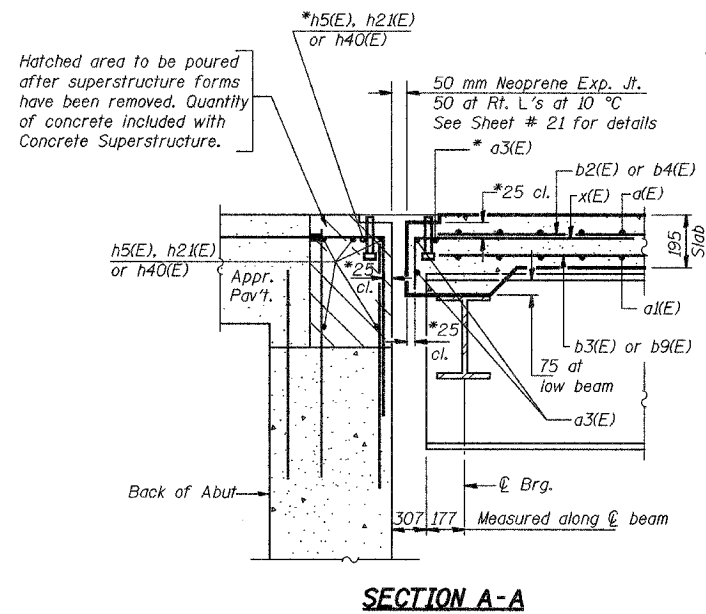
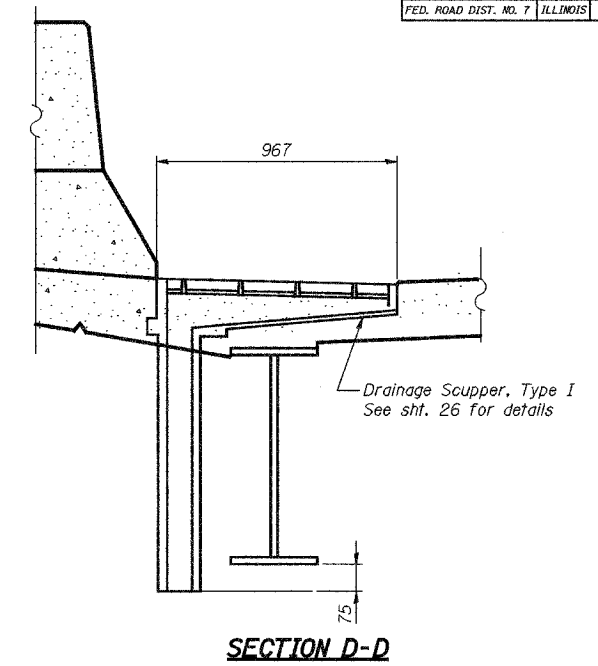
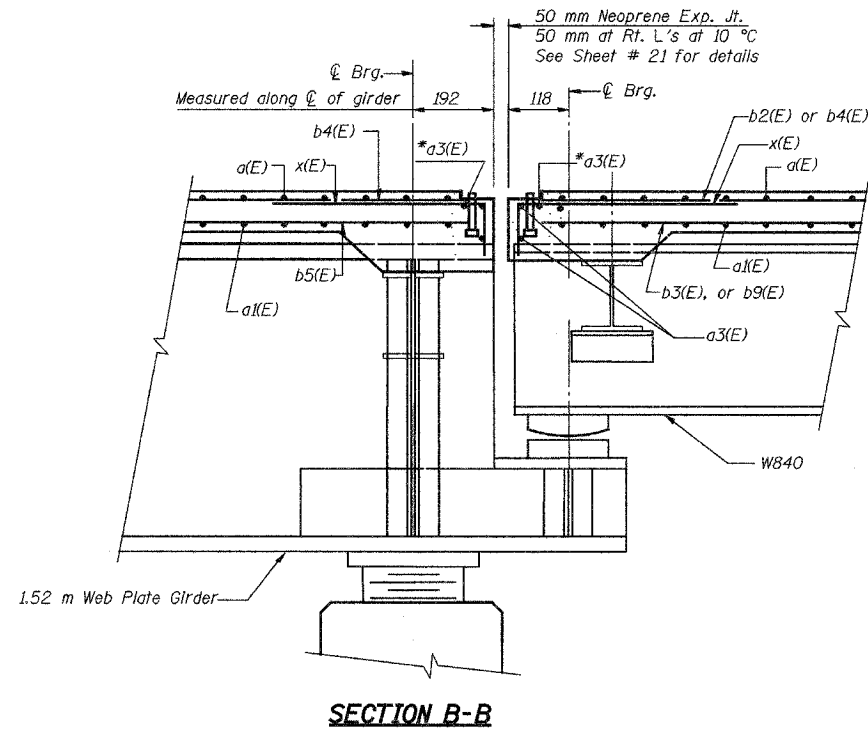


STATE OF ILLINOIS  
DEPARTMENT OF TRANSPORTATION

66201

ROUTE NO.	SECTION	COUNTY	TOTAL SHEETS	SHEET NO.
F.A.I. 74	90-13HVBY	TAZEWELL	1366	465
FED. ROAD DIST. NO. 7	ILLINOIS	FED. AID PROJECT-		

SHEET NO. 17  
68 SHEETS



Notes:  
See shts. 10 and 15 for Section A-A  
See shts. 10, 11, 14, and 15 for Section B-B.

\* Place a3(E), h5(E), h21(E) or h40(E) bars in back of anchor bolt as shown if required to maintain 25 mm cl. (+0-3 mm)  
Anchor bolts should be tied to a3(E), h5(E), h21(E) or h40(E) bars.

DECK DETAILS			
Date	Designed EV	WESTBOUND F.A.I. ROUTE 74 OVER CAMP STREET, FARM CREEK, AND TP&W RR F.A.I. RTE. 74 SECTION (90-13HVBY)BY TAZEWELL COUNTY STATION 153+625.193 STRUCTURE NO. 090-0009	Sheet No.
Revisions	Drawn EV		17
	Checked NPP		of 68
	Approved NPP		
Prepared By:	BRW, Inc. A Division of URS	1701 Golf Rd., Suite 1000 Rolling Meadows, IL.	BRW Job No. 17049-071