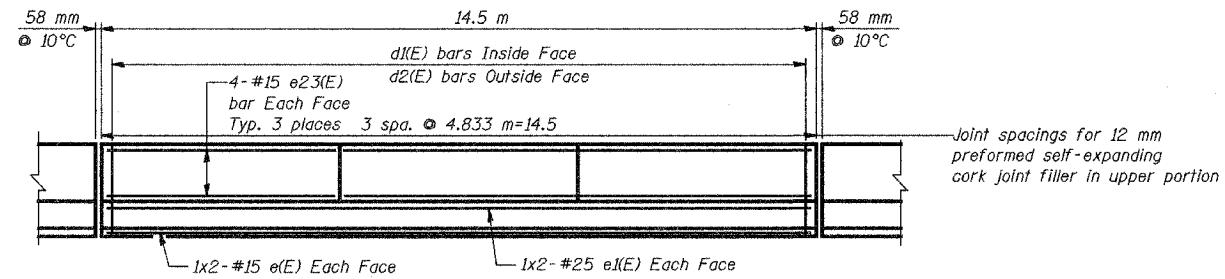


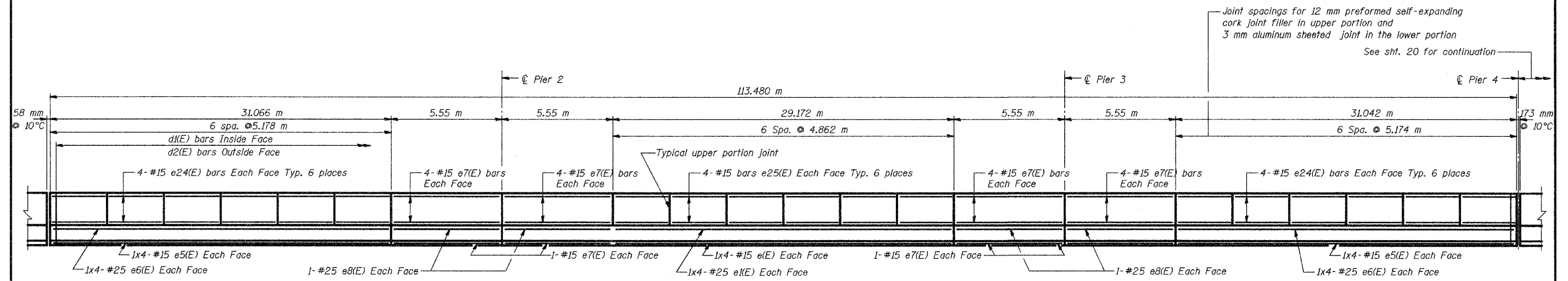
STATE OF ILLINOIS
DEPARTMENT OF TRANSPORTATION

ROUTE NO.	SECTION	COUNTY	TOTAL SHEETS	SHEET NO.
F.A.I. 74	90-13HVB/BY	TAZEWELL	1366	467
FED. ROAD DIST. NO. 7	ILLINOIS	FED. AID PROJECT-		

SHEET NO. 19
68 SHEETS



SPAN 1 PARAPET



SPANS 2, 3 & 4 PARAPET

Notes:

1. Work this sheet with sheet No's 10 through 18 & 20.
2. Reinforcement bars designated (E) shall be Epoxy Coated.
3. For Neoprene Expansion Joint Details see sheet No. 21.
4. Bars indicated thus "60x4 - #15 etc." indicates 60 lines of bars with 4 lengths per line.
5. Min. bar lap for a #15 bar shall be 510 mm, and for #25 bar shall be 1.01 m.
6. For bill of materials and reinforcement details see sht. 18.
7. For finger plate joint details see shts. 22 through 25.

PARAPET REINFORCEMENT DETAILS

Date	Designed EV	WESTBOUND F.A.I. ROUTE 74 OVER CAMP STREET, FARM CREEK, AND TP&W RR F.A.I. RTE. 74 SECTION (90-13HVB)BY TAZEWELL COUNTY STATION 153+625.193 STRUCTURE NO. 090-0009	Sheet No.
Revisions	Drawn EV		19
	Checked NPP		of 68
	Approved NPP		BRW Job No. 17049-071
Prepared By: BRW, Inc. A Division of URS		1701 Golf Rd., Suite 1000 Rolling Meadows, IL.	