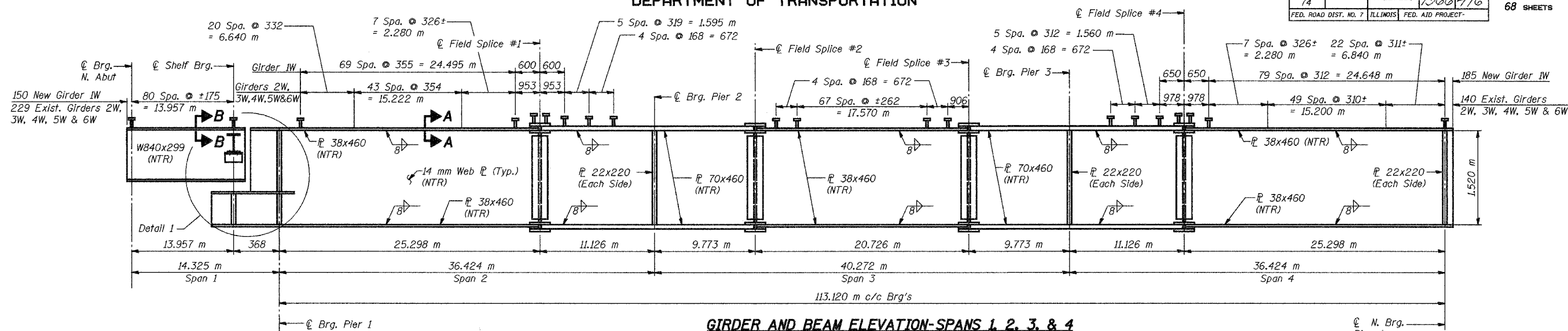


STATE OF ILLINOIS  
DEPARTMENT OF TRANSPORTATION

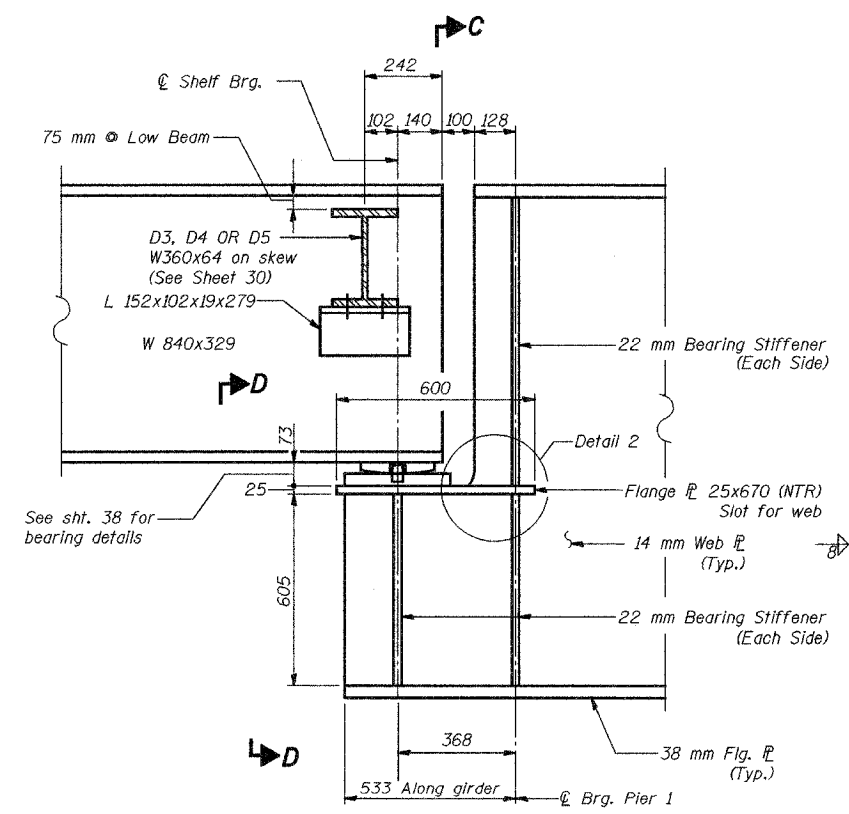
ROUTE NO.	SECTION	COUNTY	TOTAL SHEETS	SHEET NO.
F.A.I. 74	90-13HVB	TAZEWELL	1366	476
FED. ROAD DIST. NO. 7	ILLINOIS	FED. AID PROJECT-		

SHEET NO. 28  
68 SHEETS

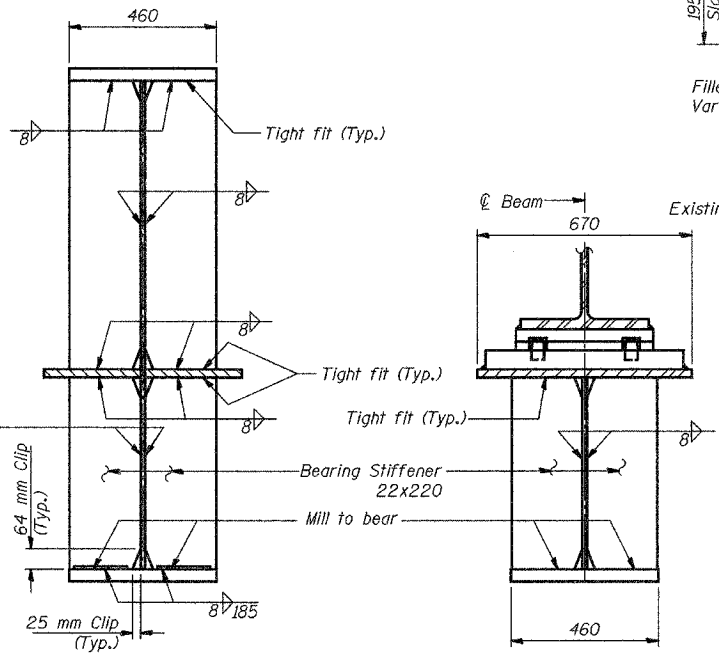


**GIRDER AND BEAM ELEVATION-SPANS 1, 2, 3, & 4**  
**GIRDER AND BEAM (1W)**

"NTR" denotes plates to which notch toughness requirements are applicable. All plates of the girders, including bearing stiffeners, shall be AASHTO M 270M, Grade 250. Cross frame connection plates are not shown. See sht. 27 & 31 for locations and details. See sht. 33 for shear connector detail on splice plate.



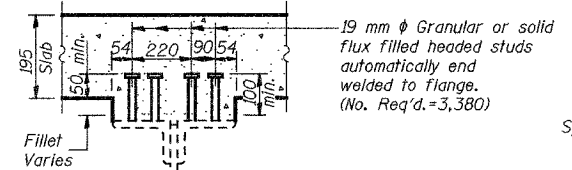
**DETAIL 1**



**SECTION C-C**

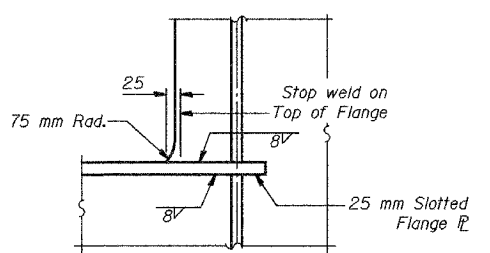
**SECTION D-D**

Notes:  
1. Work this sht. with sht. 27.  
2. See sht. 33 for bearing stiffener details.  
3. See sht. 33 for splice details.

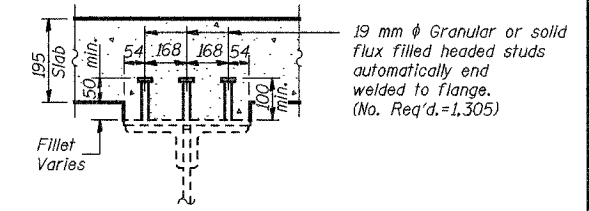


**SECTION A-A**

Existing Girders (2W), (3W), (4W), (5W) & (6W) without coverplates

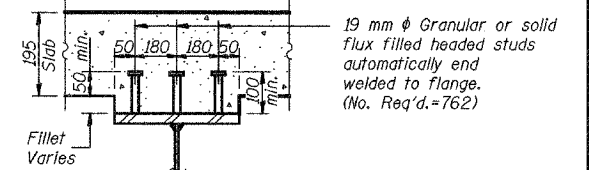


**DETAIL 2**



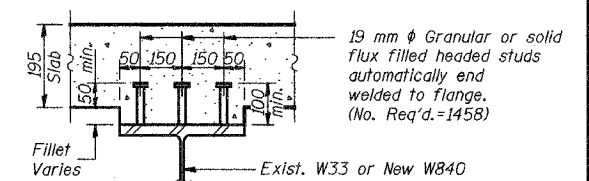
**SECTION A-A**

Existing Girders (2W), (3W), (4W), (5W) & (6W) with coverplates  
Space Connectors to miss existing rivets & end of coverplate



**SECTION A-A**

Includes Connectors for top flange splice plate  
See Detail on sht. 33



**SECTION B-B**

All Beams

**STEEL DETAILS-SPANS 1, 2, 3 & 4**

Date	Designed	AEU	WESTBOUND F.A.I. ROUTE 74 OVER CAMP STREET, FARM CREEK, AND TP&W RR F.A.I. RTE. 74 SECTION (90-13HVB)BY TAZEWELL COUNTY STATION 153+625.193 STRUCTURE NO. 090-0009	Sheet No.
Revisions	Drawn	AEU		28
	Checked	NPP		of 68
	Approved	NPP		BRW Job No.
	Prepared By:	BRW, Inc. A Division of URS		1701 Golf Rd., Suite 1000 Rolling Meadows, IL. 17049-071