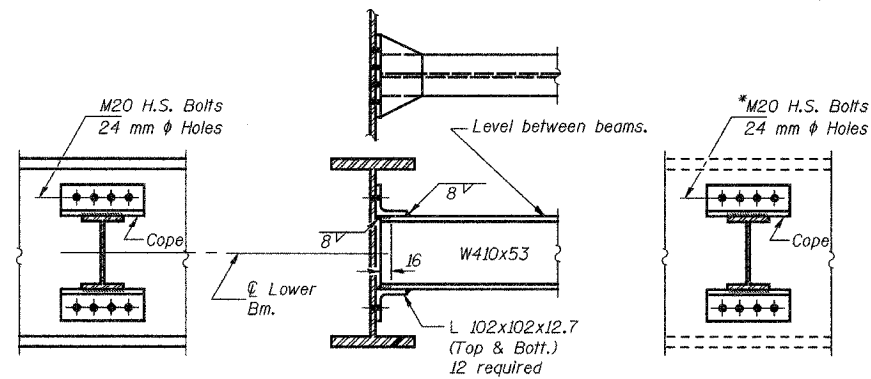


STATE OF ILLINOIS  
DEPARTMENT OF TRANSPORTATION

ROUTE NO.	SECTION	COUNTY	TOTAL SHEETS	SHEET NO.
F.A.I. 74	90-13HVB	TAZEWELL	1266	418
FED. ROAD DIST. NO. 7	ILLINOIS	FED. AID PROJECT		

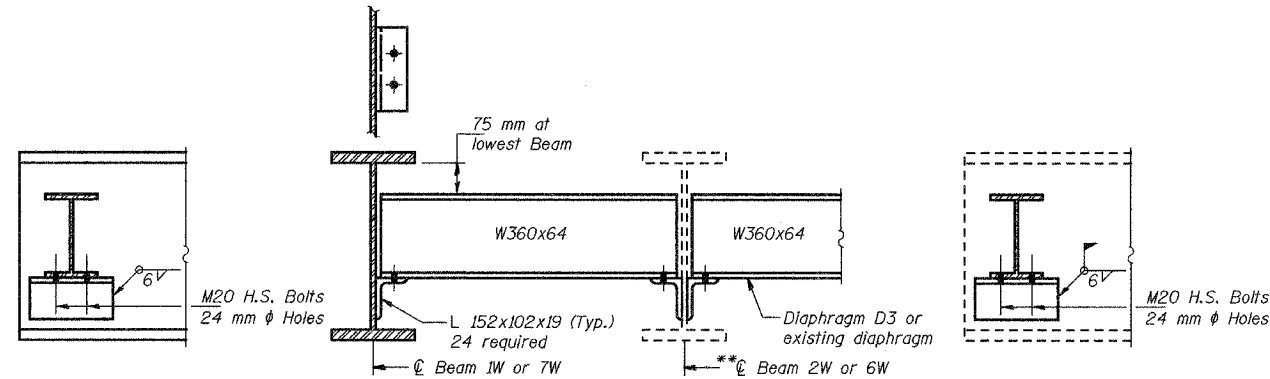
SHEET NO. 30  
68 SHEETS



**DIAPHRAGM D1 AND D2**

3-D1 Required  
3-D2 Required

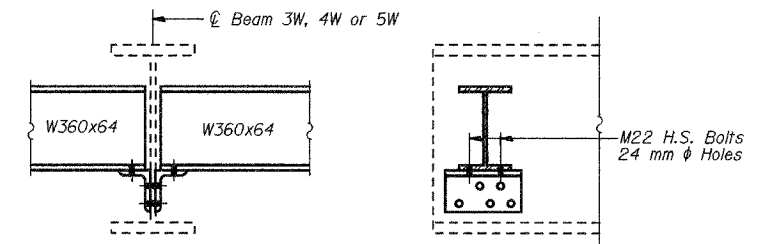
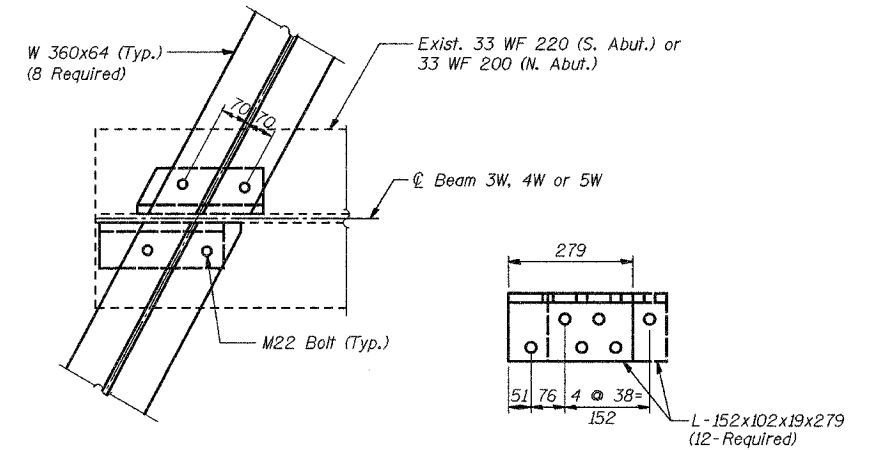
\*Use holes in vertical leg of L 102x102 as a template to field drill holes in web of existing beams 2W, 6W & 7W. Cost included in Furnishing & Erecting Structural Steel.



**DIAPHRAGM D4 & D5**

4-D4 Required  
4-D5 Required

\*\*Remove existing rivets in existing web and field weld angle to existing web of beam



**DIAPHRAGM D3**

4 Required at N. Abutment  
4 Required at S. Abutment

Use existing holes in 33 WF 220 or 33 WF 200 web as a template to field drill 24 mm  $\phi$  holes in vertical leg of angle. Use holes in W 360x64 flange as a template to field drill 24 mm  $\phi$  holes in horizontal leg of angle. Remove and replace exist. rivets with M22 bolts. Existing holes shall be reamed in the field to 24 mm  $\phi$ . Cost included with Structural Steel Removal. (Estimated No. 60).

**BILL OF MATERIAL**

Item	Unit	Total
Structural Steel Removal	kg	1,540

- Notes
1. Work this sheet with sheet 27.
  2. All dimensions are in millimeters (mm) except as noted.
  3. Two hardened washers shall be required over all oversized holes for diaphragms and crossframes.

Date	Designed	AEU	WESTBOUND F.A.I. ROUTE 74 OVER CAMP STREET, FARM CREEK, AND TP&W RR F.A.I. RTE. 74 SECTION (90-13HVB)BY TAZEWELL COUNTY STATION 153+625.193 STRUCTURE NO. 090-0009	Sheet No.
	Drawn	AEU		30
	Checked	NPP		of 68
	Approved	NPP		BRW Job No.
	Prepared By:	BRW, Inc. A Division of URS		1701 Golf Rd., Suite 1000 Rolling Meadows, IL.