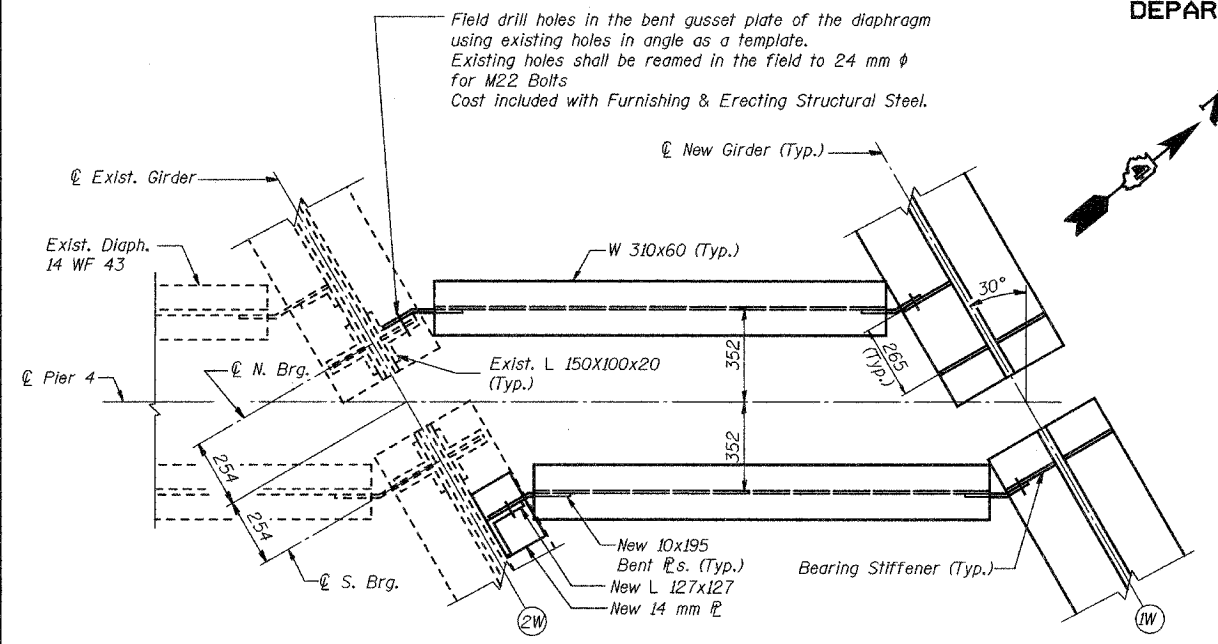


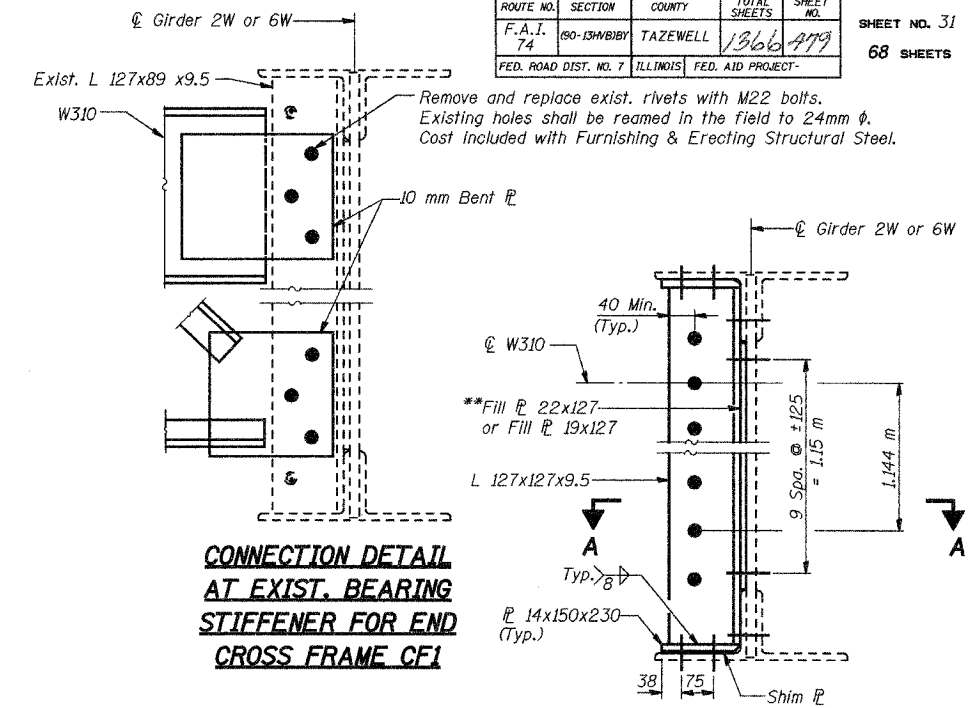
STATE OF ILLINOIS  
DEPARTMENT OF TRANSPORTATION

ROUTE NO.	SECTION	COUNTY	TOTAL SHEETS	SHEET NO.
F.A.I. 74	90-13HVBIBY	TAZEWELL	1366	31
FED. ROAD DIST. NO. 7	ILLINOIS	FED. AID PROJECT		

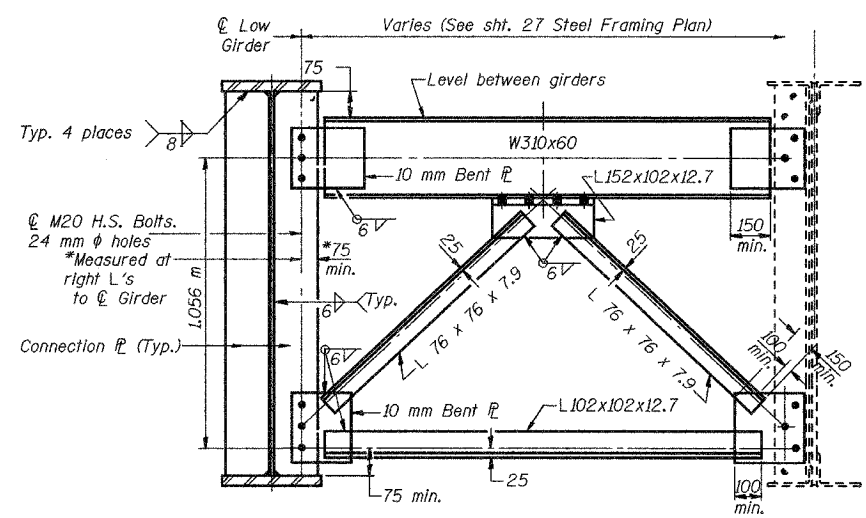
SHEET NO. 31  
68 SHEETS



TYPICAL END CROSS FRAME PLAN

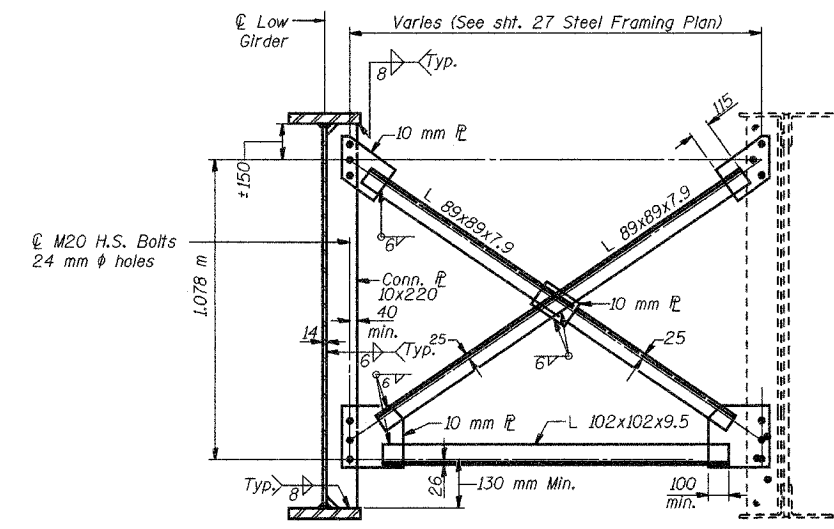


CONNECTION DETAIL AT EXIST. GIRDER FOR END CROSS FRAME CF1



TYPICAL END CROSS FRAME CF1

(All dimensions are along skew, unless otherwise noted)  
See sht. 33 for bearing stiffener details  
8 Required

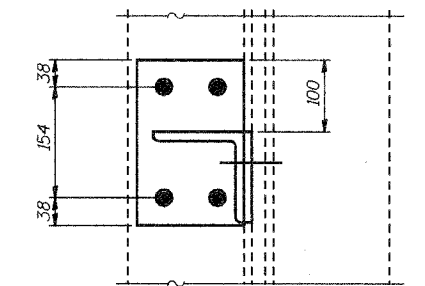


TYPICAL INTERIOR CROSS FRAME CF2

(All dimensions are measured at right L's to G Girder)  
60 Required

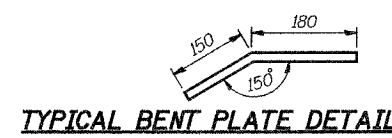
**\*\*FILL P SCHEDULE**

Location	Girder	Fill Pl (mm)
Pier 1	2W	22
Pier 4 (N)	6W	22
Pier 4 (S)	2W	19
Pier 7	6W	19



SECTION A-A

- Notes:
1. Work this sheet with sheets 27 through 29.
  2. Two hardened washers shall be required over all oversized holes for diaphragms and crossframes.
  3. Field drill holes in the stiffeners at girder TW using holes in the gusset plates as a template.



TYPICAL BENT PLATE DETAIL

CROSS FRAME DETAILS			
Date	Designed AEU	WESTBOUND F.A.I. ROUTE 74 OVER CAMP STREET, FARM CREEK, AND TP&W RR F.A.I. RTE. 74 SECTION (90-13HVBIBY) TAZEWELL COUNTY STATION 153+625.193 STRUCTURE NO. 090-0009	Sheet No.
Revisions	Drawn SOI		31
	Checked NPP		of 68
	Approved NPP		BRW Job No.
Prepared By: BRW, Inc. A Division of URS		1701 Golf Rd., Suite 1000 Rolling Meadows, IL.	17049-071