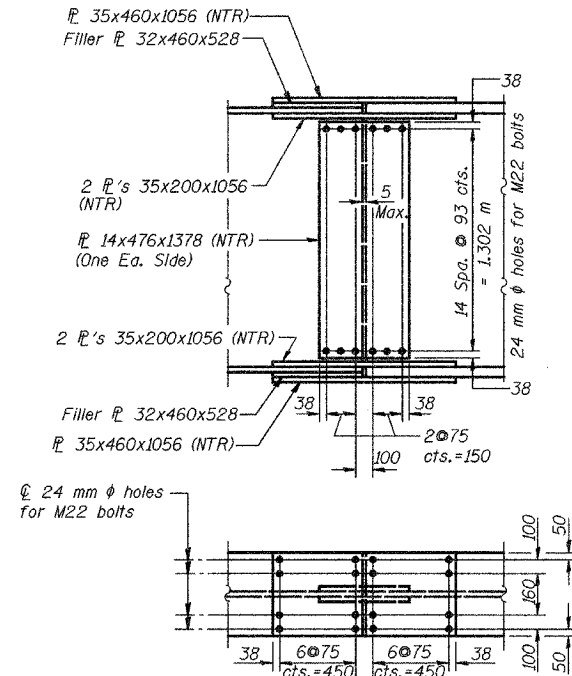


STATE OF ILLINOIS
DEPARTMENT OF TRANSPORTATION

ROUTE NO.	SECTION	COUNTY	TOTAL SHEETS	SHEET NO.
F.A.I. 74	90-13HVB	TAZEWELL	1306	481
FED. ROAD DIST. NO. 7	ILLINOIS	FED. AID PROJECT-		

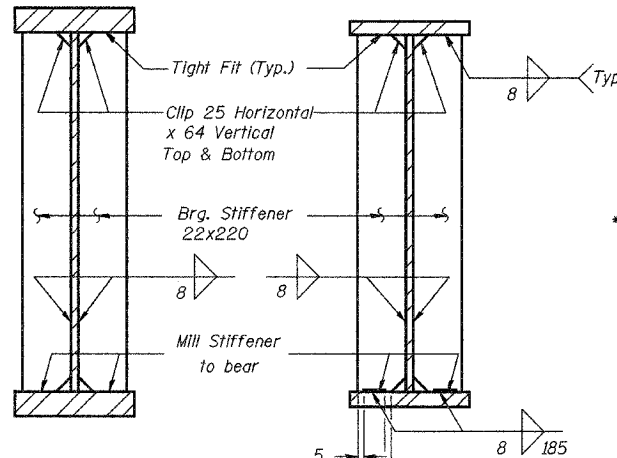


TYPICAL FIELD SPLICE DETAILS

(8-Required)

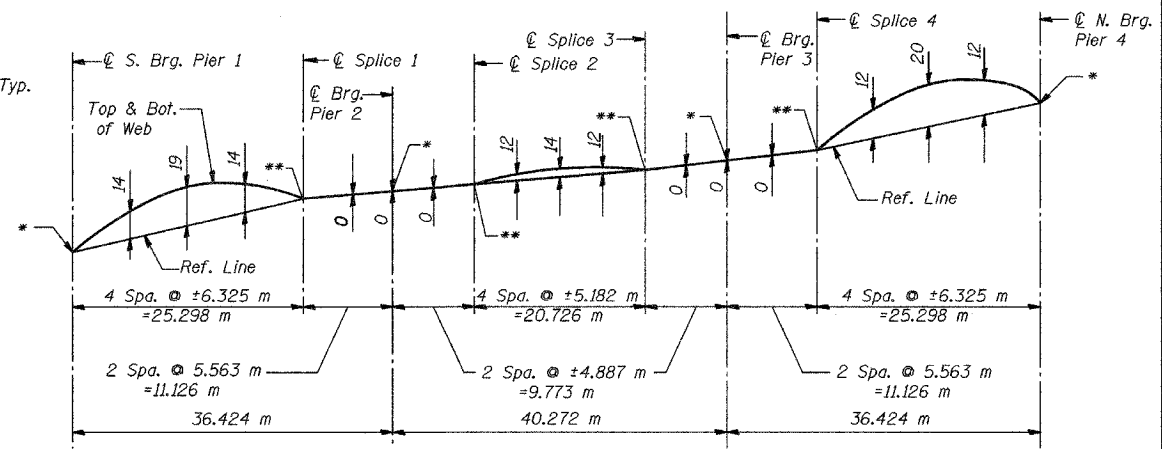
All plates, except filler plates, to meet notch toughness requirements.

SECTION AT PIERS 2, 3, 5 & 6

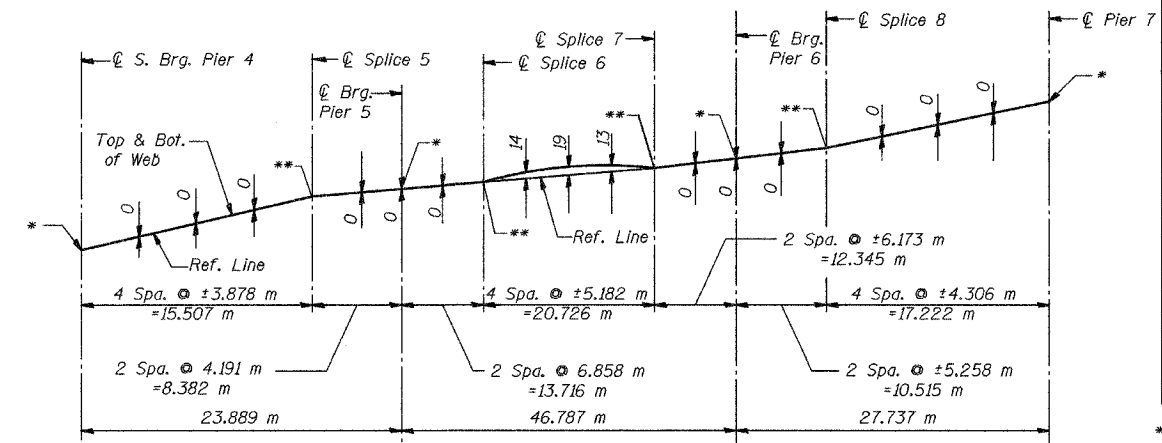


BEARING STIFFENER DETAILS

SECTION AT PIERS 4, 7



CAMBER DIAGRAM SPANS 2, 3 & 4

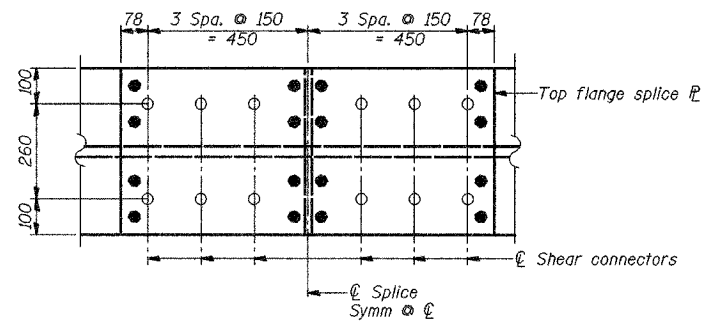


CAMBER DIAGRAM SPANS 5, 6 & 7

* Final top of web elevations to be used in computing the bearing's seat elevations.
** Theoretical elevations before Dead Load deflection.

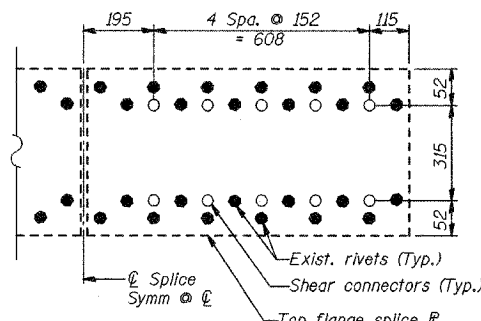
TOP OF WEB ELEVATIONS (For Fabrication Only)	
Location	Girder JW
*N. Abut.	151.836
* \bar{C} Shelf	151.948
Pier 1	151.907
Pier 2	152.131
Pier 3	152.453
Pier 4 (N)	152.811
Pier 4 (S)	152.815
Pier 5	152.891
Pier 6	152.967
Pier 7	152.952
* \bar{C} Shelf	152.995
*S. Abut.	152.900
Splice 1	152.052
Splice 2	152.201
Splice 3	152.367
Splice 4	152.551
Splice 5	152.841
Splice 6	152.971
Splice 7	153.000
Splice 8	152.941

*Top of Beam Elevations



(NEW GIRDER-1W)

PLAN - TOP FLANGE SPLICE P DETAILS FOR SHEAR CONNECTORS



(EXIST. GIRDERS-2W, 3W, 4W, 5W & 6W)

MISCELLANEOUS STEEL DETAILS

Date	Designed AEU	WESTBOUND F.A.I. ROUTE 74 OVER CAMP STREET, FARM CREEK, AND TP&W RR F.A.I. RTE. 74 SECTION (90-13HVB)BY TAZEWELL COUNTY STATION 153+625.193 STRUCTURE NO. 090-0009	Sheet No.
Revisions	Drawn AEU		33
	Checked NPP		of 68
	Approved NPP		BRW Job No.
Prepared By:	BRW, Inc. A Division of URS	1701 Golf Rd., Suite 1000 Rolling Meadows, IL.	17049-071