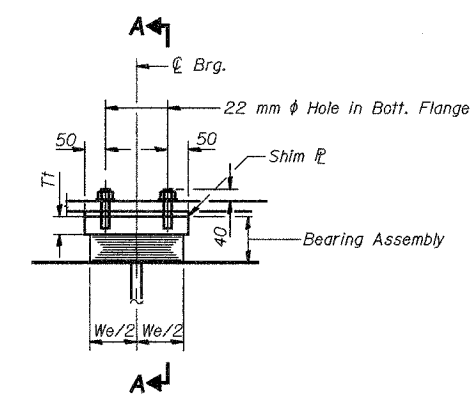


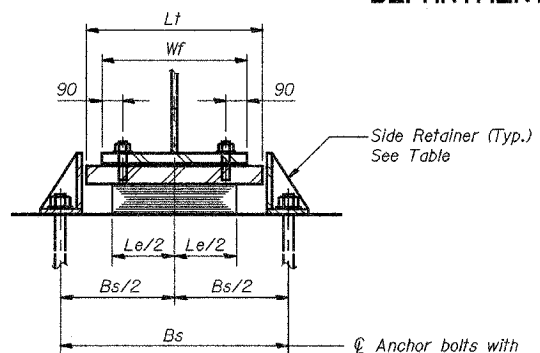
STATE OF ILLINOIS
DEPARTMENT OF TRANSPORTATION

ROUTE NO.	SECTION	COUNTY	TOTAL SHEETS	SHEET NO.
F.A.I. 74	90-13HVBY	TAZEWELL	1366	482
FED. ROAD DIST. NO. 7	ILLINOIS	FED. AID PROJECT		

SHEET NO. 34
68 SHEETS



ELEVATION AT PIER



SECTION A-A

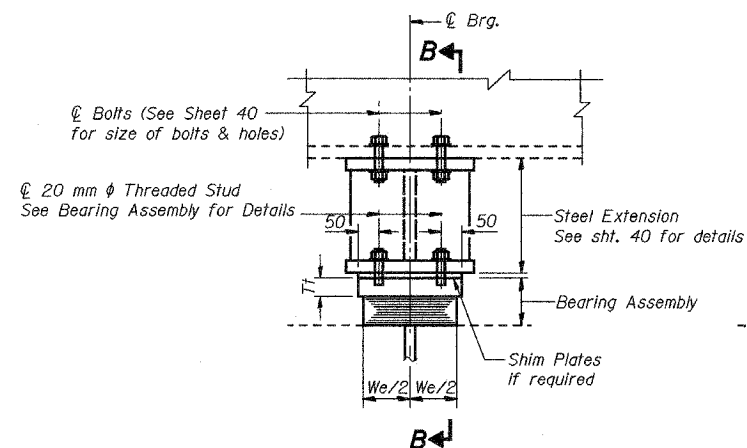
TYPE I ELASTOMERIC EXP. BRG. AT PIERS 1 & 7

(AT NEW GIRDER)

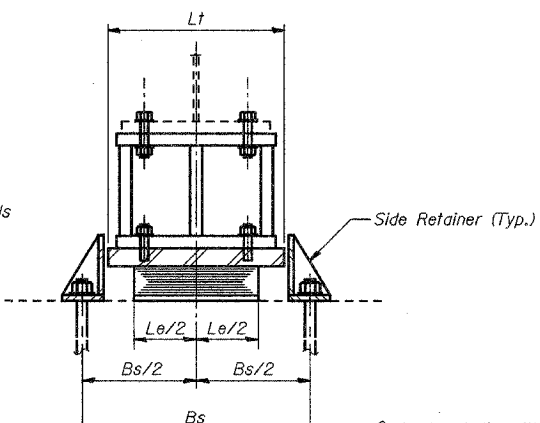
1 Required at Pier 1
1 Required at Pier 7

TYPE I BEARING DIMENSION SCHEDULE

Location	Girder	Bearing								Top Plate			Bs	Th	Wf
		We	Le	Tp	Np	Ts	Ns	Te	f	Wt	Lt	Tt			
Pier 7	IW-6W	280	406	13	5	3	4	77	86	304	460	55	586	132	460
Pier 1	IW-6W	306	458	14	6	5	5	109	86	330	510	70	656	179	460



ELEVATION AT PIER



SECTION B-B

TYPE I ELASTOMERIC EXP. BRG. AT PIERS 1 & 7

(AT EXISTING GIRDERS)

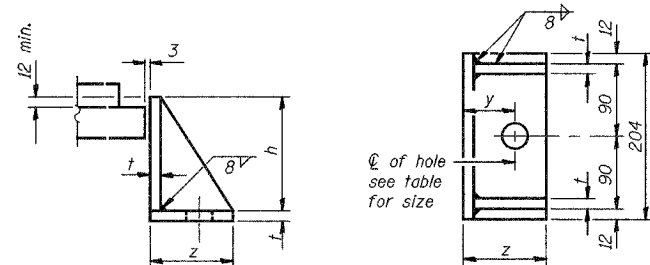
5 Required at Pier 1
5 Required at Pier 7

SIDE RETAINER SCHEDULE

Location	Girder	Anchor Bolt Dia. x Length	Plate Washer	Hole Size φ (mm)	Side Retainer			
					y	z	t	h
Pier 7	IW-6W	M30x380 (A307)	65x65x8	38	60	120	14	130
Pier 1	IW-6W	M36x450 (A307)	75x75x8	44	70	140	16	175

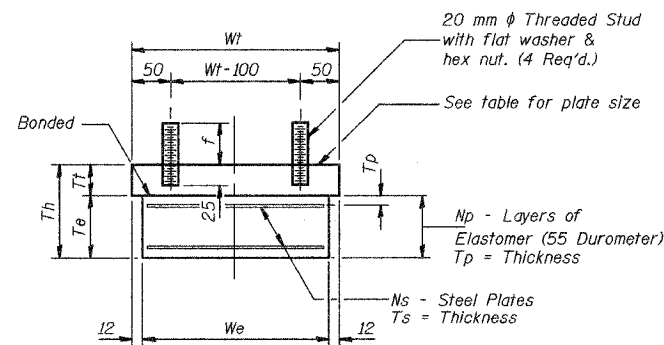
Notes:

- The cost of furnishing and erecting elastomeric bearing assemblies, including threaded studs, is included in the cost of Elastomeric Bearing Assembly Type I. The cost of furnishing and erecting side retainers, anchor bolts and shim plates of elastomeric bearings is included in the cost of Furnishing and Erecting Structural Steel.
- Adjusting shims shall be placed as required during erection. The cost of furnishing and erecting adjusting shims is included in the cost of Furnishing and Erecting Structural Steel. See General Note 11, Sheet 3.
- All dimensions are in millimeters (mm) except as noted.
- The cost of removal of the existing bearings is included in the cost of Jack and Remove Existing bearings. See sheet 39 for jacking details.



SIDE RETAINER

Equivalent rolled angle with stiffeners will be allowed in lieu of welded plates. Mass included with Structural Steel.



TYPE I BEARING ASSEMBLY

Note: Shim plates shall not be placed under Bearing Assembly.

BILL OF MATERIAL

Item	Unit	Total
Elastomeric Bearing Assembly, Type I	Each	12

TYPE I ELASTOMERIC BEARING DETAILS

Date	Designed AEU	WESTBOUND F.A.I. ROUTE 74 OVER CAMP STREET, FARM CREEK, AND TP&W RR F.A.I. RTE. 74 SECTION (90-13HVBY) TAZEWELL COUNTY STATION 153+625.193 STRUCTURE NO. 090-0009	Sheet No.
Revisions	Drawn AEU		34
	Checked NPP		of 68
	Approved NPP		BRW Job No.
			17049-071
Prepared By: BRW, Inc. A Division of URS		1701 Golf Rd., Suite 1000 Rolling Meadows, IL.	